

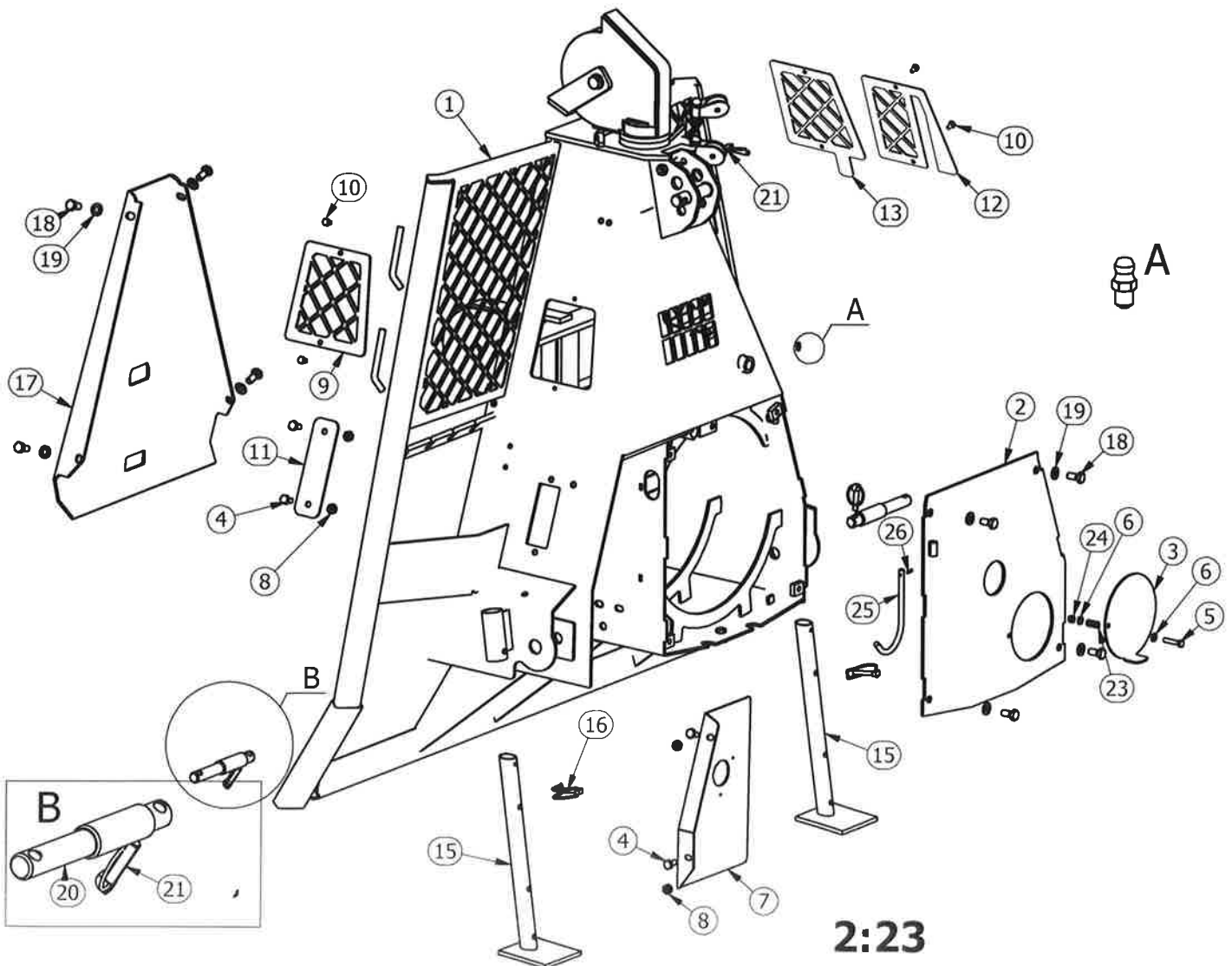


IGLAND 55A

Parts Catalogue

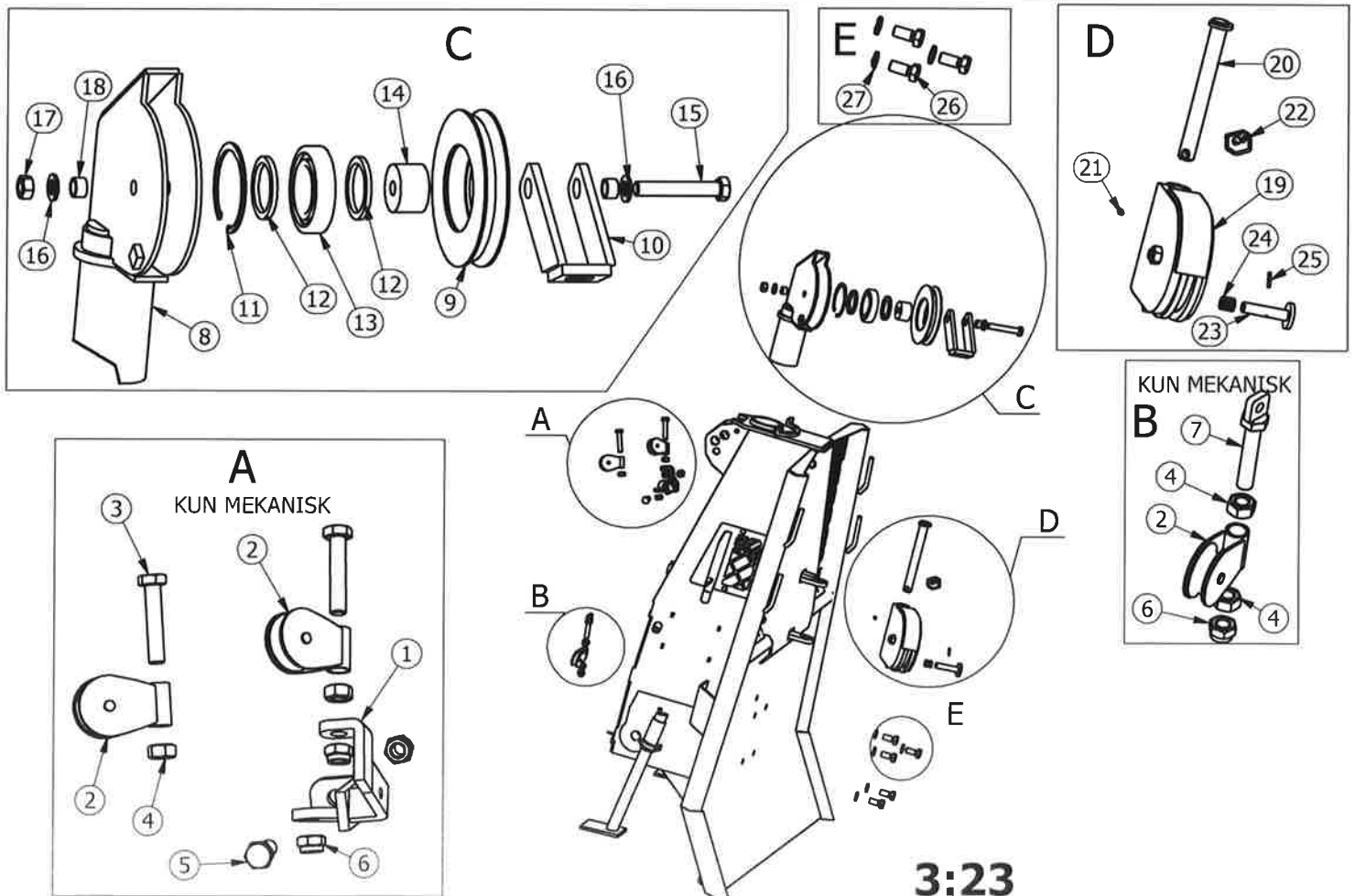
RESERVEDELSLISTE - SPARE PARTS LIST - ERSATZTEILLISTE

Pos	Art.No.	No	Beskrivelse	Description	Bezeichnung
1	153230	1	Chassis	Chassis	
2	153234	1	Frontdeksel	Cover	
3	153235	1	Lokk	Cover	
4	012800	4	Bolt	Hex-Head Bolt	
5	012166	1	Bolt	Hex-Head Bolt	
6	012194	2	Skive	Washer	
7	153233	1	PTO Deksel	Vover	
8	012231	4	Mutter	Hex Nut	
9	153237	1	Sideskjerm (kun mekanisk)	Cover (only mec.)	
10	012758	4	Bolt	Hex-Head Bolt	
11	153238	1	Deksel (kun mekanisk)	Cover (only mec)	
12	153239	1	Sideskjerm (kun mekanisk)	Cover (only mec)	
13	153244	1	Sideskjerm (kun LHP)	Cover (only LHP)	
15	163538	2	Parkeringsbein	Parking leg	
16	021006	2	Låsepinne	Locking pin	
17	153236	1	Bakdeksel	Cover	
18	012842	8	Bolt	Hex-Head Bolt	
19	012274	8	Skive	Washer	
20	021320	2	Trekstagsbolt	Bolt	
21	021004	3	Orepinne	Locking pin	
23	027210	1	Trykkfjær	Spring	
24	012198	1	Mutter	Hex Nut	
25	153232	1	Bøyle PTO	PTO hook	
26	020815	1	Spennhylse	Pin	



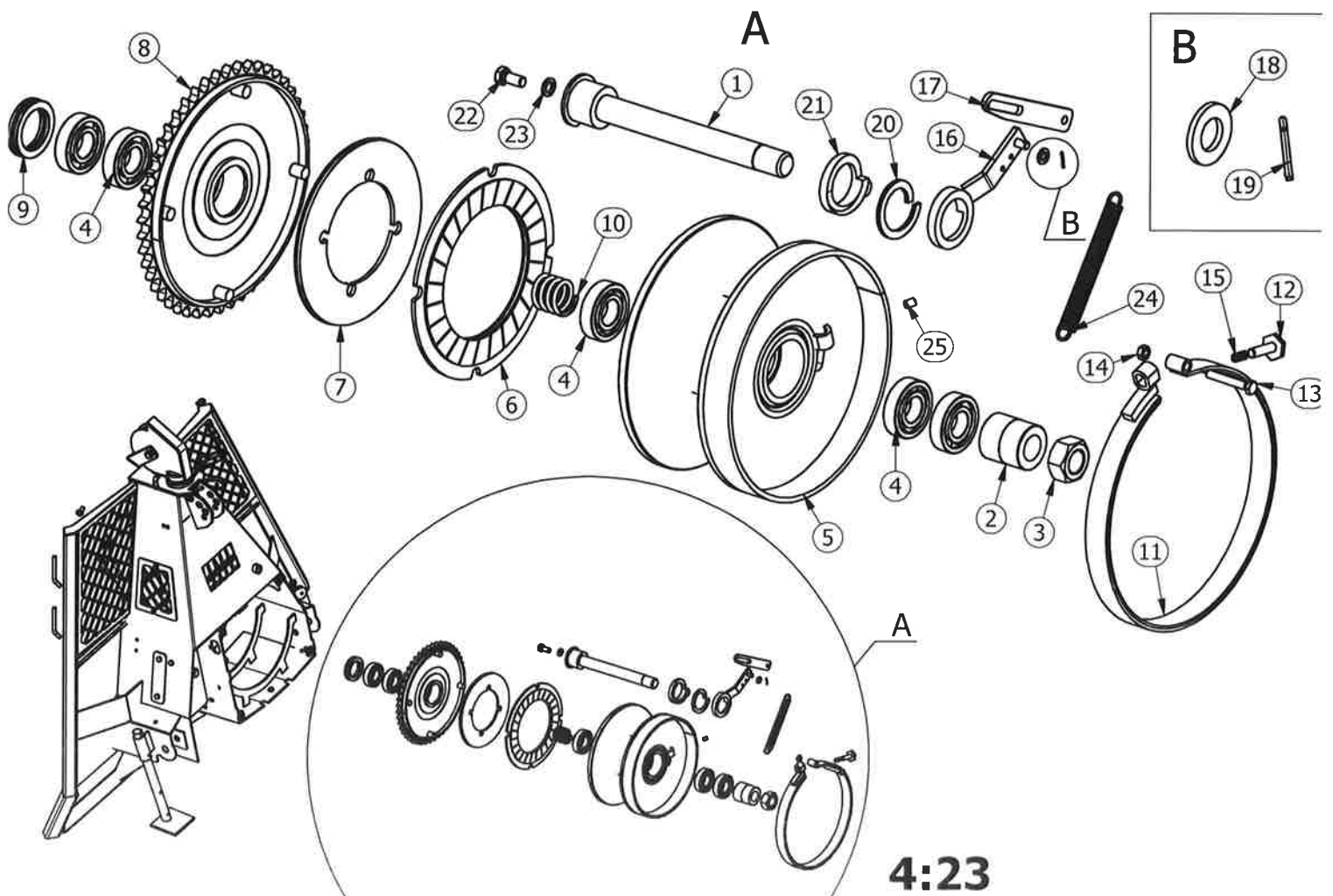
RESERVEDELSLISTE - SPARE PARTS LIST - ERSATZTEILLISTE

Pos	Art.No.	No	Beskrivelse	Description	Bezeichnung
1	153310	1	Brakett for snorbetjening	Bracket for	
2	145071	3	Trinse, kpl. for snorbetjening	Pulley, cpl. for cord operation	
3	012250	2	Bolt	Hex-Head Bolt	
4	012277	6	Mutter	Hex Nut	
5	012843	1	Bolt	Hex-Head Bolt	
6	012270	4	Mutter	Hex Nut	
7	153311	1	Feste for trinsehjul	Bracket for pulley wheel	
-	153250	1	Toppblokk, komplett	Top block, cpl.	
8	153252	1	Blokkhus for toppblokk	Emnesrør Ø85/60 L=170	
9	180255	1	Trinsehjul	Pulley wheel	
10	153254	1	Wirestyring	Wire control	
11	026920	1	Seegerring	Circlip	
12	180256	2	Utforsingsring	Distance ring	
13	026036	1	Lager, kule	Bearing	
14	180257	1	Foring	Sleeve	
15	012335	1	Bolt	Hex-Head Bolt	
16	012354	2	Skive	Washer	
17	012350	1	Mutter	Hex Nut	
18	158367	2	Hylse	Sleeve	
19	153260	1	Inntreksblokk, komplett	Block, cpl.	
20	153261	1	Opplagringsbolt	Bolt	
21	017403	2	Smørenippel	Lubricating Nipple,	
22	021005	1	Orepinne	Locking pin	
23	153262	1	Bolt for wirestopp	Bolt for wire stop	
24	027212	1	Fjær	WIRE SPRINGS	
25	020816	1	Spennhylse	Spring-Type Straight Pin	
26	012924	5	Bolt	Hex-Head Bolt	
27	012355	5	Skive, fjær	Spring Washer	



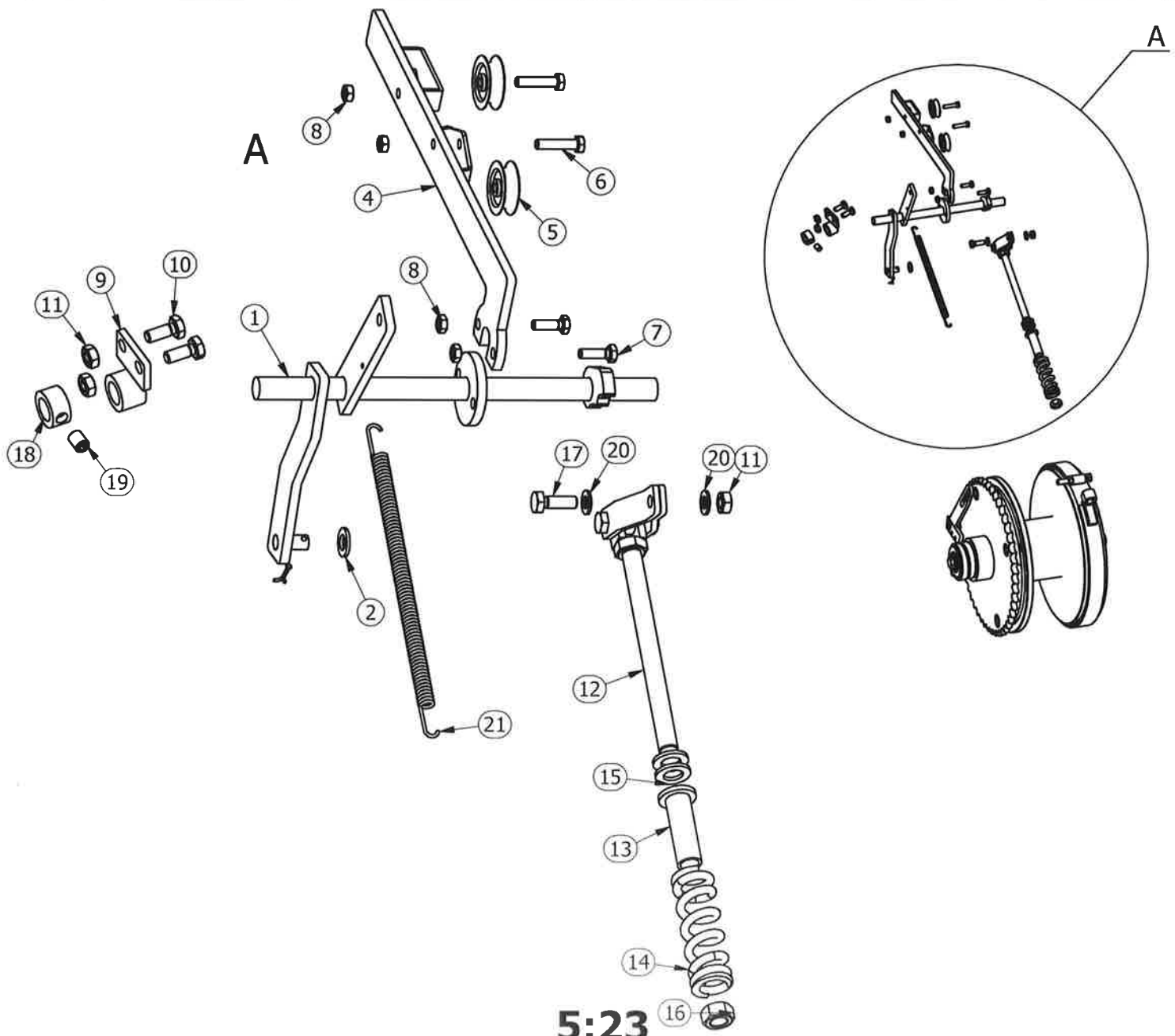
RESERVEDELSLISTE - SPARE PARTS LIST - ERSATZTEILLISTE

Pos	Art.No.	No	Beskrivelse	Description	Bezeichnung
1	153241	1	Aksel, hoved	Axel, main	
2	153242	1	Hylse	Sleeve	
3	017166	1	Mutter	Hex Nut	
4	026065	5	Lager	Bearing	
5	153610	1	Trommel	Drum	
6	153616	1	Clutchplate, ytre (m/2 lameller)	Clutchplate, outer (w/2 lamells)	
7	153614	1	Clutchplate, indre (m/1 lamell)	Clutchplate, inner (w/ 1 lamell)	
8	153612	1	Kjedehjul	Chainwheel	
9	026350	1	Lager, kule, aksial	Bearing	
10	153046	1	Trykkfjær	Spring	
11	153240	1	Bremseband	Brake band	
12	155010	1	Strammebolt på bremseband	Tension bolt	
13	153248	1	Bolt, spesial	Hex-Head Bolt	
14	012270	1	Mutter	Hex Nut	
15	027210	1	Trykkfjær	Spring	
16	153249	1	Ekspansjonsarm	Expansion rod	
17	153556	1	Mellomarm clutch	Arm clutch	
18	012274	1	Skive	Washer	
19	021045	1	Splint	Split Pin	
20	026363	1	Lager, rulle, splittet	Bearing	
21	122026	1	Ekspansjonsring	Eksoansion ring	
22	012924	1	Bolt	Hex-Head Bolt	
23	012355	1	Skive, fjær	Spring Washer	
24	027282	1	Fjær	Spring	
25	015566	1	Låsebolt	Hexagon Socket Set Screw	



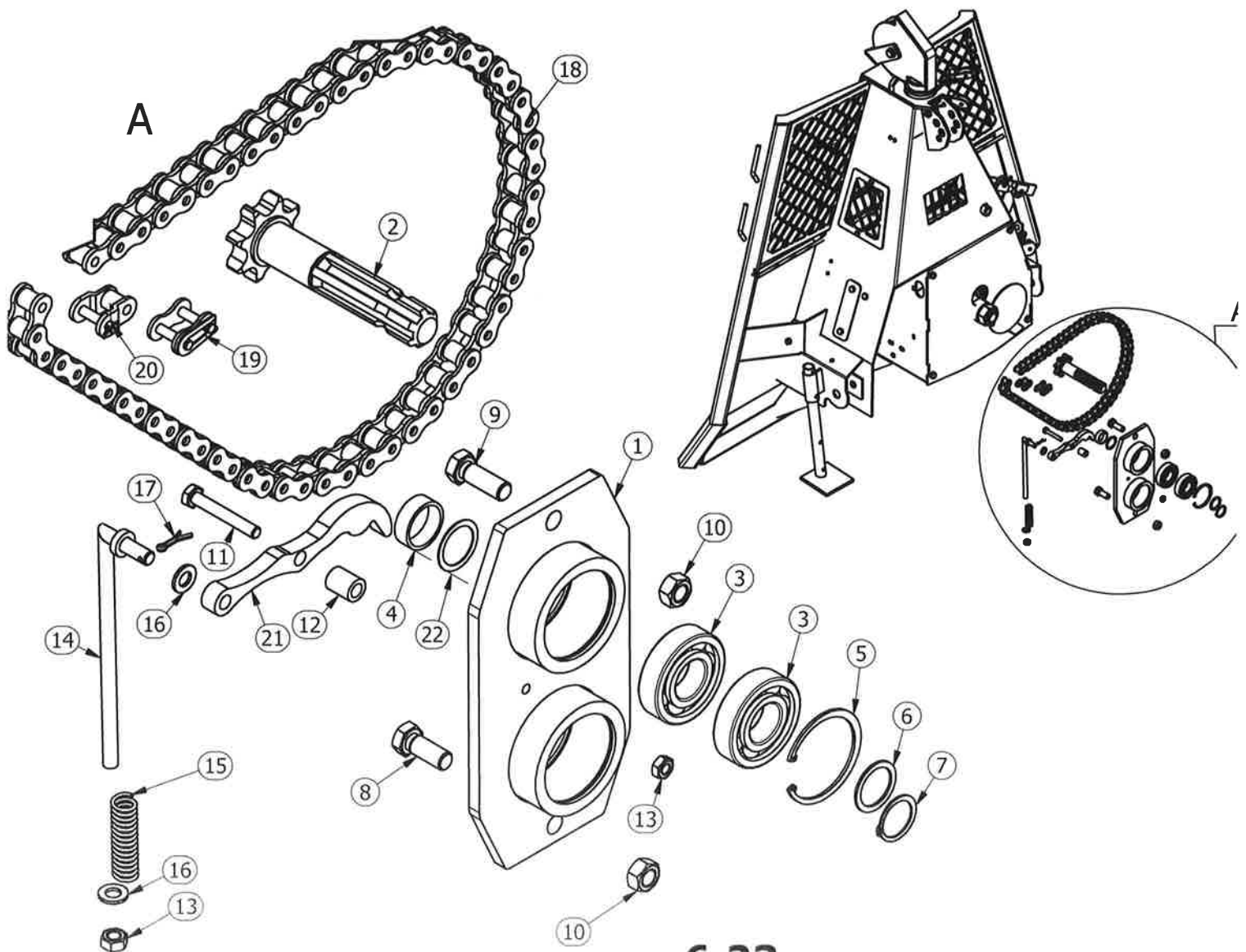
RESERVEDELSLISTE - SPARE PARTS LIST - ERSATZTEILLISTE

Pos	Art.No.	No	Beskrivelse	Description	Bezeichnung
1	153245	1	Eksenteraksel	Eccentric axel	
2	012274	1	Skive	Washer	
4	153246	1	Spak, (kun mekanisk)	Rod (only mec)	
5	145072	2	Trinsehjul, (kun mekanisk)	Pulley wheel (only mec)	
6	153259	2	Bolt, (kun mekanisk)	Hex-Head Bolt	
7	012762	2	Bolt, (kun mekanisk)	Hex-Head Bolt	
8	012198	4	Mutter, (kun mekanisk)	Hex Nut	
9	153247	1	Opplagringshylse	Sleeve	
10	012802	2	Bolt	Hex-Head Bolt	
11	012231	3	Mutter	Hex Nut	
12	143095	1	Bolt for brems, kpl	Bolt for brake, cpl.	
13	156135	1	Hylse	Sleeve	
14	027295	1	Fjær	Spring	
15	012354	2	Skive	Washer	
16	012350	1	Mutter	Hex Nut	
17	153258	1	Bolt	Hex-Head Bolt	
18	143081	1	Stopphylse	Stop sleeve	
19	015776	1	Skrue, unbrako	Hexagon Socket Set Screw	
20	012235	2	Skive	Washer	
21	027251	1	Fjær, (kun LHP)	Spring (LHP only)	



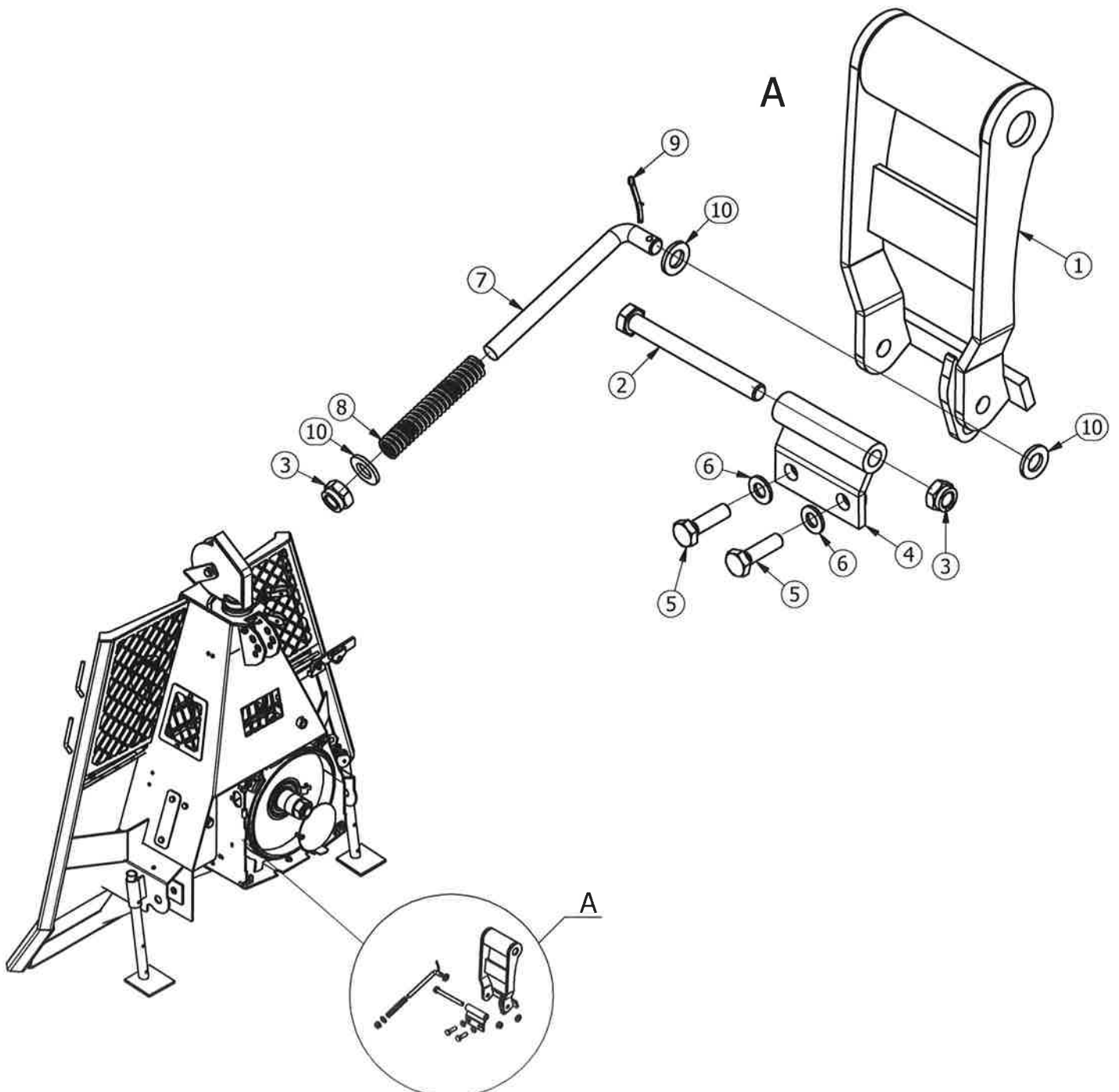
RESERVEDELSLISTE - SPARE PARTS LIST - ERSATZTEILLISTE

Pos	Art.No.	No	Beskrivelse	Description	Bezeichnung
1	153265	1	Lagerplate	Bearing plate	
2	153566	1	Rilletapp m/kjedehjul	Spline axel w/chain wheel	
3	026063	2	Lager	Bearing	
4	153568	1	Hylse	Sleeve	
5	026909	1	Seegering	Circlip	
6	031336	1	Shims	Shim	
7	026719	1	Seegering	Circlip	
8	012325	1	Bolt	Hex-Head Bolt	
9	012326	1	Bolt	Hex-Head Bolt	
10	012350	2	Mutter	Hex Nut	
11	012251	1	Bolt	Hex-Head Bolt	
12	153266	1	Avstandstykke	Distance part	
13	012270	2	Mutter	Hex Nut	
14	153267	1	Stag for kjedestrammer	Rod for chain tensioner	
15	158099	1	Fjær	Spring	
16	012274	1	Skive	Washer	
17	021045	1	Splint	Split Pin	
18	070382	1	Kjede 1" 58 ledd	Chain	
19	070397	1	Kjedelås 1"	Chain lock	
20	070398	1	Halvledd 1"	Chain half part	
21	153268	1	Strammesko	Tensioner shoes	
22	031324	1	Shims	Shim Ring	



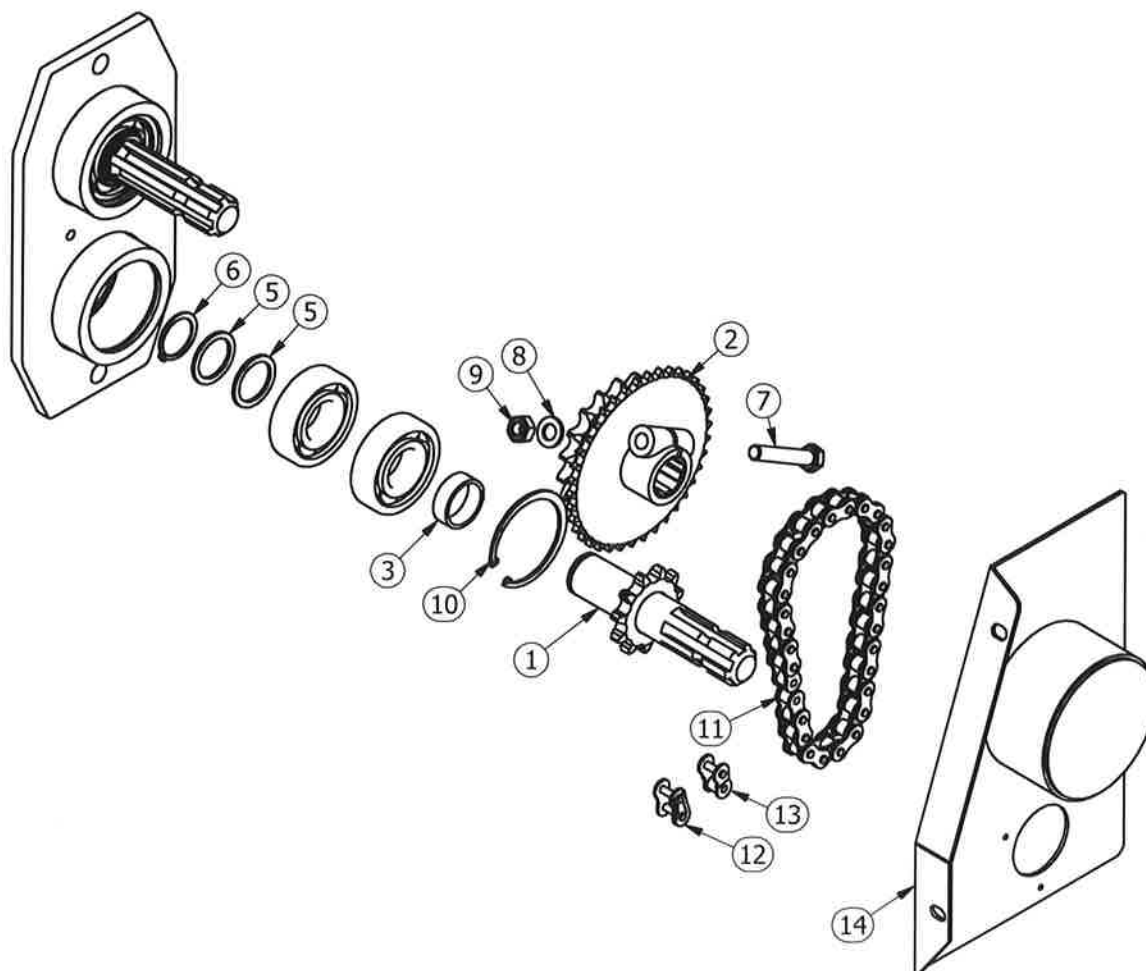
Pressrulle, option

RESERVEDELSLISTE - SPARE PARTS LIST - ERSATZTEILLISTE					
Pos	Art.No.	No	Beskrivelse	Description	Bezeichnung
-	153507	1	Pressrulle, komplett, option	Press roll, cpl. option	
1	153620	1	Rulle	Roller	
2	012257	1	Bolt	Hex-Head Bolt	
3	012270	2	Mutter	Hex Nut	
4	153622	1	Opplagingsbrakett	Bracket for roller	
5	012842	2	Bolt	Hex-Head Bolt	
6	012275	2	Skive	Washer	
7	153624	1	Stag for fjær	Bar, tighten	
8	027260	1	Fjær	Spring	
9	021045	1	Splint	Split Pin	
10	012274	3	Skive	Washer	



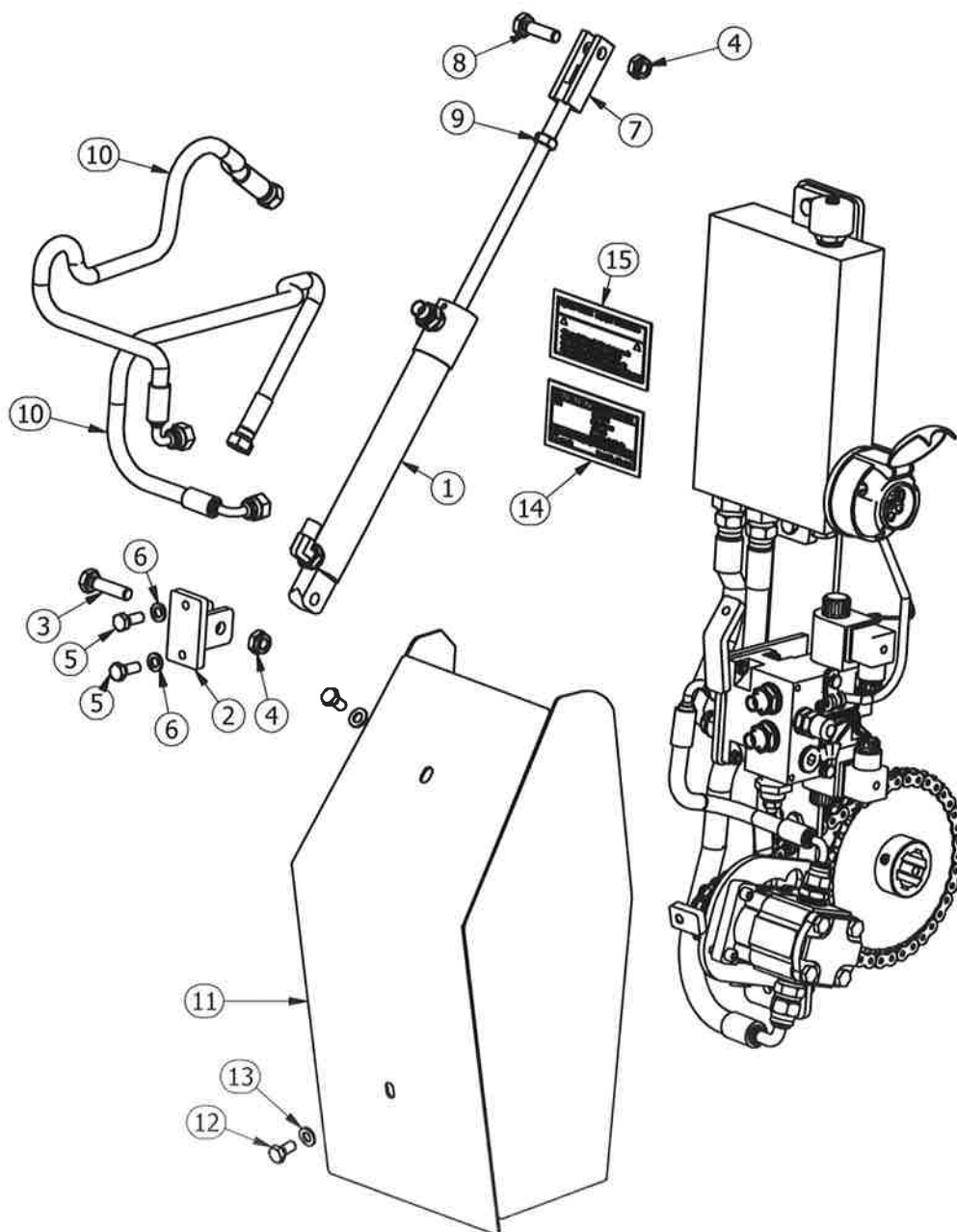
Lavgir, (1:10,36), option

RESERVEDELSLISTE - SPARE PARTS LIST - ERSATZTEILLISTE					
Pos	Art.No.	No	Beskrivelse	Description	Bezeichnung
-	153210	1	Lavgir, komplett, fabrikkmontert	Lowgear, complete, factory mounted	
-	153215	1	Lavgir, komplett, for ettermontering	Lowgear, complete, for after mounted	
1	153574	1	Kjedehjul med aksel	Chain wheel with axel	
2	153572	1	Kjedehjul gear LHP	Chain wheel gear LHP	
3	153568	1	Hylse	Sleeve	
5	031336	1(2)	Shims sett	Shims, set	
6	026719	1	Seegerring	Circlip	
7	012251	1	Bolt	Hex-Head Bolt	
8	012274	1	Skive	Washer	
9	012277	1	Mutter	Hex Nut	
10	026909	1	Seegersikring	Circlip	
11	070370	1	Kjede	Chain	
12	070369	1	Kjedelås	Chain lock	
13	070368	1	Halvledd	Chain half part	
14	153308	1	Skjerm	Cover	



LHP, option

RESERVEDELSLISTE - SPARE PARTS LIST - ERSATZTEILLISTE					
Pos	Art.No.	No	Beskrivelse	Description	Bezeichnung
1	158760	1	Sylinder, komplett	Cylinder, complete	
-	025076	1	Pakningssett, -> 10-2012	Repair kit, -> 10-2012	
-	025088	1	Pakningssett, 11-2012 ->	Repair kit, 11-2012->	
2	153270	1	Brakett for sylinder	Bracket for cylinder	
3	012205	1	Skrue	Hex-Head Bolt	
4	012231	2	Mutter	Hex Nut	
5	012758	2	Skrue	Hex-Head Bolt	
6	012195	2	Skive, låse	Spring Washer	
7	158712	1	Spakfeste	Rod bracket	
8	012204	1	Skrue	Hex-Head Bolt	
9	012237	1	Mutter	Hex Nut	
10	057304	2	Slange Clutch / brems	Hose Clutch / brake	
11	153271	1	Deksel	Cover	
12	012758	2	Skrue	Hex-Head Bolt	
13	012194	2	Skive	Washer	
14	391928	1	Klebmerke	Stickers	
15	391929	1	Klebmerke	Stickers	

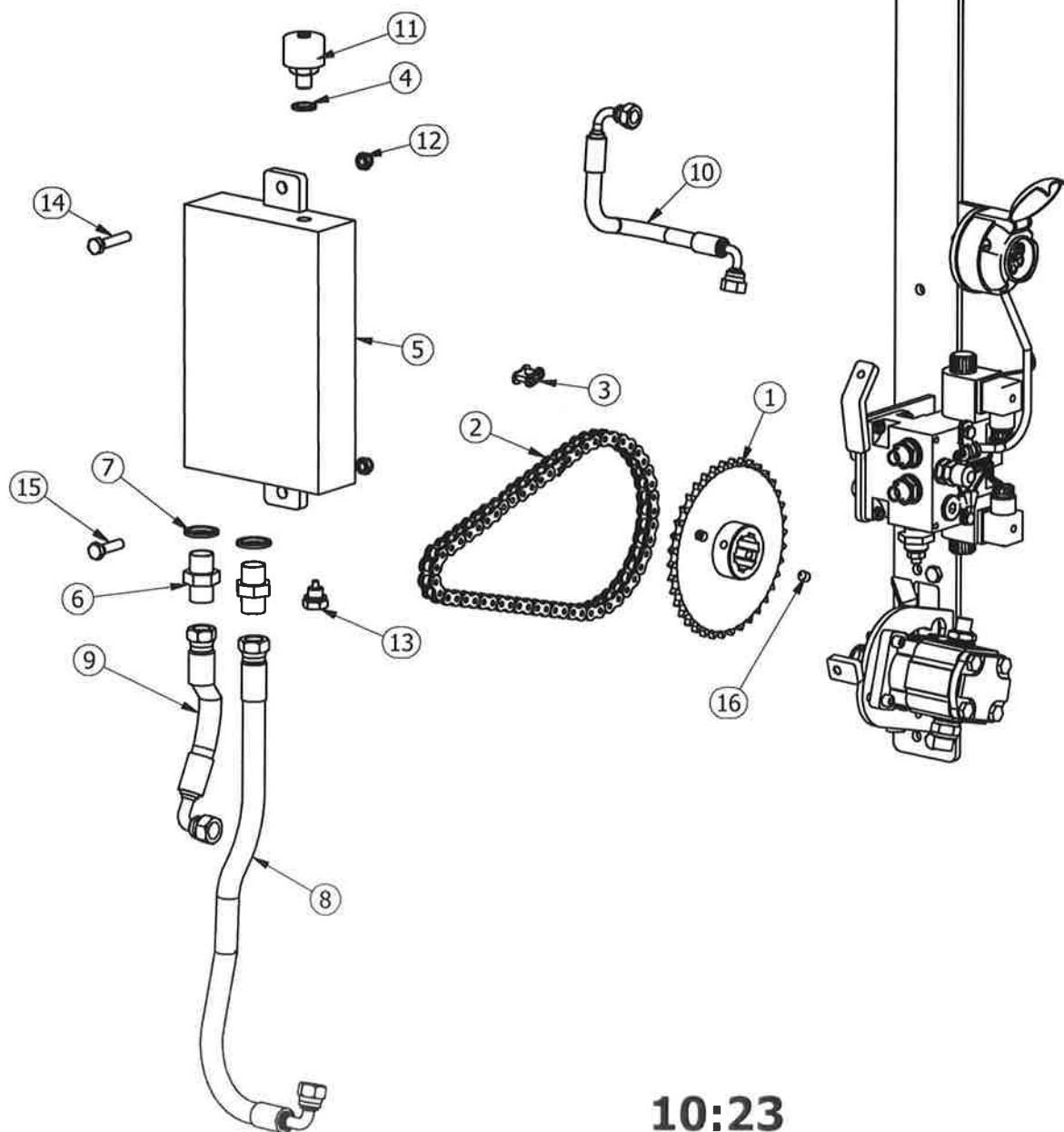


See page 10

LHP, option

RESERVEDELSLISTE - SPARE PARTS LIST - ERSATZTEILLISTE

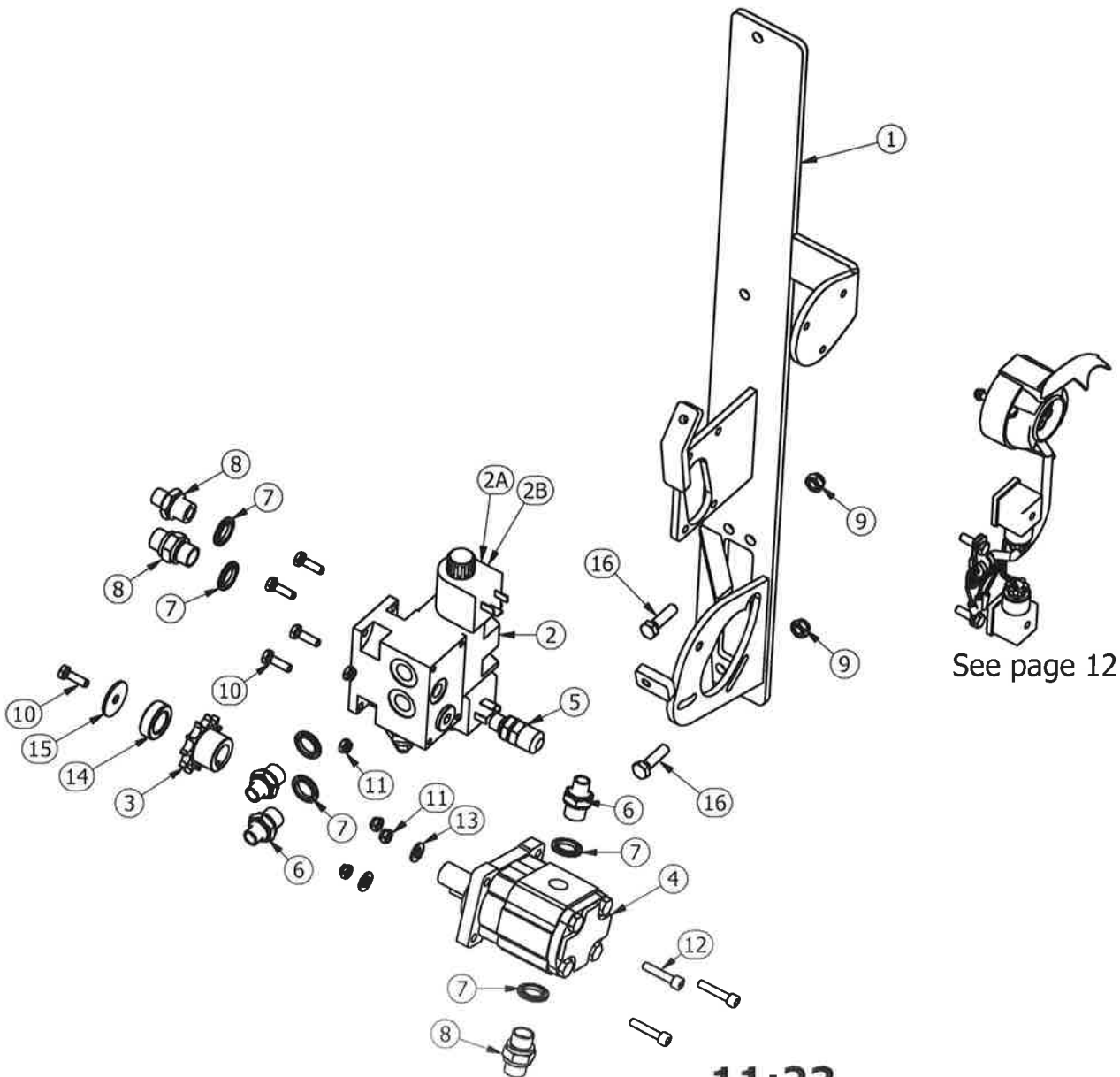
Pos	Art.No.	No	Beskrivelse	Description	Bezeichnung
1	153570	1	Kjedehjul	Chain wheel	
2	208117	1	Kjede	Chain	
3	208100	1	Kjedelås	Chain lock	
4	047141	1	Skive m/gummipakning	Washer w/rubber	
5	180916	1	Oljetank	Oil tank	
6	048010	2	Overgangsnippel	Nipple	
7	047143	2	Skive m/gummipakning	Washer w/rubber	
8	058304	1	Slange, sug	Hose	
9	058314	1	Slange, retur	Hose	
10	057602	1	Slange, trykk	Hose	
11	090085	1	Pustefilter	Breathe filter	
12	012198	2	Mutter	Nut	
13	049910	1	Oljeplugg, magnet	Oil plug	
14	012165	1	Skrue	Hex-Head Bolt	
15	012763	1	Skrue	Hex-Head Bolt	
16	015544	2	Settskrue	Set Screw	



See page 11

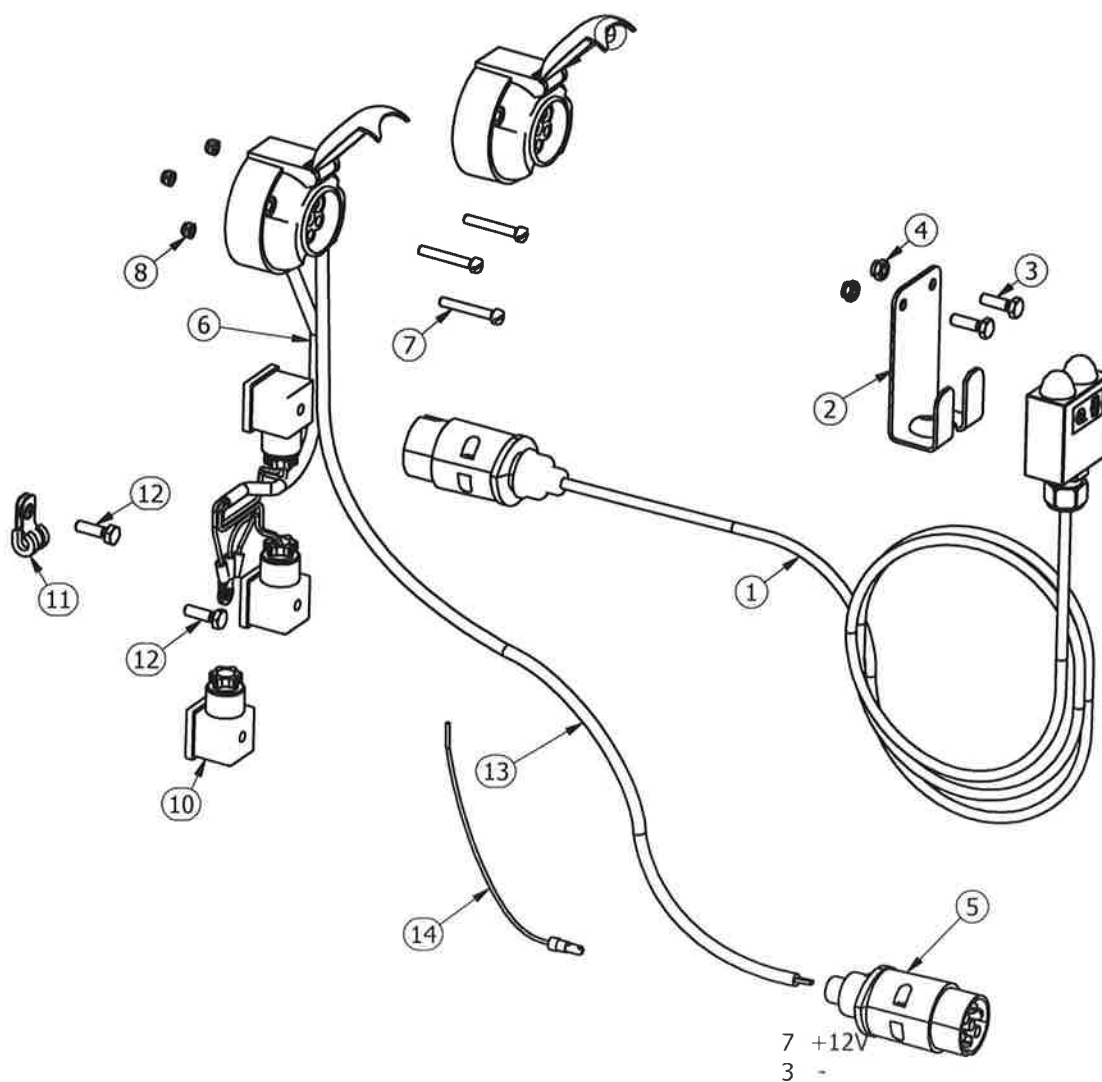
LHP, option

RESERVEDELSLISTE - SPARE PARTS LIST - ERSATZTEILLISTE					
Pos	Art.No.	No	Beskrivelse	Description	Bezeichnung
1	153272	1	Brakett, LHP	Bracket, LHP	
2	090130	1	Elektroventil, kpl.	Electric valve	
2A	500207	2	Spole, for ventil, innvendig \varnothing 14,25	Coil for valve, inside \varnothing 14.25	
2B	500208	2	Spole, for ventil, innvendig \varnothing 21,8	Coil for valve, inside \varnothing 21.8	
3	062322	1	Kjedehjul	Chain wheel	
4	083018	1	Oljepumpe	Oil pump	
5	022110	1	Testnippel	Control nipple	
6	048004	3	Nippel	Nipple	
7	047142	6	Skive m/ gummipakning	Washer w/rubber	
8	048009	3	Nippel	Nipple	
9	012198	2	Mutter	Hex Nut	
10	012680	4	Skrue	Hex-Head Bolt	
11	012118	7	Mutter	Hex Nut	
12	015838	3	Bolt	Cylinder Head Cap Screw	
13	012194	3	Skive	Washer	
14	164028	1	Avstandshylse	Distance sleeve	
15	012113	1	Skive	Washer	
16	012762	2	Skrue	Hex-Head Bolt	



LHP, option

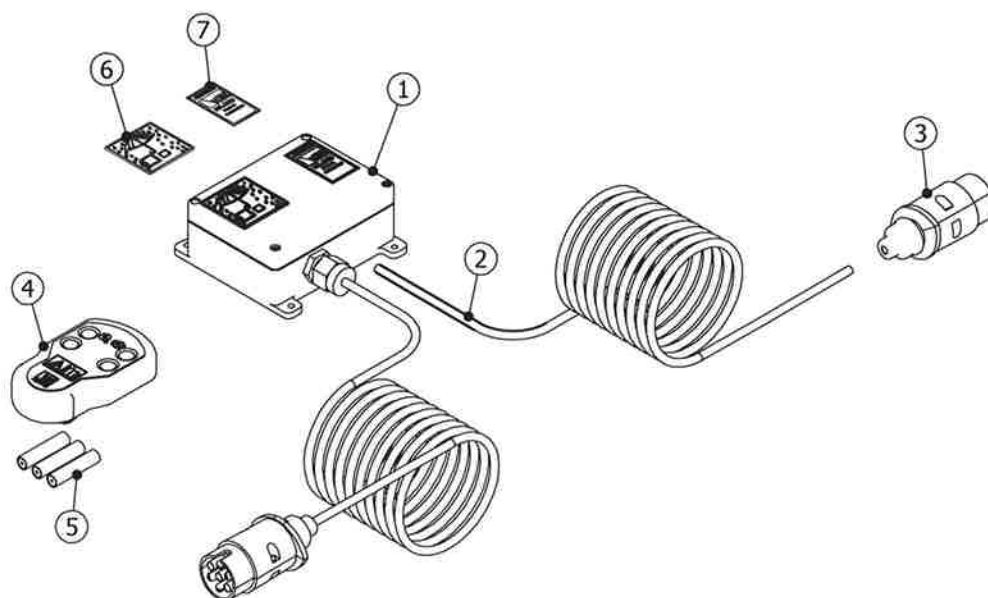
RESERVEDELSLISTE - SPARE PARTS LIST - ERSATZTEILLISTE					
Pos	Art.No.	No	Beskrivelse	Description	Bezeichnung
1	090854	1	Betjeningspanel, komplett	Operation panel, cpl.	
2	090844	1	Holder	Holder	
3	012680	2	Skrue	Hex-Head Bolt	
4	012118	2	Mutter	Hex Nut	
5	090765	2	Støpsel	Plug	
6	153320	1	Kabel, komplett, inkl. 090764 og 090276	Cable, cpl, incl. 090764 and 090276	
7	013915	1	Skrue	Hex-Head Bolt	
8	012078	1	Mutter	Hex Nut	
9	090764	1	Stikkontakt	Contact	
10	090276	2	Kontakt, komplett	Contact, cpl.	
11	027555	1	Strømkabelholder	Cable holder	
12	012680	2	Skrue	Hex Nut	
13	153321	1	Kabel, SN 0402 ->	Cable, SN 0402 ->	
14	028401	1	Kabel, SN ->0401	Cabel, SN ->0401	



12:23

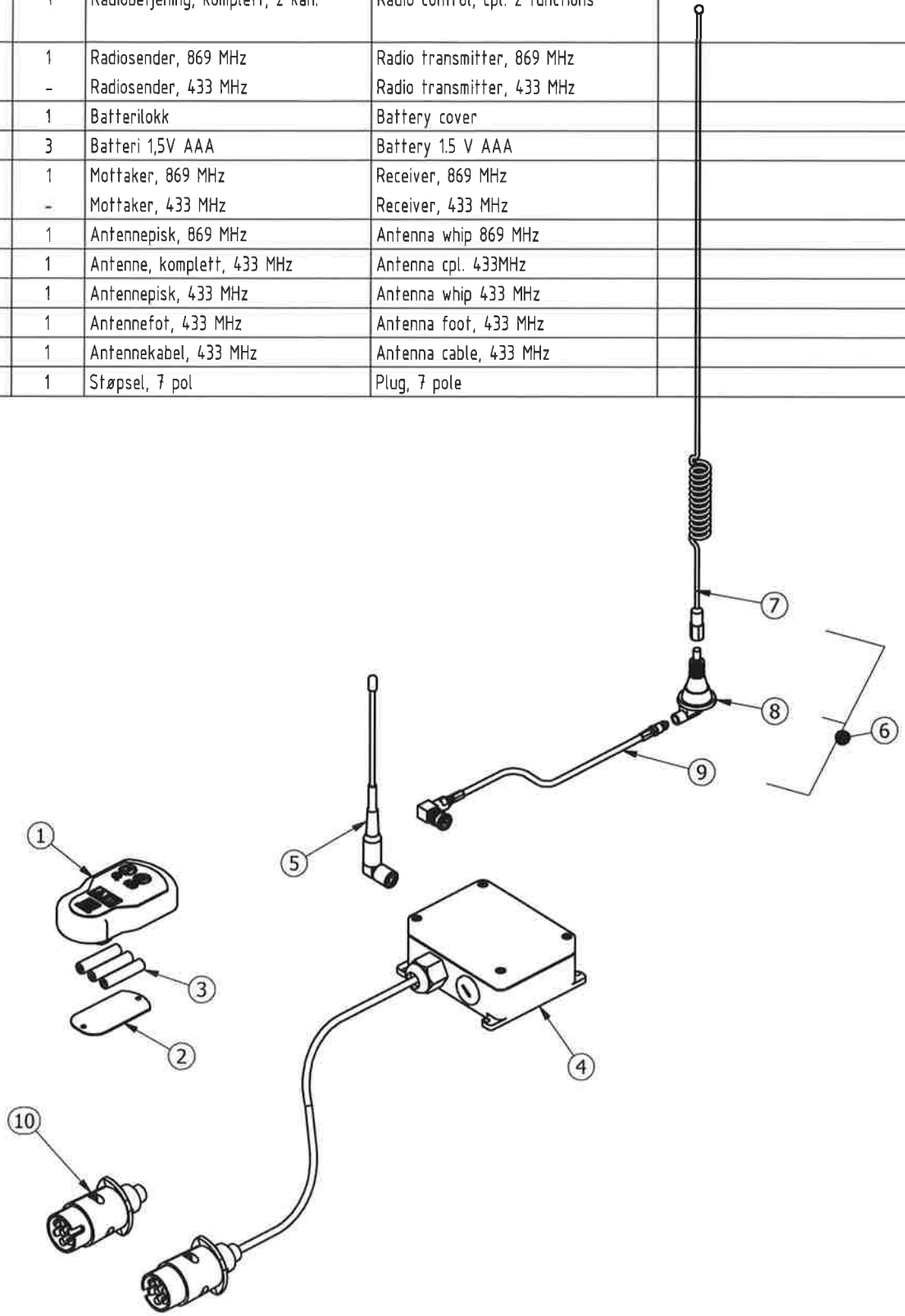
Radio styring , option 2,4 Ghz

RESERVEDELSLISTE – SPARE PARTS LIST				
Pos.	Qty	Item No./ Varenummer	Beskrivelse	Description
-	1	091174	Radio kontrollsett, kpl. Pos 1-7	Radio controlset. cpl. Pos 1-7
1	1	095652	Mottaker 2,4 GHz kpl. m/kabel og kontakter	Reciever 2,4 GHz
2	1	028265	Kabel 4 leder	Cable
3	1	090765	Tilhengerkontakt, 7 pol	Contact, 7 pol
4	1	095622	Radiosender 2,4 GHz	Radio transmitter 2,4 GHz
5	3	095370	Batteri 1,5V AAA	Batteri 1.5V AAA
6	1	391426	Klebmerke	Stickers
7	1	391427	Klebmerke	Stickers



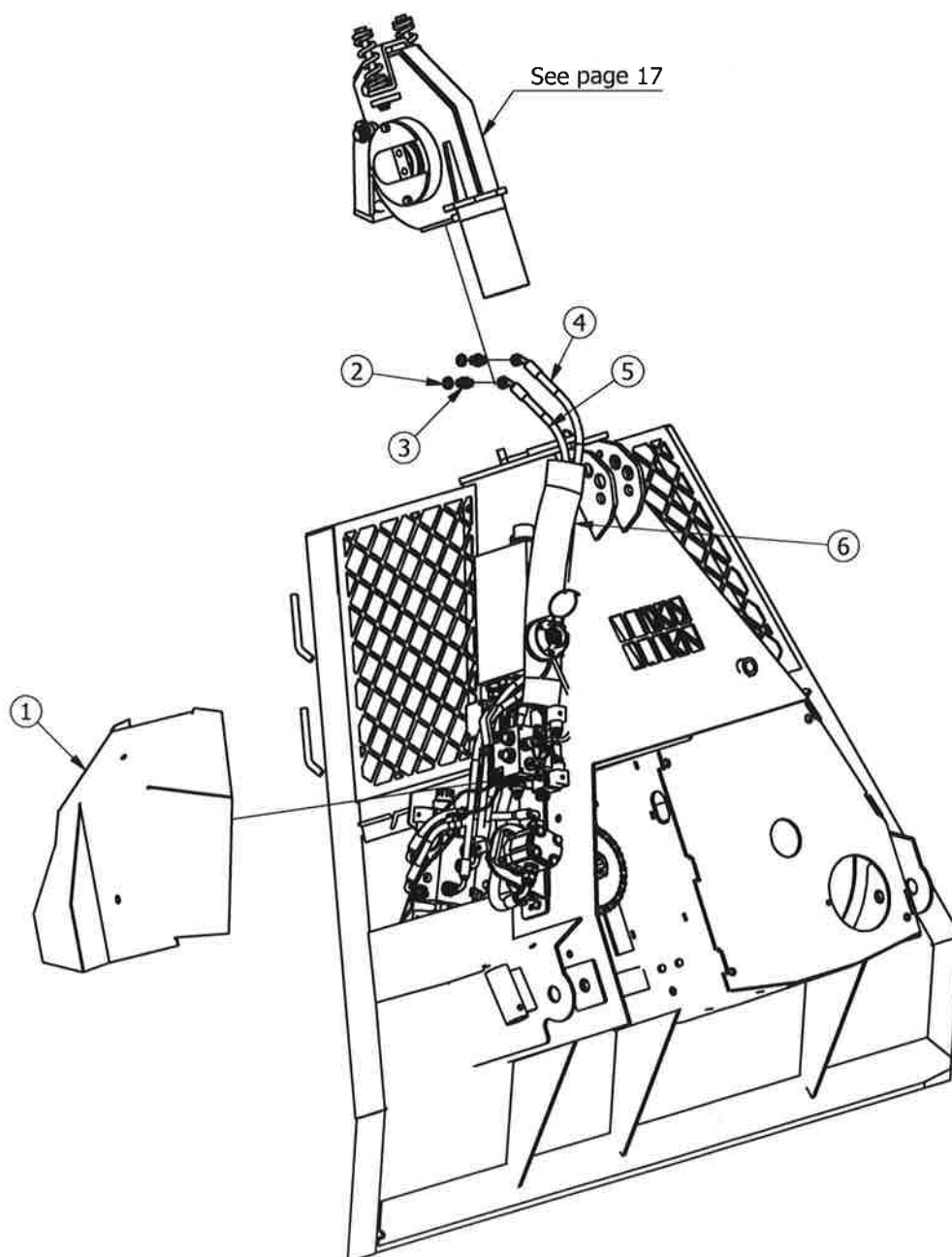
Radio styring, option 433 / 869 MHz

RESERVEDELSLISTE - SPARE PARTS LIST - ERSATZTEILLISTE					
Pos	Art.No.	No	Beskrivelse	Description	Bezeichnung
-	091174	1	Radiobetjening, komplett, 2 kan.	Radio control, cpl. 2 functions	
1	095522	1	Radiosender, 869 MHz	Radio transmitter, 869 MHz	
	095362	-	Radiosender, 433 MHz	Radio transmitter, 433 MHz	
2	095371	1	Batterilokk	Battery cover	
3	095370	3	Batteri 1,5V AAA	Battery 1.5 V AAA	
4	095535	1	Mottaker, 869 MHz	Receiver, 869 MHz	
	095294	-	Mottaker, 433 MHz	Receiver, 433 MHz	
5	095539	1	Antennepisk, 869 MHz	Antenna whip 869 MHz	
6	095289	1	Antenne, komplett, 433 MHz	Antenna cpl. 433MHz	
7	095291	1	Antennepisk, 433 MHz	Antenna whip 433 MHz	
8	095290	1	Antennefot, 433 MHz	Antenna foot, 433 MHz	
9	095292	1	Antennekabel, 433 MHz	Antenna cable, 433 MHz	
10	090765	1	Støpsel, 7 pol	Plug, 7 pole	



Pullmatic, option

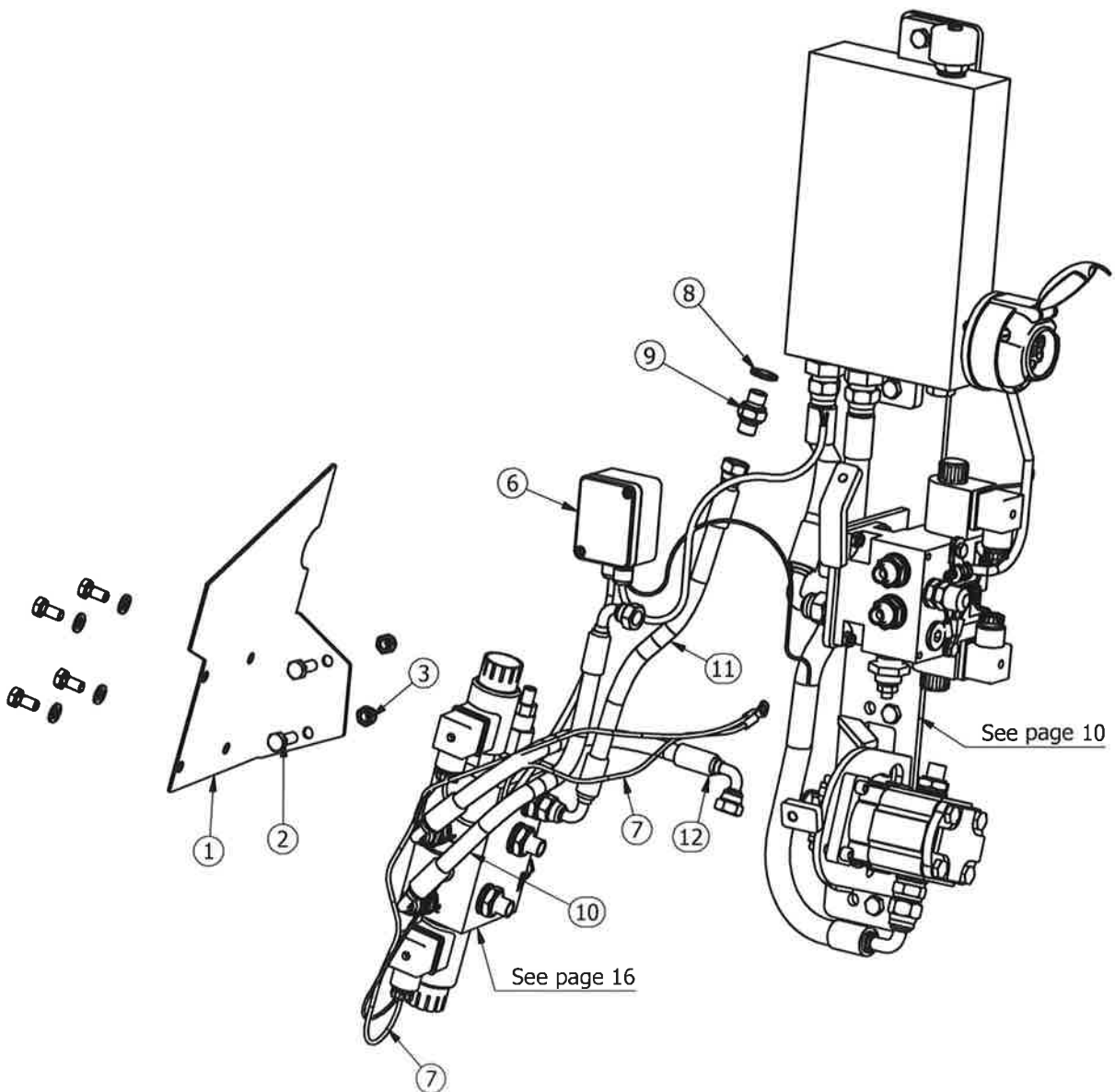
RESERVEDELSLISTE - SPARE PARTS LIST - ERSATZTEILLISTE					
Pos	Art.No.	No	Beskrivelse	Description	Bezeichnung
-	153217	-	Pullmatic, komplett, fabrikkmontert, Inkludert radio	Pullmatic, complete, factory mounted, incl. radio	
-	153218	-	Pullmatic, komplett, fabrikkmontert, uten radio	Pullmatic, complete, factory mounted, without radio	
-	153219	-	Pullmatic, komplett, for ettermontering, uten radio	Pullmatic, complete, after mounted, without radio	
1	153282	1	Skjerm	Cover	
2	047142	2	Skive m/gummipakning	Washer w/rubber	
3	048004	2	Nippel	Nipple	
4	057511	1	Slange, A ventilblokk -> B motor	Hose, A valve block -> B motor	
5	057512	1	Slange, B ventillokk -> A motor	Hose, B valve block -> A motor	
6	017583	1	Slangebeskytter	Hose protection	



Pullmatic, option

RESERVEDELSLISTE - SPARE PARTS LIST - ERSATZTEILLISTE

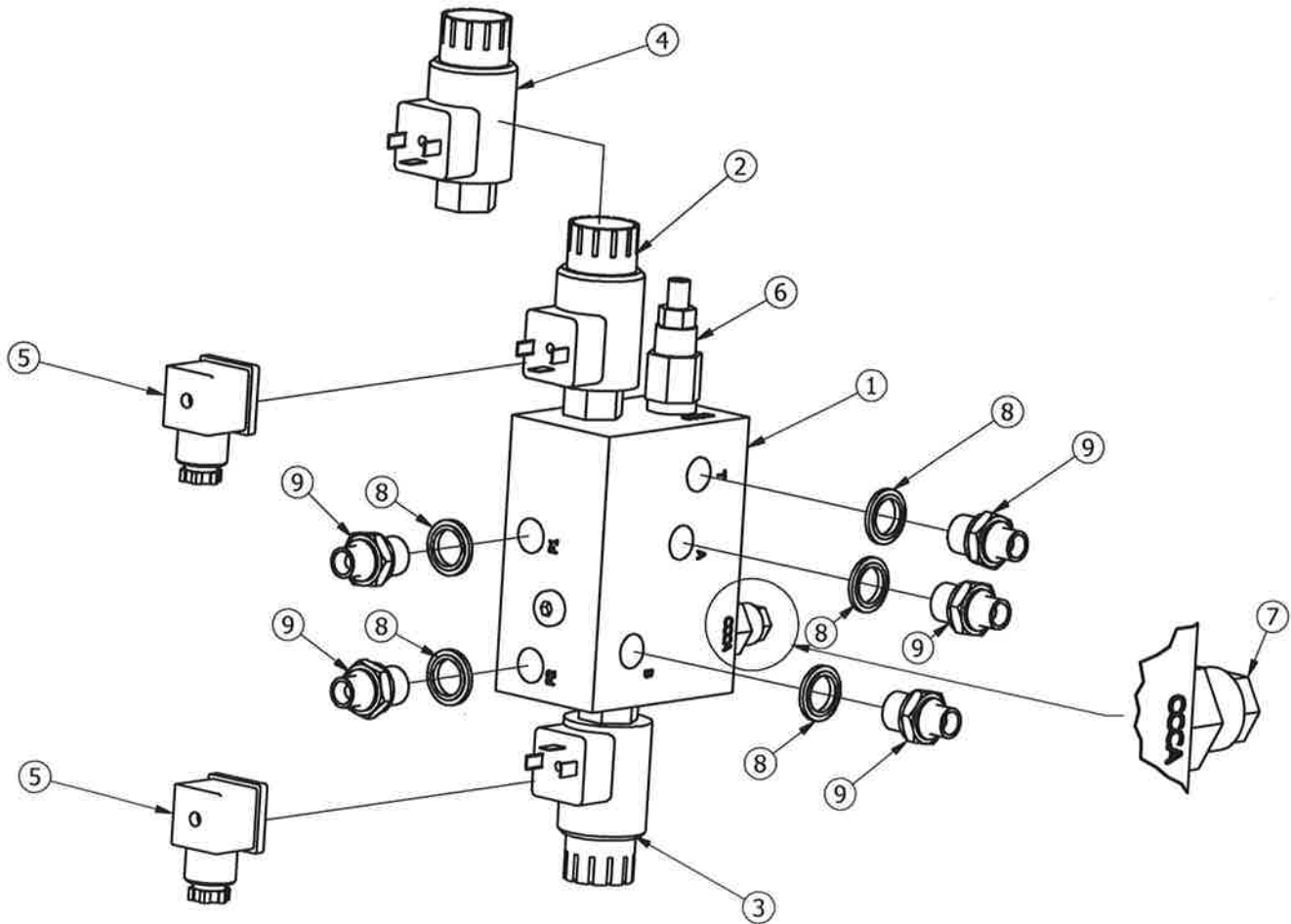
Pos	Art.No.	No	Beskrivelse	Description	Bezeichnung
1	153280	1	Ventilfeste	Bracket for valve	
2	012760	2	Skrue	Hex-Head Bolt	
3	012198	2	Mutter	Hex Nut	
4	012758	4	Skrue	Hex-Head Bolt	
5	012195	4	Skive	Spring Washer	
6	153324	1	Releboks, med kabler	Rele box with cable	
7	153325	2	Kabel, jording	Cable earth	
8	047141	1	Skive m/gummipakning	Washer w/rubber	
9	048001	1	Nippel	Nipple	
10	057513	1	Slange, P2->P	Hose, P2->P	
11	057514	1	Slange, T->Tank	Hose, T->Tank	
12	057515	1	Slange, P1-> p pumpe	Hose, P1-> p pumpe	



Pullmatic, option

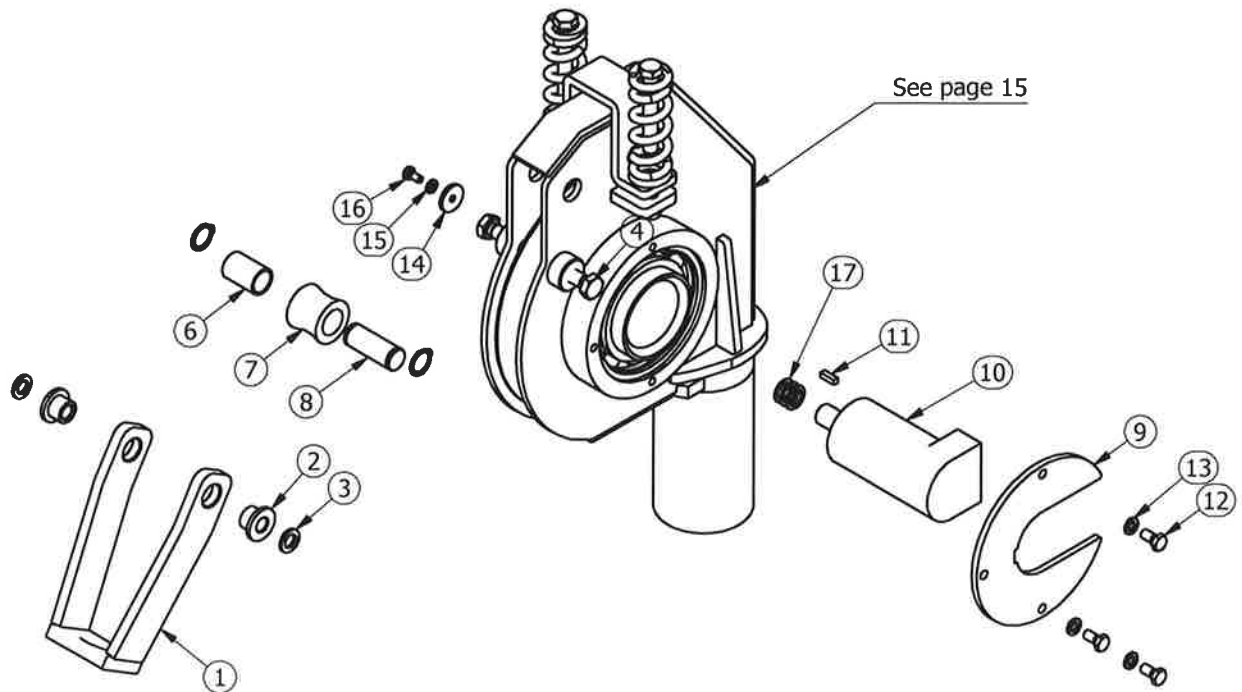
RESERVEDELSLISTE - SPARE PARTS LIST - ERSATZTEILLISTE

Pos	Art.No.	No	Beskrivelse	Description	Bezeichnung
1	164166	1	Ventilblokk, kpl.	Valve block, cpl.	
2	164172	1	Patron med spole, kpl.	Cartridge with coil	
3	164173	1	Patron med spole, kpl.	Cartridge with coil	
4	164171	1	Magnetspole	Magnet coil	
5	090276	2	Strømtilkobling	Power connection	
6	164174	1	Trykkventil, RDDA	Pressure valve	
7	164175	1	Trykkventil, CCCA	Pressure valve	
8	047142	5	Skive m/ gummipakning	Washer w/rubber	
9	048004	5	Nippel	Nipple	



Pullmatic, option

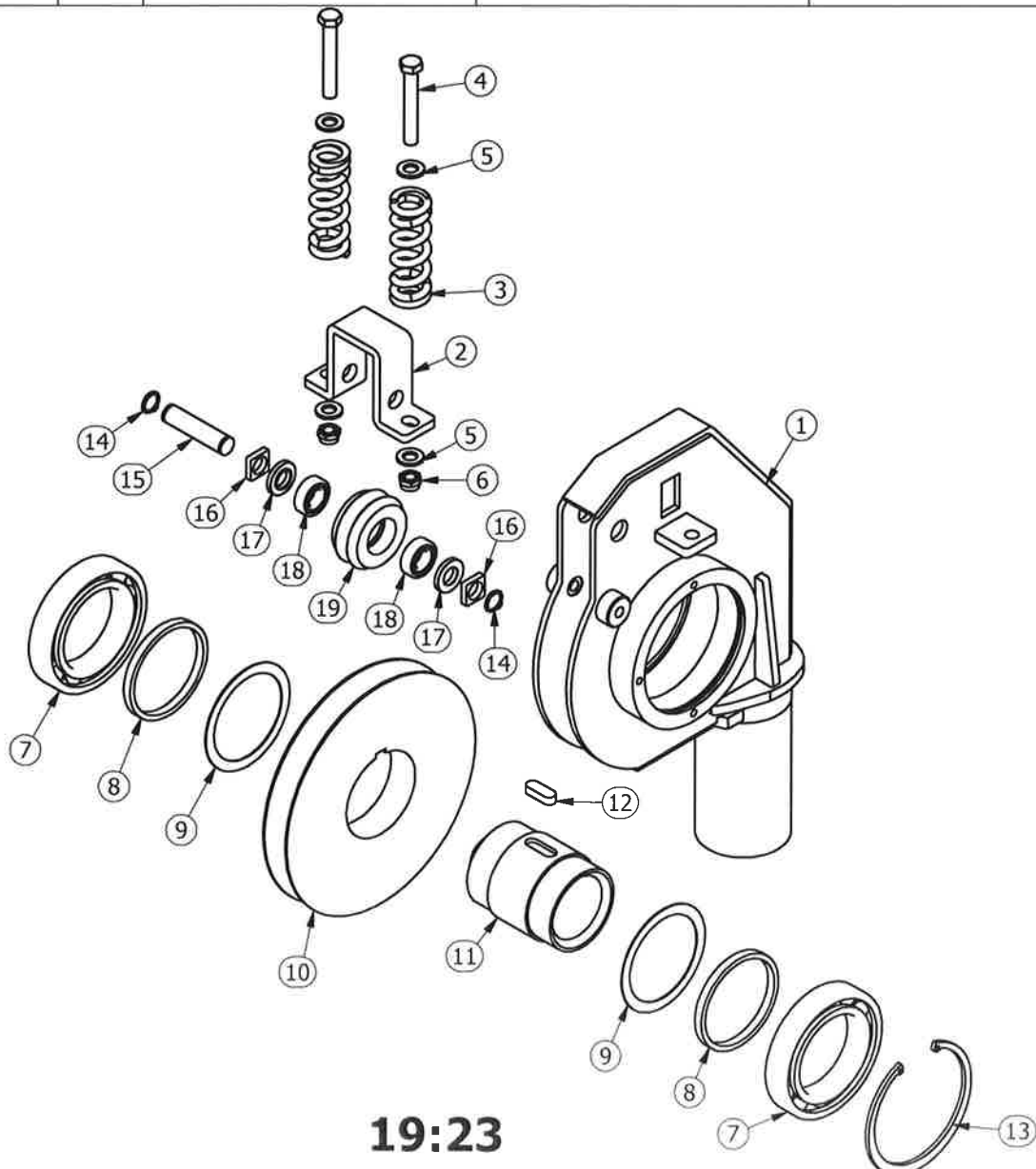
RESERVEDELSLISTE - SPARE PARTS LIST - ERSATZTEILLISTE					
Pos	Art.No.	No	Beskrivelse	Description	Bezeichnung
1	153726	1	Wirestyr	Wire direction	
2	153727	2	Hylse	Sleeve	
3	012275	2	Skive, fjær	Spring Washer	
4	012843	2	Skrue	Hex-Head Bolt	
6	153286	1	Foring	Sleeve	
7	153287	1	Rull	Roll	
8	153288	1	Bolt	Bolt	
9	153285	1	Deksel	Cover	
10	164168	1	Oljemotor	Oil motor	
11	164169	1	Kile	Wedge	
12	012758	3	Skrue	Hex-Head Bolt	
13	012195	3	Skive	Spring Washer	
14	153284	1	Skive	Washer	
15	012115	1	Skive, fjær	Spring Washer	
16	012676	1	Skrue	Hex-Head Bolt	
17	030684	1-5	Shims, $\varnothing 16/22 \times 1$	Shim Ring	



Pullmatic, option

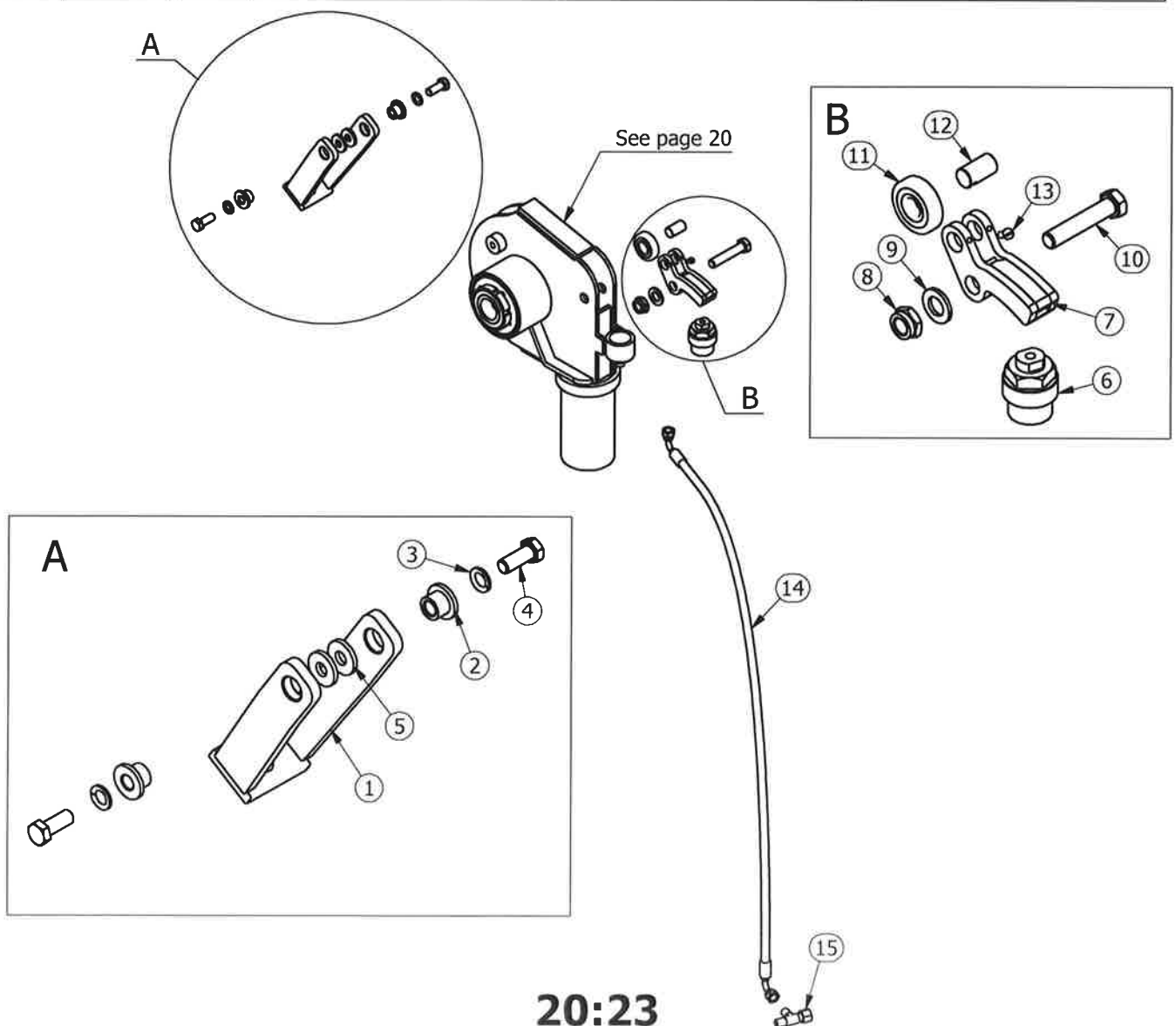
RESERVEDELSLISTE - SPARE PARTS LIST - ERSATZTEILLISTE

Pos	Art.No.	No	Beskrivelse	Description	Bezeichnung
1	153289	1	Chassis, blokk	Chassis, block	
2	153294	1	Bøyle	Hoop	
3	027228	2	Fjær	Spring	
4	012253	2	Skrue	Hex-Head Bolt	
5	012274	4	Skive	Washer	
6	012277	2	Mutter	Hex Nut	
7	026014	2	Lager, kule	Bearing	
8	153291	2	Avstandsring	Distance sleeve	
9	032284	2	Shims	Shim Ring	
10	153290	1	Trinse	Pulley	
11	153292	1	Boss	Sleeve	
12	153293	1	Kile	Wedge	
13	026925	1	Seegerring	Circlip	
14	026710	2	Seegerring	Circlip	
15	153295	1	Bolt	Bolt	
16	153296	2	Skive, firkant	Washer square	
17	153297	2	Skive	Washer	
18	026005	2	Lager, kule	Bearing	
19	153298	1	Pressrull	Press roll	



Påspolingsbrems, option

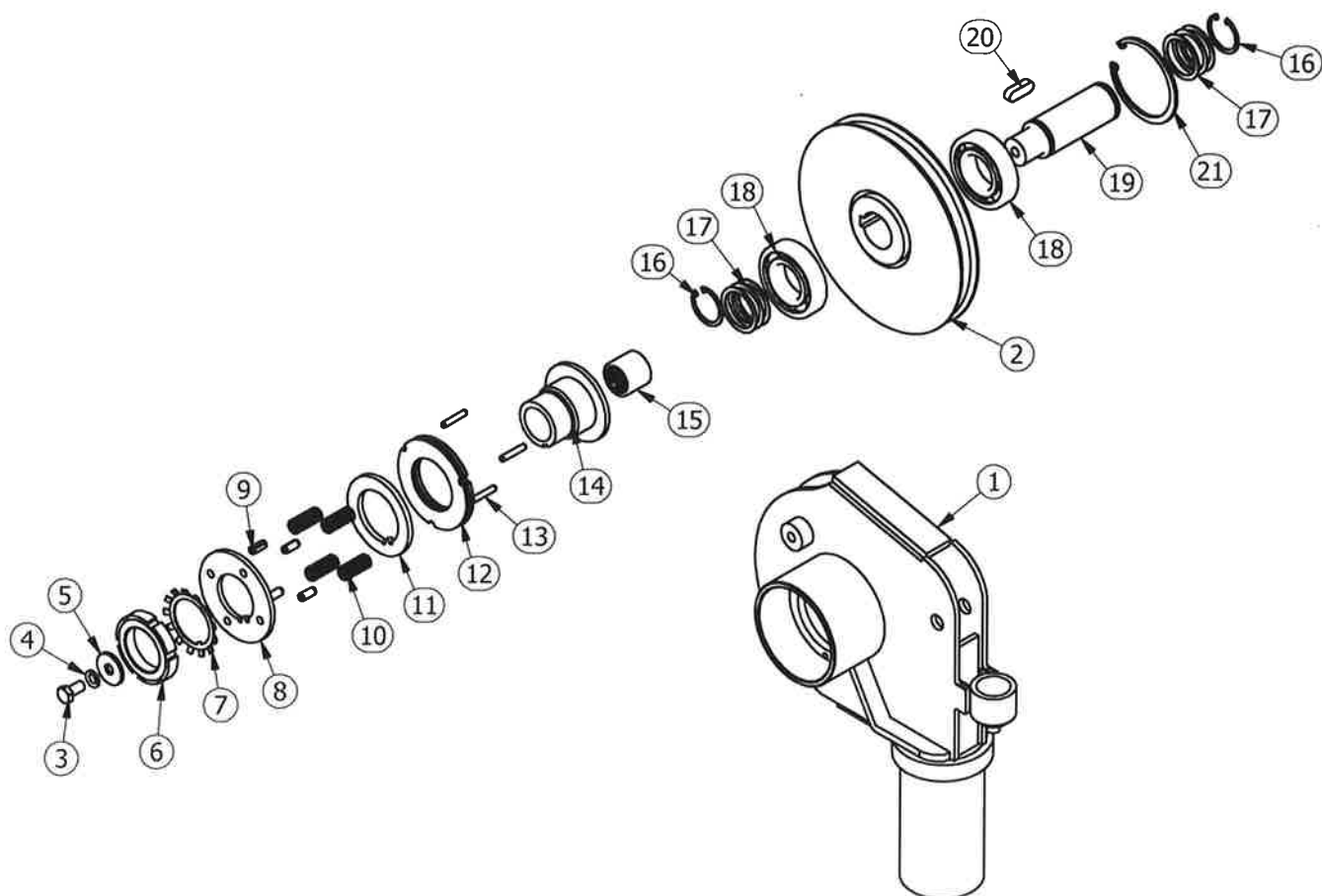
RESERVEDELSLISTE - SPARE PARTS LIST - ERSATZTEILLISTE					
Pos	Art.No.	No	Beskrivelse	Description	Bezeichnung
-	153211	1	Påspolingsbrems, fabrikkmontert, (option)		
-	153216	1	Påspolingsbrems, ettermontering (option)		
1	153726	1	Wirestyr	Wire rope guide	
2	153727	2	Hylse	Casing	
3	012275	2	Skive, fjær	Spring Washer	
4	012843	2	Skrue	Hex-Head Bolt	
5	153728	2	Skive, spesial	Washer	
6	090030	1	Sylinder	Cylinder	
7	153713	1	Holder for rull	Bracket for roller	
8	012350	1	Mutter	Hex Nut	
9	012354	1	Skive	Washer	
10		1		Hex-Head Bolt	
11	025602	1	Rull	Roller	
12	153712	1	Bolt, spesial	Bolt	
13	013905	1	Skrue	Slotted Cheese Head Screw	
14	057609	1	Slange	Hose	
15	048455	1	Kobling, T	Coupling	



Påspolingsbrems, option

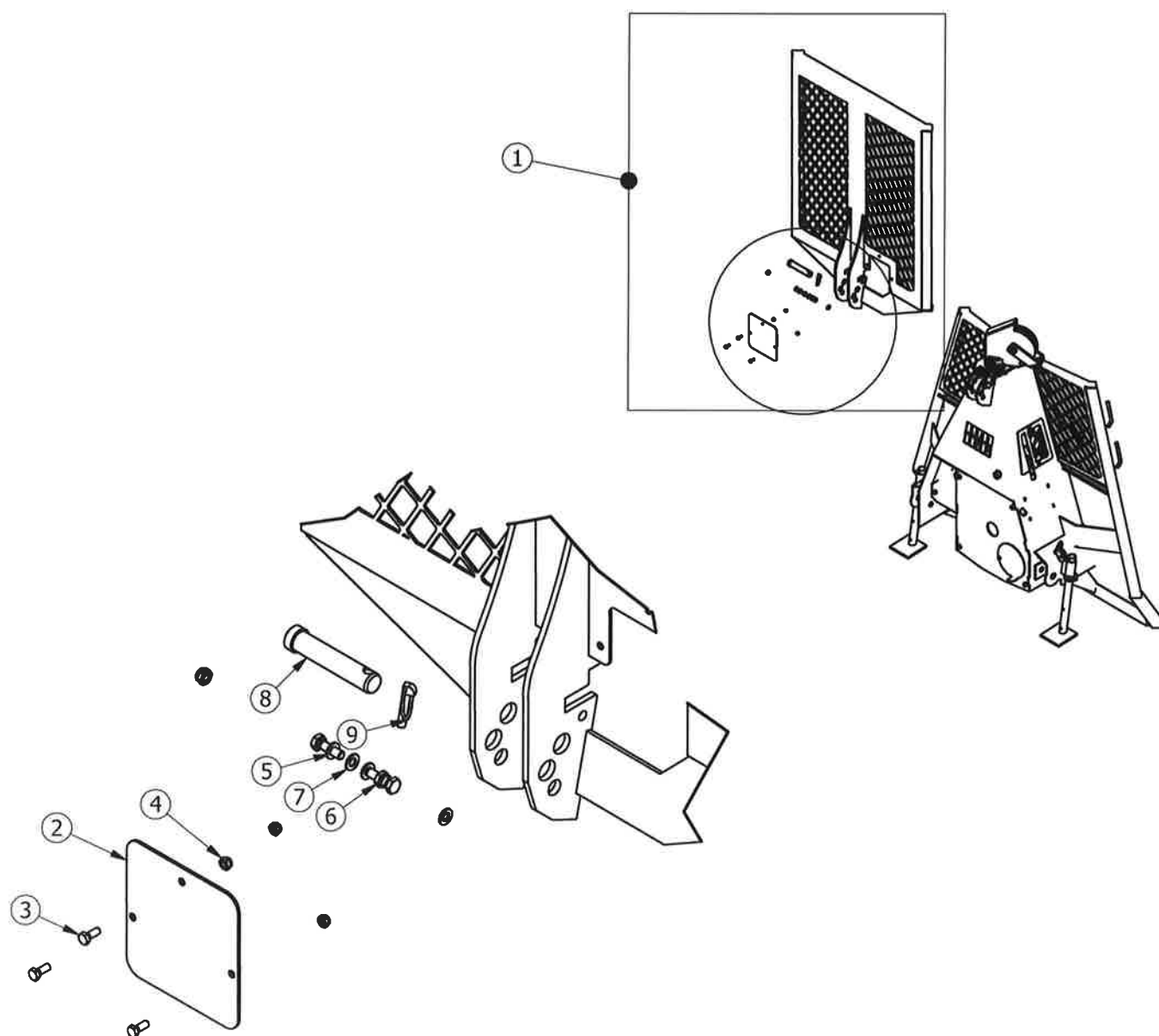
RESERVEDELSLISTE - SPARE PARTS LIST - ERSATZTEILLISTE

Pos	Art.No.	No	Beskrivelse	Description	Bezeichnung
1	153710	1	Blokkhus	House for block	
2	153723	1	Trinse	Pulley	
3	012800	1	Skrue	Hex-Head Bolt	
4	012234	1	Skive, fjær	Spring Washer	
5	153715	1	Skive, spesial	Washer	
6	026410	1	Akselmutter	Slotted Round Nuts	
7	026440	1	Låseskive	Lockwasher - Type MB/MBL	
8	153716	1	Fjærholder	Bracket for spring	
9	153717	4	Splint	Pin	
10	027226	4	Fjær	Spring	
11	153718	1	Trykkplate, brems	Pressure plate, brake	
12	153719	1	Bremselamell	Brake lamella	
13	153720	3	Splint	Pin	
14	153721	1	Hylse	Casing	
15	025601	1	Lager	Bearing	
16	026733	2	Seegerring	Circlip	
17	031455	2	Shims, sett	Shims, set	
18	026065	2	Lager, kule	Bearing	
19	153724	1	Aksel	Shaft	
20	153725	1	Kile	Wedge for shaft	
21	026915	1	Seegerring	Locking ring	



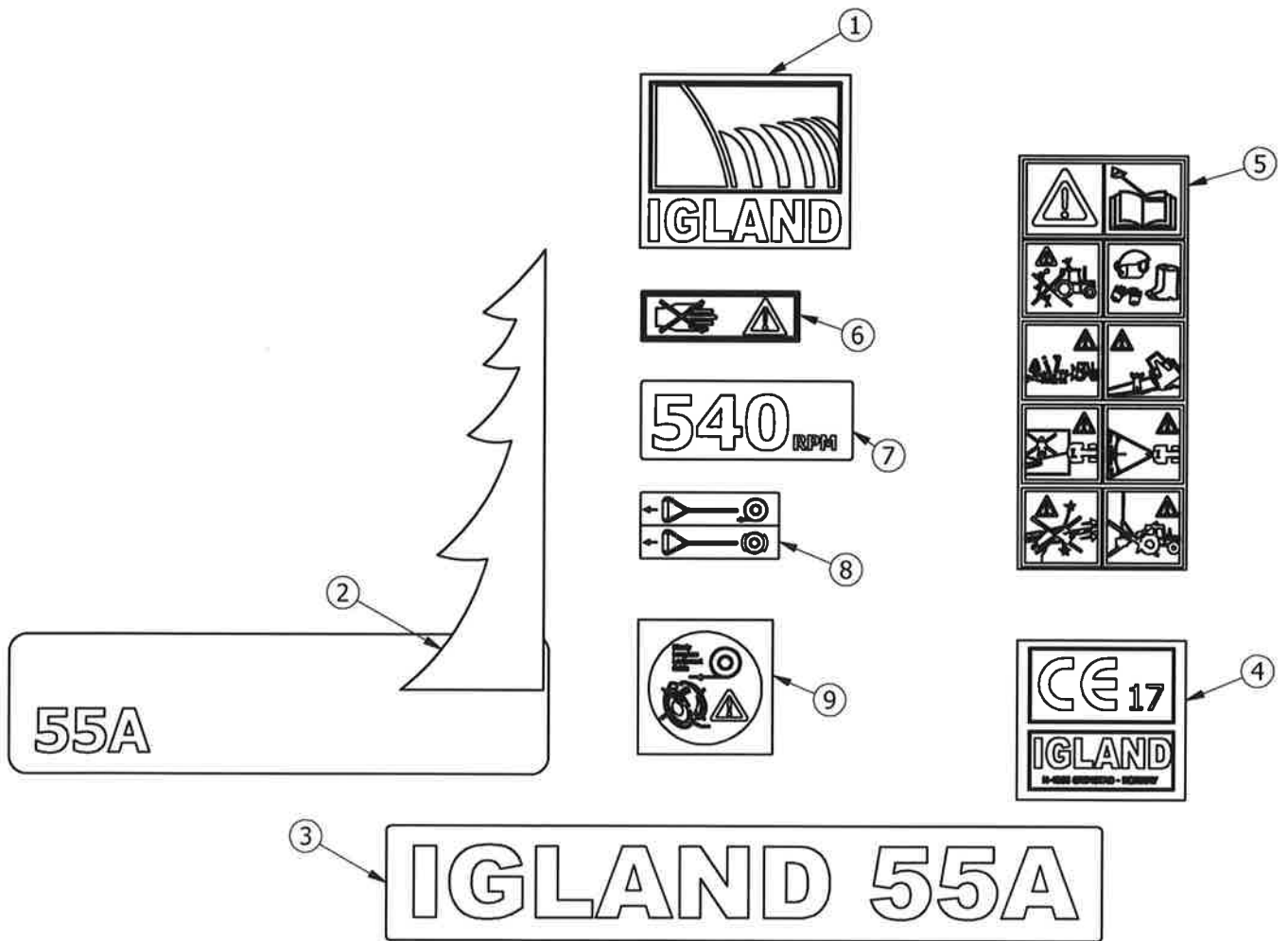
Toppgitter, option

RESERVEDELSLISTE - SPARE PARTS LIST - ERSATZTEILLISTE					
Pos	Art.No.	No	Beskrivelse	Description	Bezeichnung
1	153214	1	Toppgitter, komplett	Top grid, cpl.	
2	153319	1	Deksel, (kun ved LHP)	Cover (only for LHP)	
3	012760	3	Skrue, (kun ved LHP)	Hex-Head Bolt (only for LHP)	
4	012198	3	Mutter, (kun ved LHP)	Hex Nut (only for LHP)	
5	012204	2	Skrue	Hex-Head Bolt	
6	012231	2	Mutter	Hex Nut	
7	012235	4	Skive, plan	Washer	
8	020185	1	Bolt	Bolt	
9	021004	1	Orepinne	Locking pin	

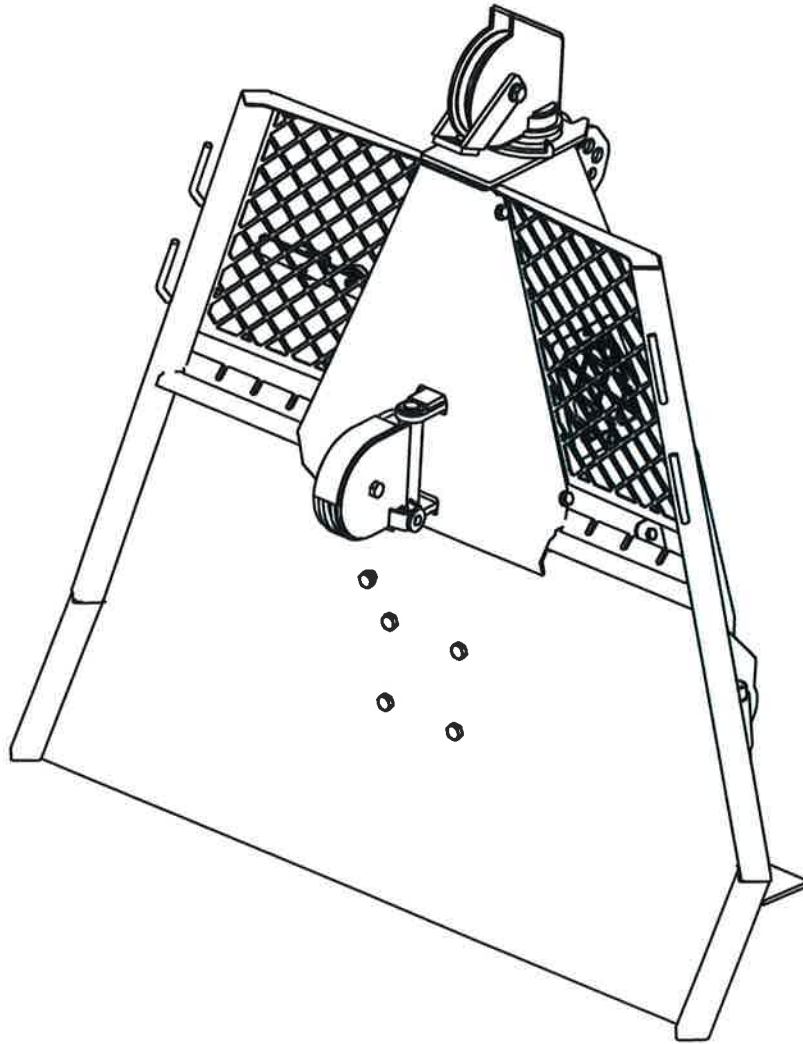


RESERVEDELSLISTE - SPARE PARTS LIST - ERSATZTEILLISTE

Pos	Art.No.	No	Beskrivelse	Description	Bezeichnung
1	390815	1	Klebmerke, IGLAND logo	Stickers, IGLAND	
2	391220	1	Klebmerke, Iglan 55A, tre	Stickers, IGLAND 55A	
3	390973	2	Klebmerke, Iglan 55A	Stickers IGLAND 55A	
4	392006	1	Klebmerke, CE (N/A)	Stickers, CE (N/A)	
5	391931	1	Klebmerke, faremomenter	Stickers, hazards	
6	391917	1	Klebmerke, klemfare	Stickers, hazards	
7	391900	1	Klebmerke, 540 rpm	Stickers, 540 rpm	
8	391415	1	Klebmerke, snorbetjening (kun Mek)	Stickers, rope operation (only mec.)	
9	391918	1	Klebmerke, Sakte	Stickers, slow	



IGLAND 55A



© NØSTED & AS

- Gjengivelse av tekst og tegninger uten tillatelse forbudt.
- Reproduction of text or illustrations without permission is prohibited.
- Eine wiedergabe von Texten und Zeichnungen ohne unsere Genehmigung ist nicht gestattet.
- Interdiction de toute reproduction de texts ou d'illustrations sans autorisation préalable

Approved:

Revised: 04.02.2020

Issued: 20.02.2016

P/N: 390133

F:\DELEKAT\PDF\IGLAND\55A.pdf

Nøsted & IGLAND

Industriveien 30
N-4879 Grimstad, Norway
Phone + 47 37 25 62 00
Mail: corporate@igland-as.com
<http://www.igland-as.com>

