



IGLAND

Spare parts list

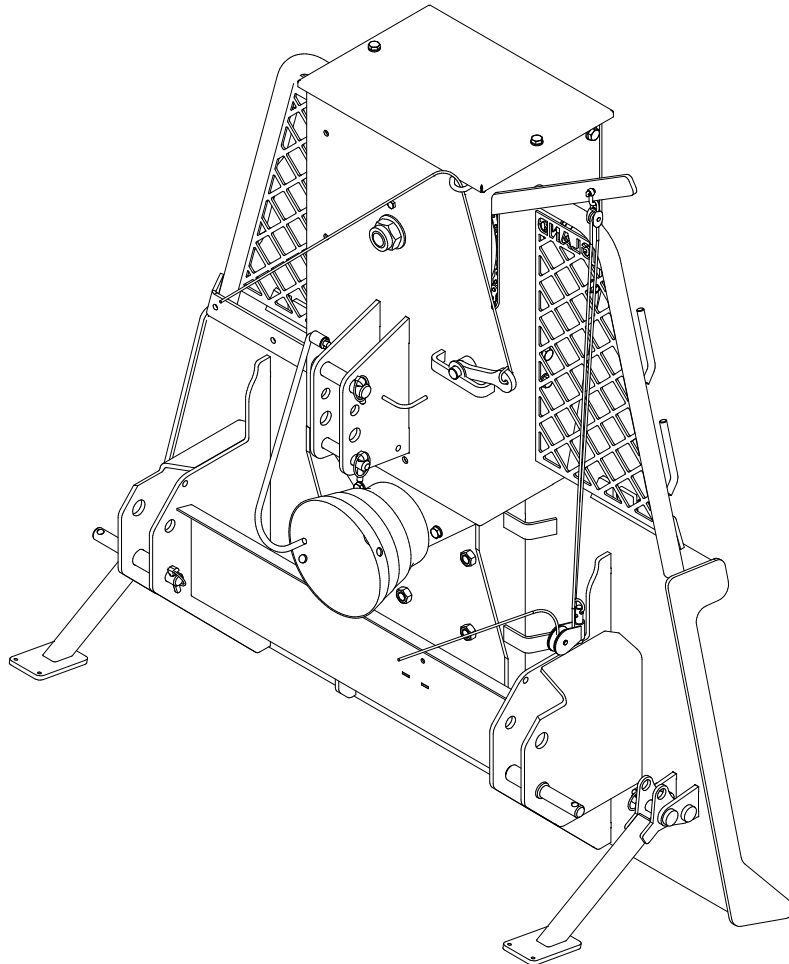
Winch

42



nøsted &

IGLAND 42



Revised	
Issued	15.05.2024
P/N	IG308020
Website	Nosted.com/igland
E-mail	corporate@igland-as.com
Phone	+47 372 56 200

Reproduction of text or illustrations without permissions is prohibited

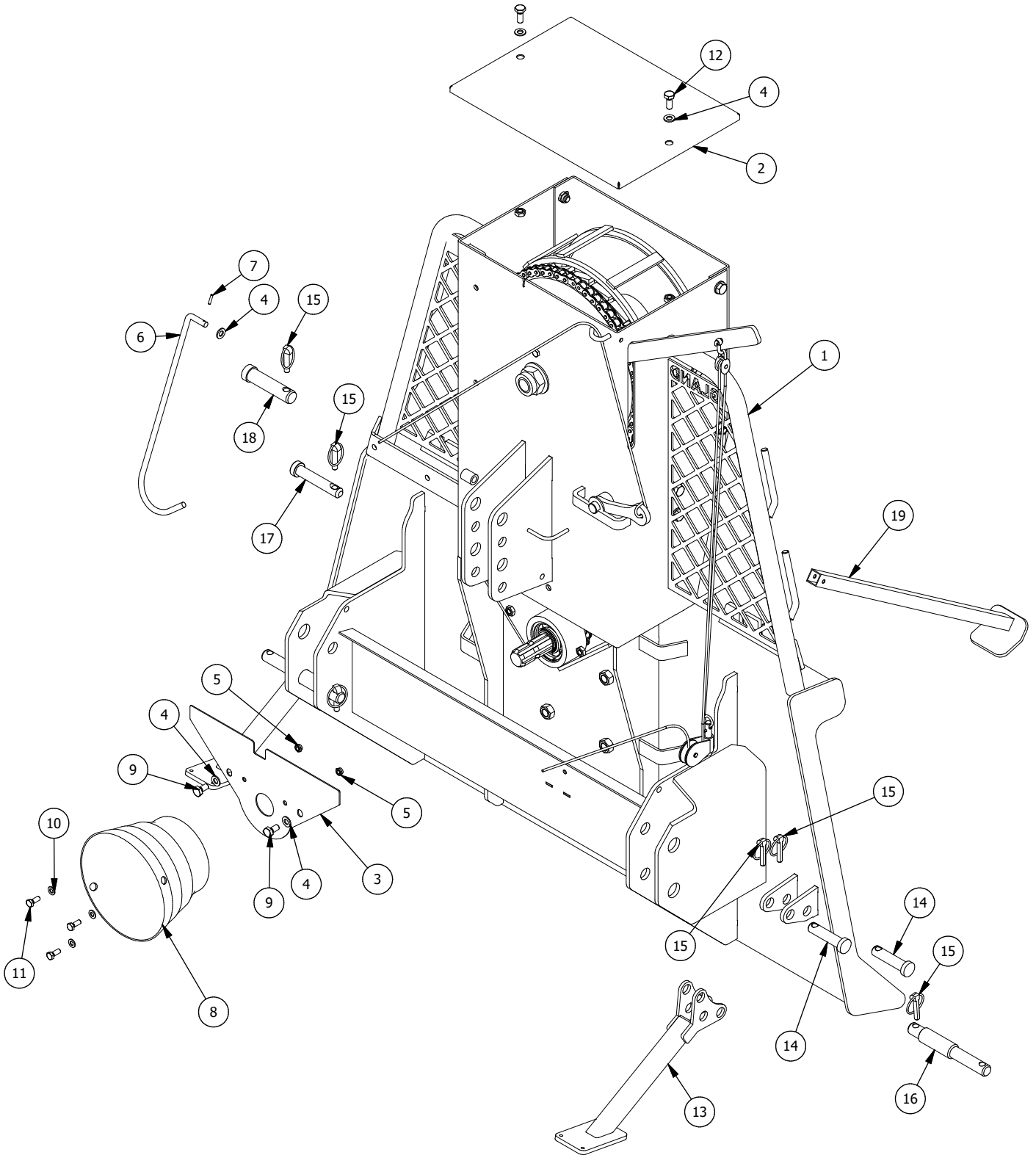
Original delekatalog

- SPARE PARTS LIST -

Contents

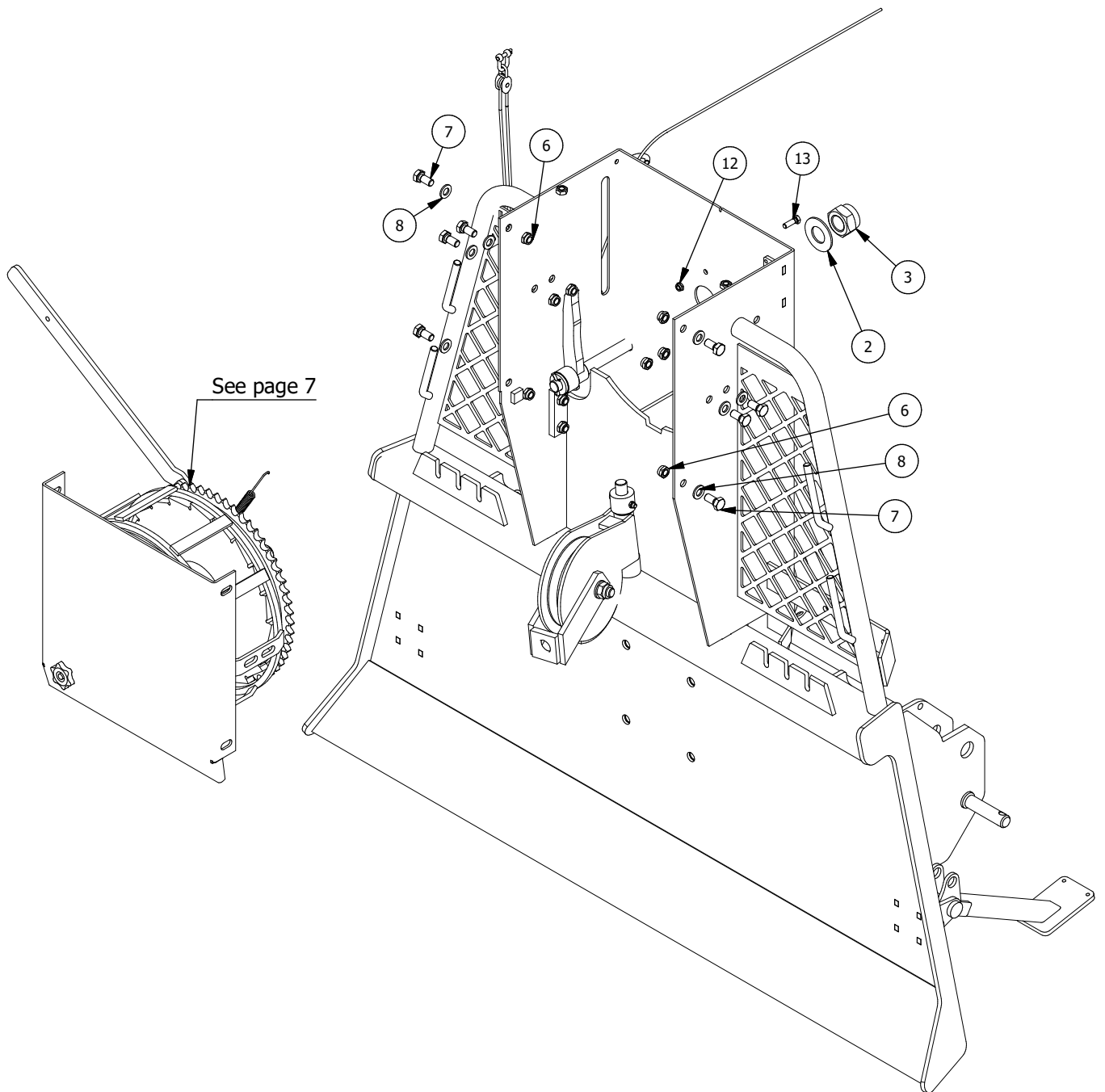
1. CHASSIS, KPL.....	4
2. DRUM SET.....	6
3. CHAIN WHEEL AND CHAIN TIGHTENER.....	9
4. HANDLE FOR PAL BARRIER.....	11
5. WIRE DIRECTIONEER.....	13
6. ONLY HYDRAULIC VERSION - HYDR. LH OPERATION, CPL.....	15
7. RADIO CONTROL SET CPL.....	20
8. OPTION - HVM FRAME AND TRIANGLE SPECIAL FITTED QUICK COUPLER.....	21
9. OPTION - PROTECTION SCREEN AND HOLDERS.....	22
10. OPTION - RPM CONTROL OF TRAKTOR.....	23
11. STICKERS.....	24

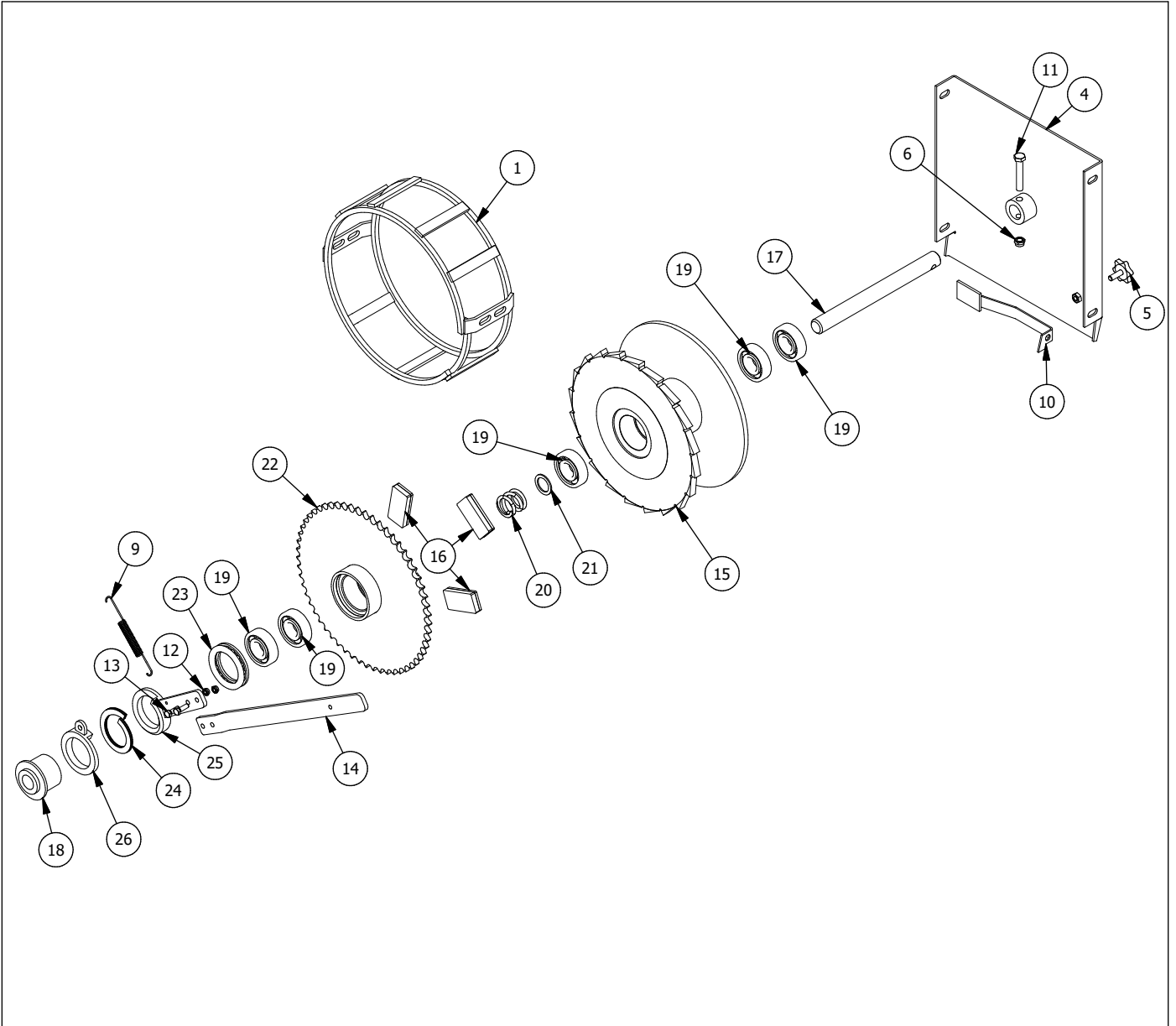
1. CHASSIS, KPL.



RESERVEDELSLISTE – SPARE PARTS LIST					
Pos.	Qty	Item No./ Varenummer	Beskrivelse	Description	Specification
1	1	IG143220	Chassis, kpl.	Chassis, cpl.	01-56-02
2	1	IG122044	Toppdeksel	Topplate	01-37-07A
3	1	IG143224	PTO deksel, stål	PTO Cover, steel	01-56-08B
4	5	IG012235	Skive	Washer	DIN 125 - A 10,5
5	3	IG012198	Mutter	Hex Nut	ISO 10511 - M8
6	1	IG143127	Parkeringsbøyle for PTO	PTO holder	19-04-08Q
7	1	IG020815	Spennhylse	Locking pin	ISO 13337 - 4 x 18
8	1	IG121632	PTO deksel, plast	PTO cover, plastic	121632
9	2	IG012800	Bolt	Hex-Head Bolt	DIN 933 - M10 x 20
10	3	IG012194	Skive	Washer	DIN 125 - A 8,4
11	3	IG012760	Bolt	Hex-Head Bolt	DIN 933 - M8 x 20
12	2	IG012802	Bolt	Hex-Head Bolt	DIN 933 - M10 x 25
13	2	IG154022	Støttebein	Support legs	01-58-03
14	4	IG731066	Bolt	Bolt	0103782
15	8	IG021004	Orepinne	Locking pin	021004
16	2	IG021320	Trekkstagbolt kat 1-2	Bolt cat 1-2	01-43-24
17	1	IG020099	Toppstagbolt kat 1	Top link bolt cat 1	01-38-15A
18	1	IG020177	Toppstagbolt kat 2	Top link bolt cat 2	01-38-15C
19	1	IG143222	Gammel type støttebein	Old type support leg	01-56-07

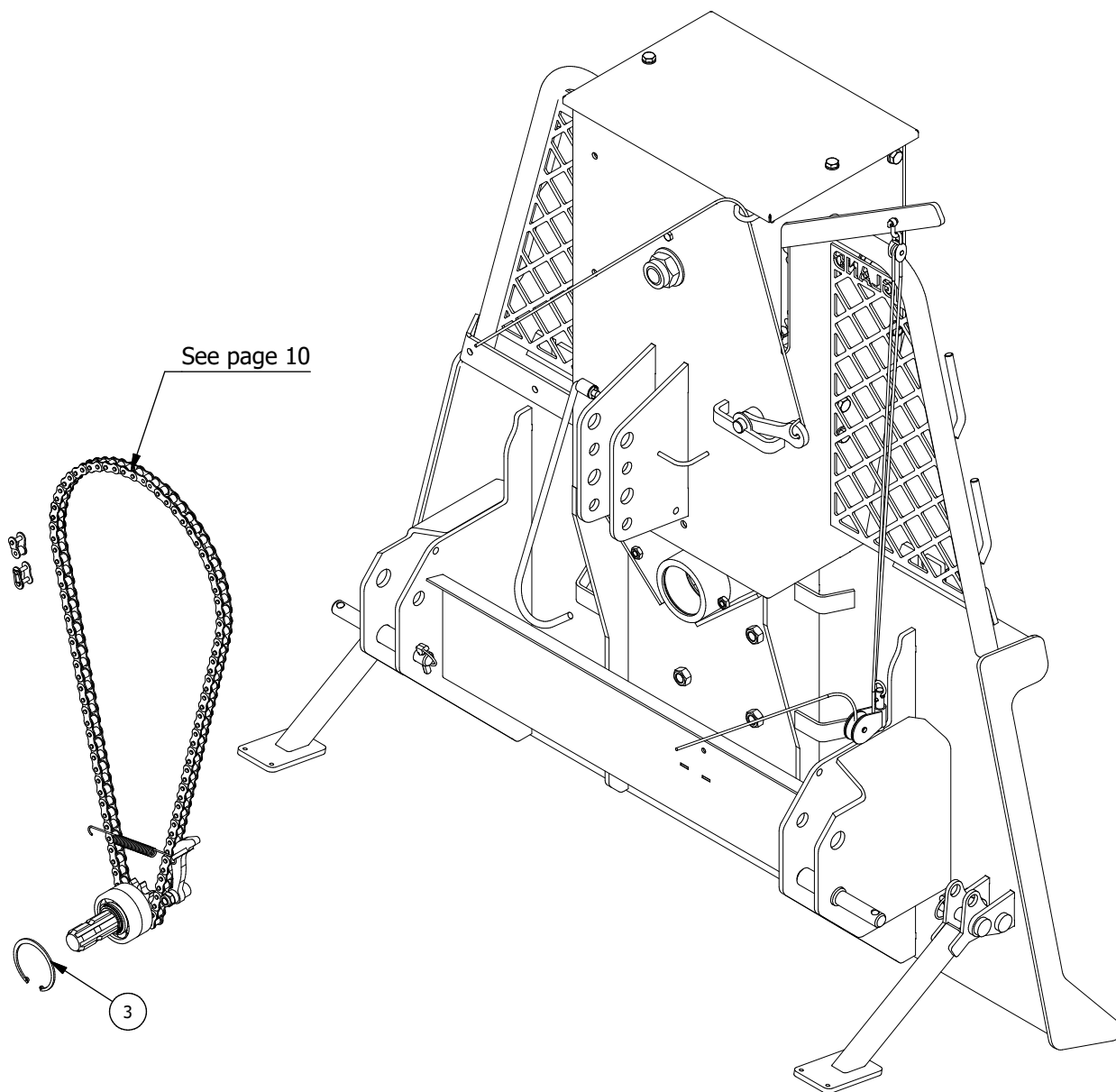
2. DRUM SET



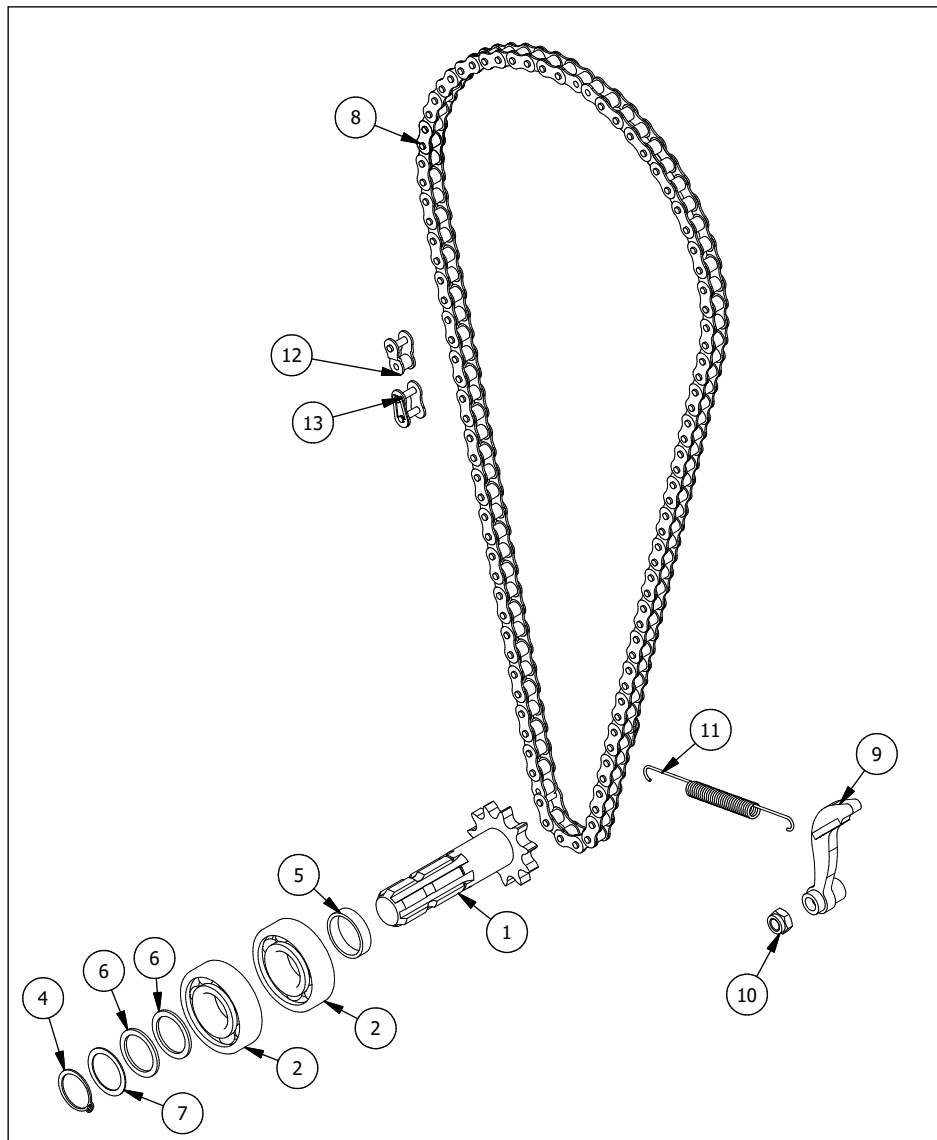


RESERVEDELSLISTE – SPARE PARTS LIST					
Pos.	Qty	Item No./ Varenummer	Beskrivelse	Description	Specification
1	1	IG143030	Trommelgrind	Drum protection	01-37-38
2	1	IG122030	Skive	Washer	122030
3	1	IG012590	Mutter	Hex Nut	DIN 985 - M30
4	1	IG143006	Bakplate	Backplate	01-37-07
5	1	IG143230	Strammeskruer subbebrems	Adjustment screw for sub brake	01-56-13
6	9	IG012270	Mutter	Hex Nut	ISO 10511 - M12
7	8	IG012842	Bolt	Hex-Head Bolt	DIN 933 - M12 x 25
8	8	IG012274	Skive	Washer	DIN 125 - A 13
9	1	IG027250	Fjær	Spring	027250-ute
10	1	IG143228	Subbebrems	Subbed brake	01-56-04
11	1	IG017167	Bolt	Hex-Head Bolt	DIN 931-1 - M12 x 90
12	1	IG012198	Mutter	Hex Nut	ISO 10511 - M8
13	1	IG012762	Bolt	Hex-Head Bolt	DIN 933 - M8 x 25
14	1	IG143234	Betjeningsspak, mekanisk	Operation lever for mechanical winch	01-56-08D
15	1	IG143010	Trommel	Drum	01-37-05
16	1	IG145094	Clutchlamellkloss, sett av 3 stk	Clutch set (3 pads)	IG145094
17	1	IG143008	Aksel	Drum axle	01-37-03A
18	1	IG122028	Hylse	Sleeve	01-37-03B
19	5	IG026062	Lager, kule	Deep groove ball bearings single row with two RS1 seals SKF	DIN 625 SKF - SKF 6306-2RS1
20	1	IG122020	Fjær, trykk	Spring	01-36-03B
21	1	IG031205	Shims	Regulation shim	031205 Shims 30x42x2,5
22	1	IG143013	Kjedehjul 3/4"	Chain wheel 3/4"	01-37-04
23	1	IG026350	Lager, kule aksial	Thrust Ball Bearing	DIN 711 - 511 13 - 65 x 90 x 18
24	1	IG026363	Lager, splittet	Bearing, special cut	026363
25	1	IG143226	Ekspansjonsspak	Expansion lever	01-56-11
26	1	IG122026	Ekspansjonsring	Expansion ring	01-38-06B

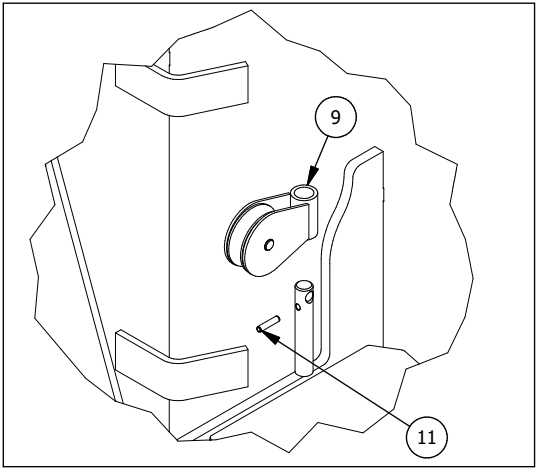
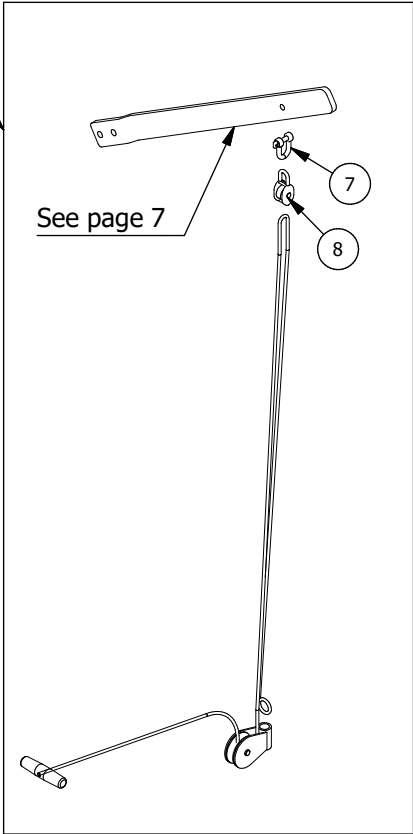
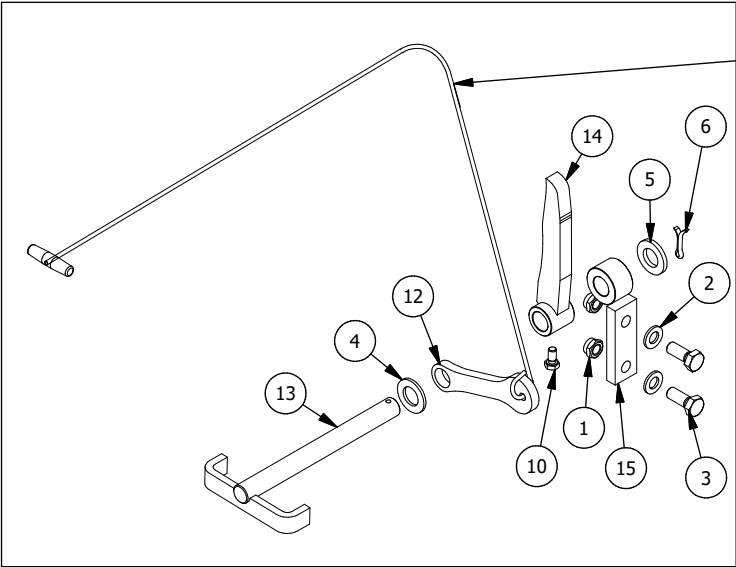
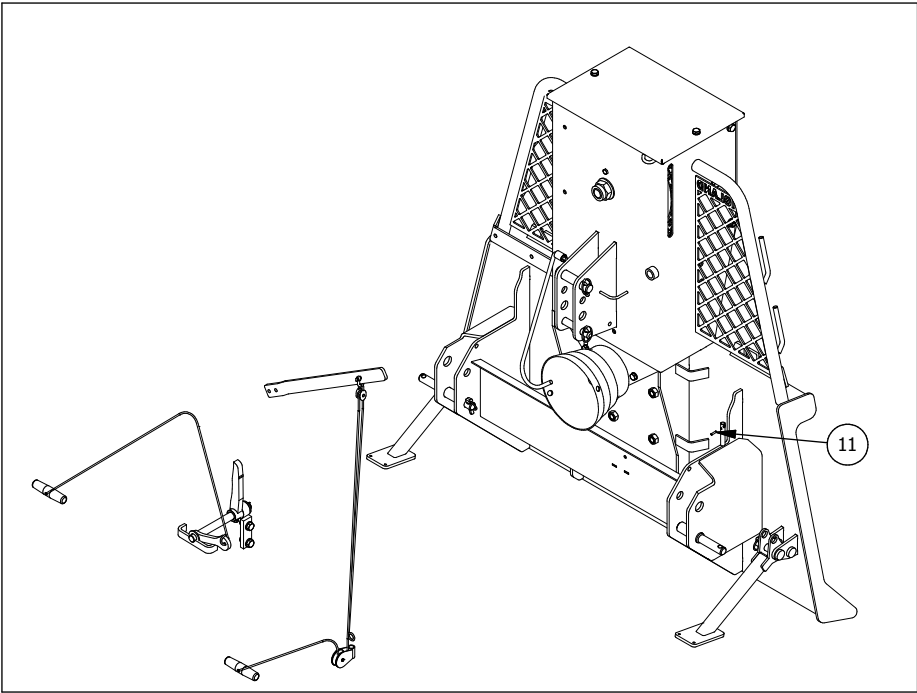
3. CHAIN WHEEL AND CHAIN TIGHTENER



RESERVEDELSLISTE – SPARE PARTS LIST					
Pos.	Qty	Item No./ Varenummer	Beskrivelse	Description	Specification
1	1	IG070318	Kjedehjul	Chain wheel, 3/4", 11t, with axle	01-36-06B
2	2	IG026063	Lager	Deep groove ball bearings single row with two RS1 seals SKF	DIN 625 SKF - SKF 6307-2RS1
3	1	IG026909	Seegering	Spring Retaining Ring	DIN 472 - 80 x 2,5
4	1	IG026719	Seegering	Retaining rings for shaft	DIN 471 - 35x1,5
5	1	IG122034	Avstandshylse	Retaining ring	01-56-08A
6	-	IG031325	Shims	Shims	031325
7	-	IG031324	Shims	Shims	031324
8	1	IG070375	Kjede, kpl	Chain, cpl	Kjede 3-4 tom 42 42S
9	1	IG143232	Kjedestrammer	Chain tensioneer for winch	01-56-03
10	1	IG012270	Mutter	Hex Nut	DIN 985 - M12
11	2	IG027250	Fjær	Spring	027250-ute
12	1	IG070368	Halvledd	Chain 1/2 link	Kjede 12B halvledd
13	1	IG070369	Kjedelås	Chain locking	Kjede 12B lås

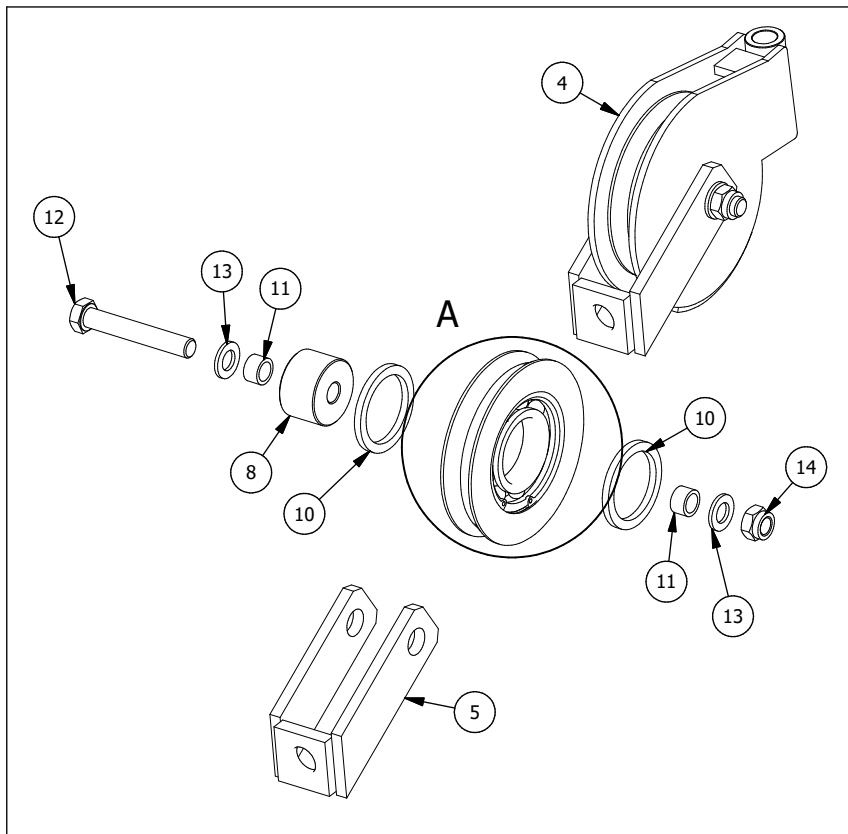
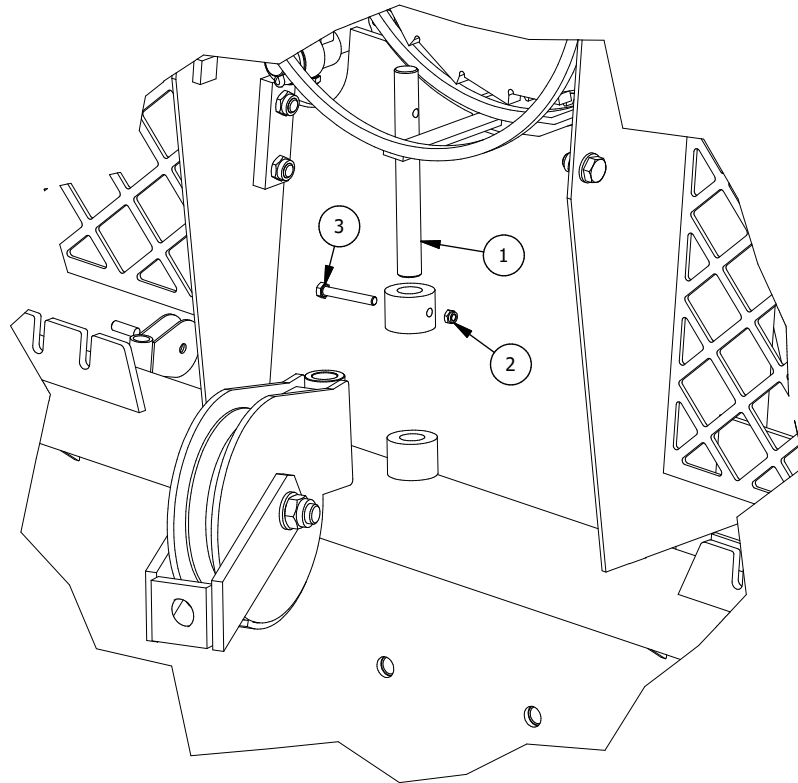


4. HANDLE FOR PAL BARRIER AND DRUM LOCKER

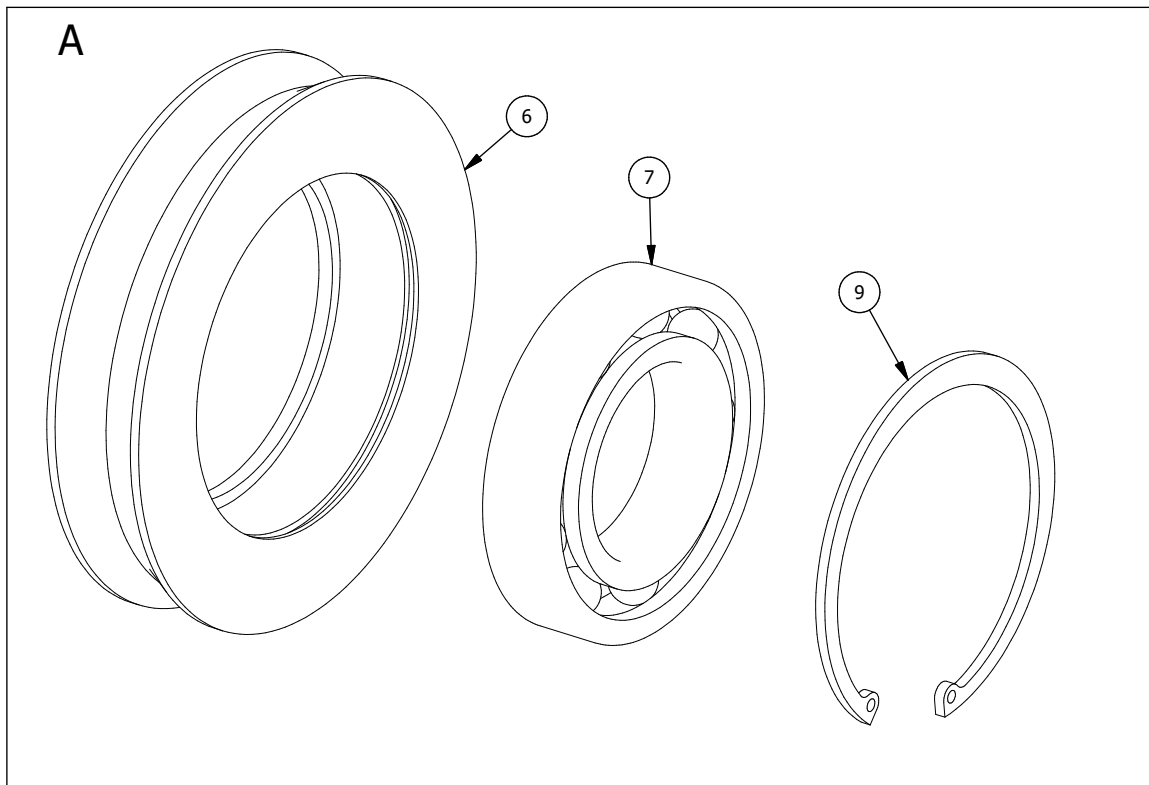


RESERVEDELSLISTE – SPARE PARTS LIST					
Pos.	Qty	Item No./ Varenummer	Beskrivelse	Description	Specification
1	2	IG012270	Mutter	Hex Nut	ISO 10511 - M12
2	2	IG012843	Skive	Washer	DIN 125 - A 13
3	2	IG012843	Bolt	Hex-Head Bolt	DIN 933 - M12 x 30
4	1	IG012394	Skive	Washer	DIN 125 - A 21
5	1	IG010415	Skive	Washer A	ASTM F436 - 3/4
6	1	IG021048	Saksespilint	Split Pin	DIN EN ISO 1234 - 5x24
7	1	IG022253	Sjakkell 1/4"	Shackle 1/4"	IG022253
8	1	IG022165	Blokk enkel 1/4"	Block 1/4"	IG022165
9	1	IG133012	Trinse til tau	Pulley	01-38-19
10	1	IG012760	Bolt	Hex-Head Bolt	DIN 933 - M8 x 20
11	1	IG020815	Spennhylse	Spring-type straight pins - Slotted, light duty	ISO 13337 - 4 x 18
12	1	IG143246	Velgerspak for Ø20 bolt	Handle for pal barrier for Ø20 bolt	01-56-08E
13	1	IG133240	Pal aksel Ø20 bolt	Drum lock lever Ø20 bolt	01-56-14
14	1	IG143242	Pal for Ø20 bolt	Ratchet for Ø20 bolt	01-56-15
15	1	IG143244	Opplagringshylse m/brakett for Ø20 bolt	Bracket for Ø20 bolt	01-56-16
16	1	IG153042	Snorbetjening, kpl.	Operation cord, cpl.	

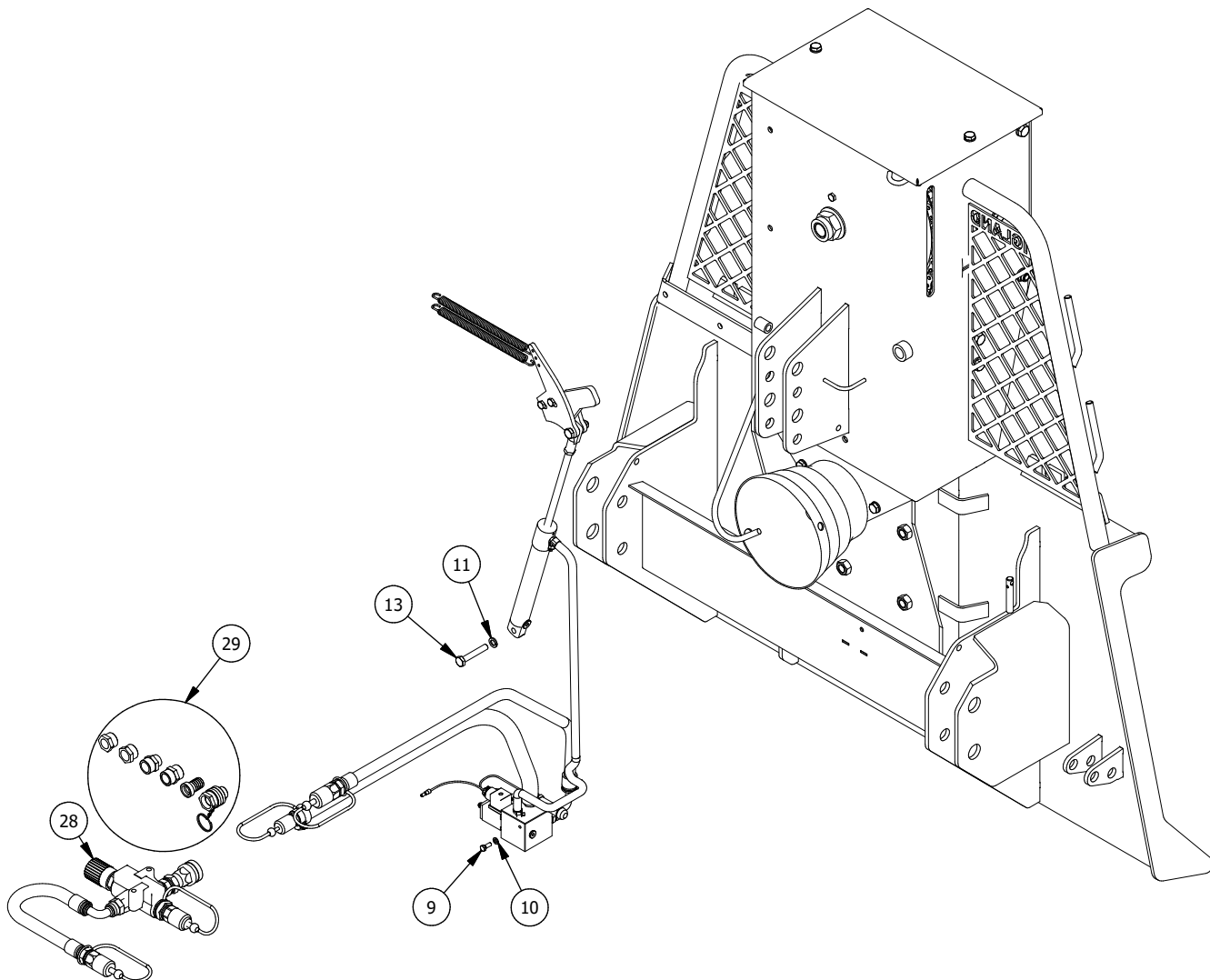
5. WIRE DIRECTIONNEER

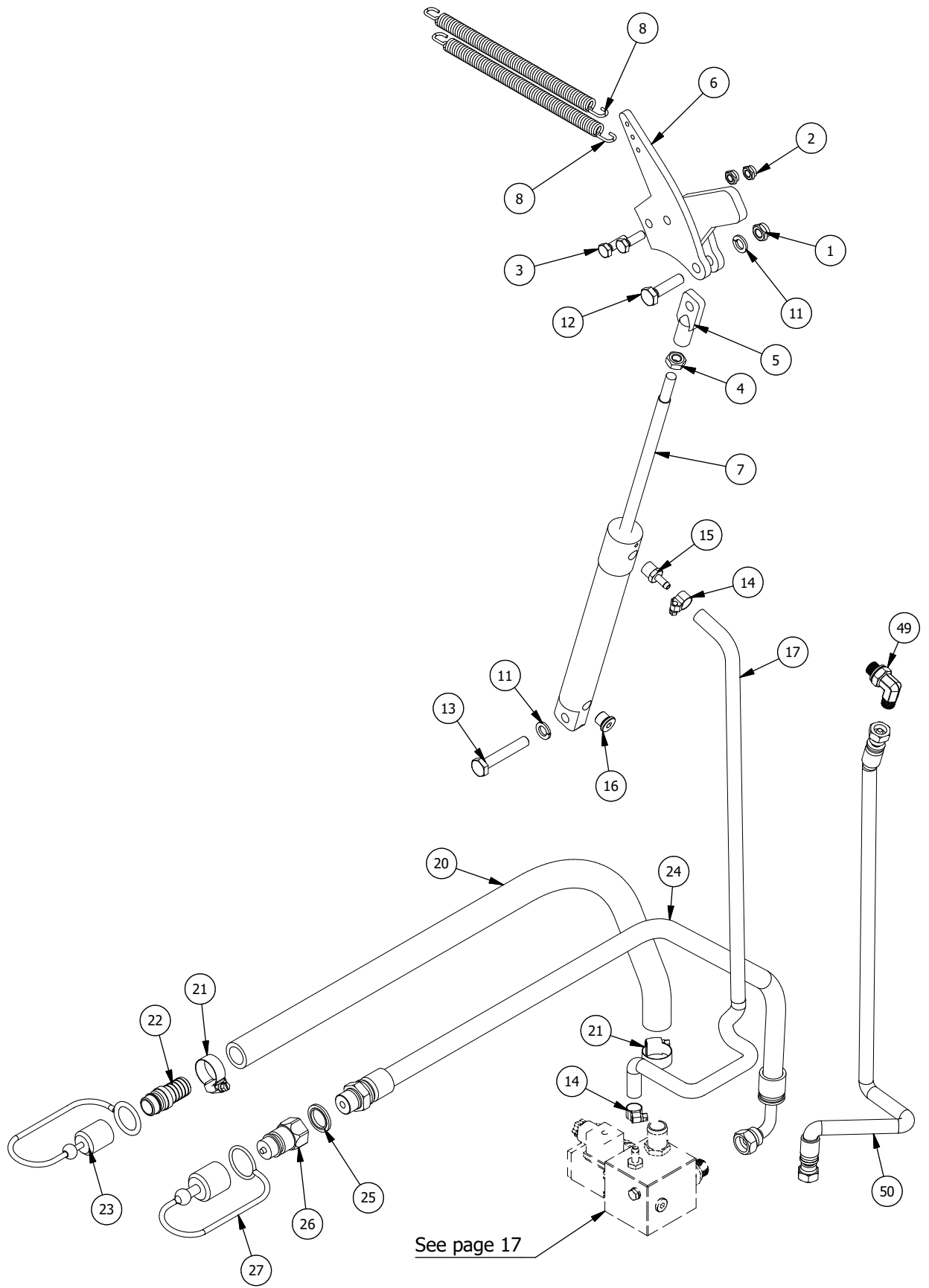


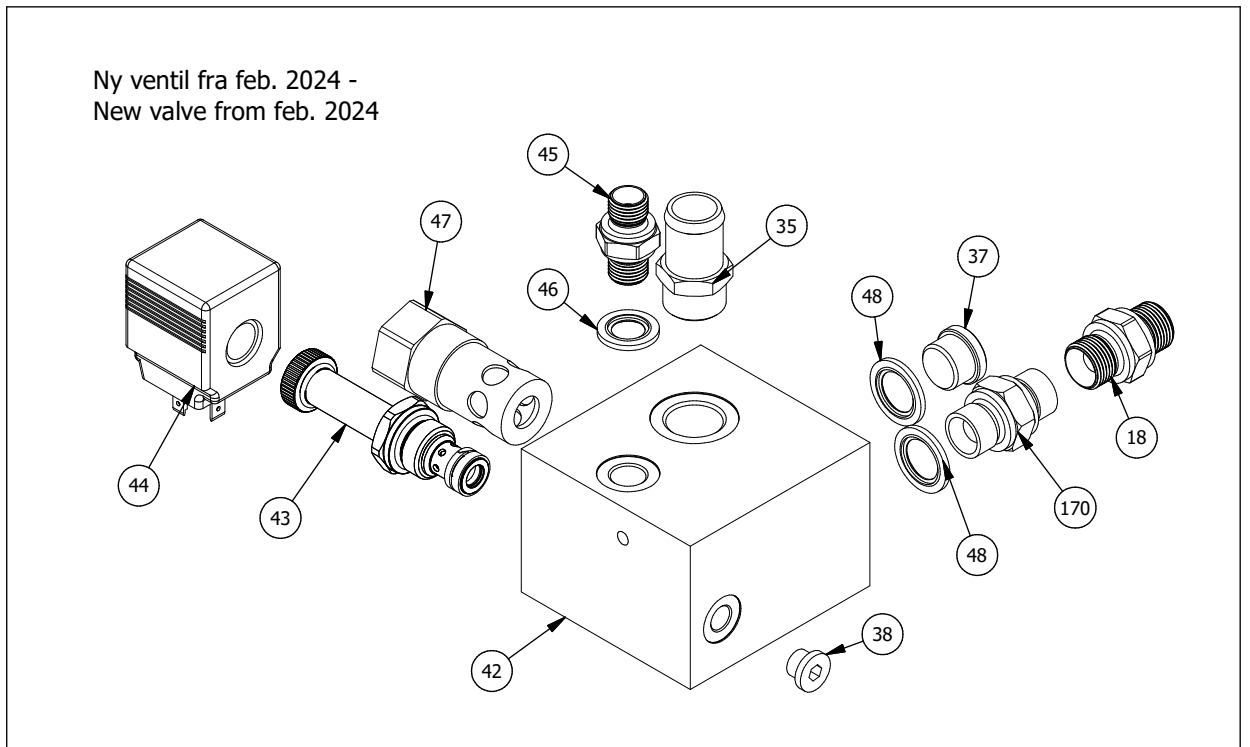
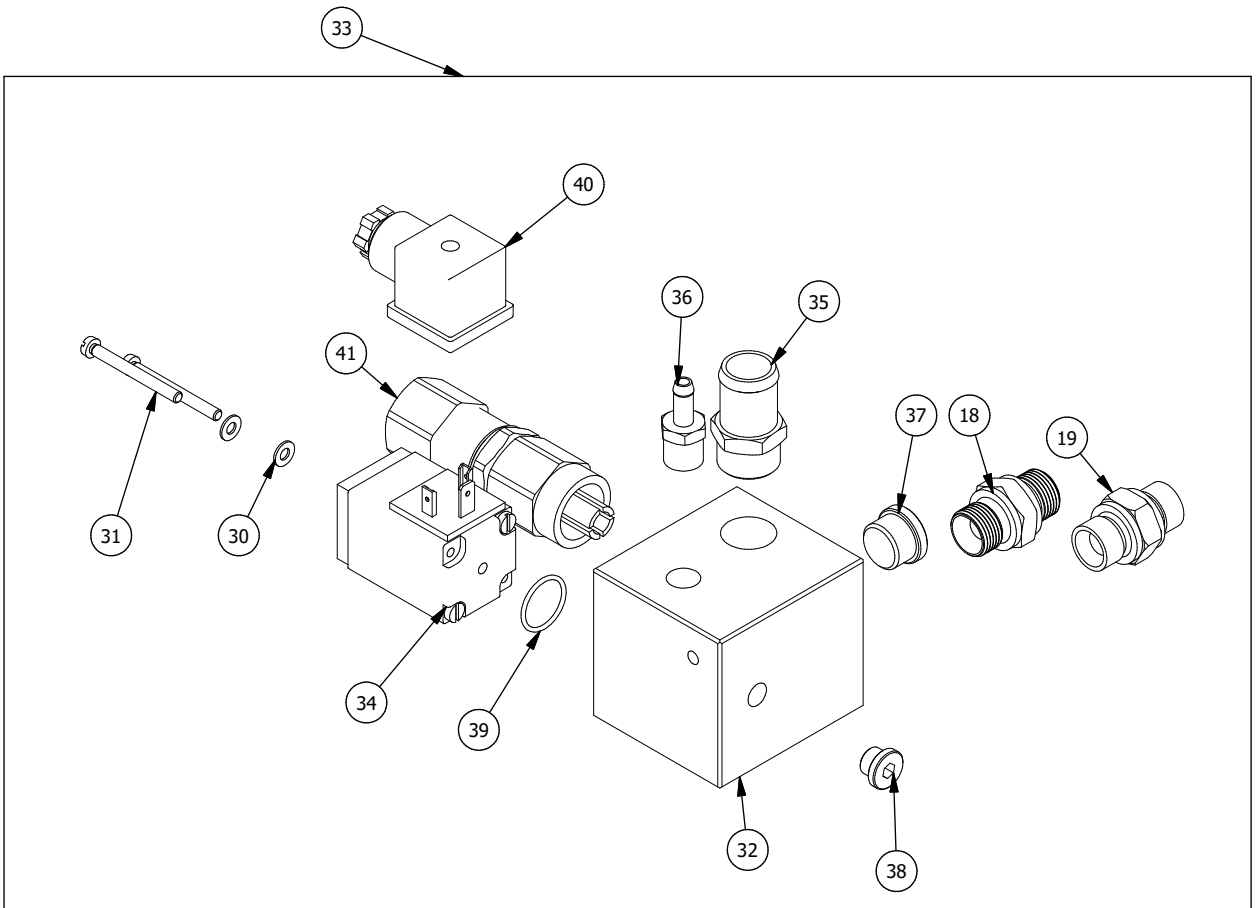
RESERVEDELSLISTE – SPARE PARTS LIST					
Pos.	Qty	Item No./ Varenummer	Beskrivelse	Description	Specification
1	1	IG122050	Bolt, inntreksblokk	Pin	01-37-10 p4
2	1	IG012118	Mutter	Hex Nut	DIN 985 - M6
3	1	IG012087	Bolt	Hex-Head Bolt	DIN 931-1 - M6 x 50
4	1	IG143130	Inntreksblokk, kpl.	Haul in block	01-37-10
5	1	IG158368	Wirestyring	Wire directioner	01-38-10B
6	1	IG158364	Trinse	Pulley	20-11-01
7	1	IG026036	Lager	Deep groove ball bearings single row with two RS1 seals SKF	DIN 625 SKF - SKF 6211-2RS1
8	1	IG158366	Hylse	Bushing	01-38-10D
9	1	IG026920	Seegering	Spring Retaining Ring	DIN 472 - 100 x 3
10	2	IG158365	Ring	Washer	01-38-10p9
11	2	IG158367	Hylse	Bushing	01-38-10E
12	1	IG012335	Bolt	Hex-Head Bolt	DIN 931-1 - M16 x 100
13	2	IG012354	Skive	Washer	DIN 125 - A 17
14	1	IG012350	Mutter	Hex Nut	DIN 985 - M16



6. ONLY HYDRAULIC VERSION - HYDR. LH OPERATION, CPL





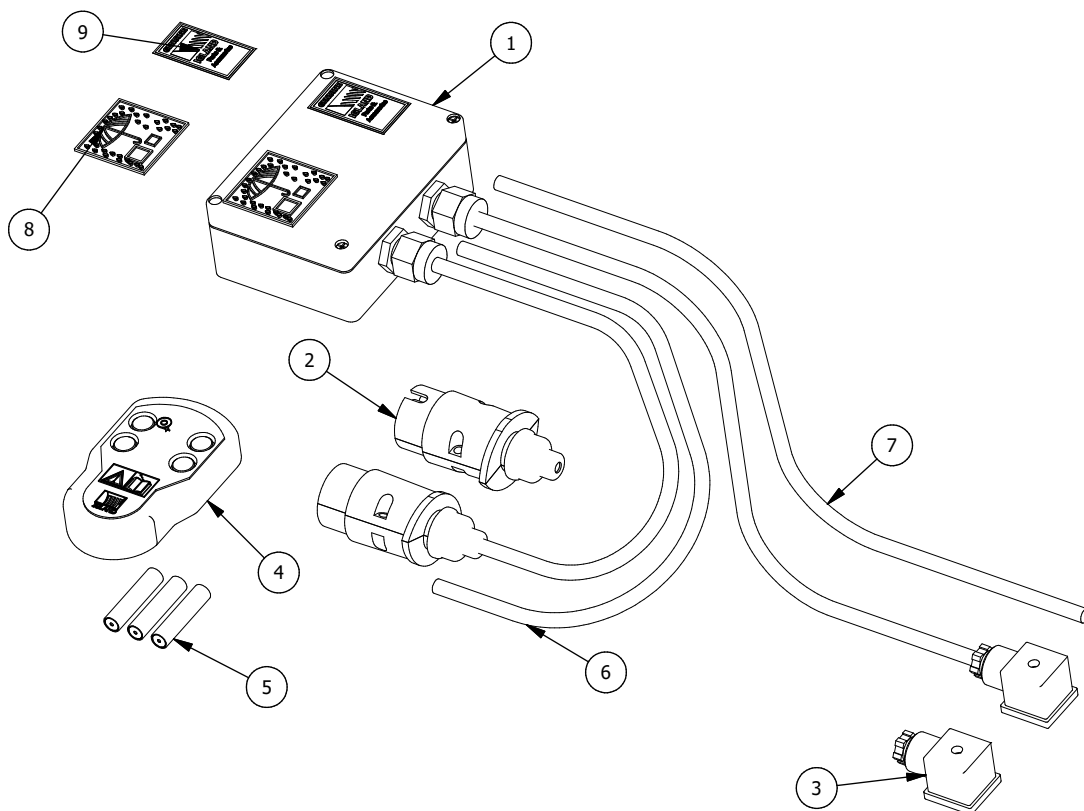


RESERVEDELSLISTE – SPARE PARTS LIST					
Pos.	Qty	Item No./ Varenummer	Beskrivelse	Description	Specification
1	1	IG012231	Mutter	Hex Nut	ISO 10511 - M10
2	2	IG012198	Mutter	Hex Nut	ISO 10511 - M8
3	2	IG012762	Bolt	Hex-Head Bolt	DIN 933 - M8 x 25
4	1	IG012237	Mutter	Hex Nut	DIN 555-5 - M10
5	1	IG143252	Feste for stempelstang	Bracket for piston rod	01-38-22A-p04
6	1	IG143250	Sylinderfeste mot spak	Cylinder Bracket	01-56-51
7	1	IG095020	Sylinder, kpl	Cylinder, cpl.	01-51-33A-Stempelstang
8	2	IG027251	Fjær	Spring	027251
9	1	IG012678	Bolt	Hex-Head Bolt	DIN 933 - M6 x 16
10	1	IG012115	Skive	Spring Washer	DIN 127 - A 6
11	1	IG012234	Skive	Spring Washer	DIN 127 - A 10
12	1	IG012805	Bolt	Hex-Head Bolt	DIN 933 - M10 x 40
13	1	IG012209	Bolt	Hex-Head Bolt	DIN 931-1 - M10 x 60
14	2	IG017485	Slangeklemme	Hose clamp	017485-Ø14
15	1	IG049814	Slangenippel	Nipple hose	049814
16	1	IG049726	1/4" Plugg stål	Plug 1/4"	049726
17	1	IG044057	Slange	Hose	044057
18	1	IG048009	Nippel	Fitting ext BSP 3/8" x ext BSP 3/8"	048009
19	1	IG049851	Nippel, struping for lukket senter	Nipple for closed center	049851
20	1	IG044219	Slange	Hose	044219
21	2	IG017477	Slangeklemme	Hose clamp	017477-Ø28
22	1	IG047074	Hurtigkobling handel	Quick coupler	047074
23	1	IG047077	Støvhette, blå	Dust protection, blue	047077
24	1	IG058870	Slange	Hose	058870
25	1	IG047143	Skive m/gummipakning	Washer w/rubber	047143
26	1	IG047032	Hurtigkobling han	Quick coupler han	047032
27	1	IG047033	Støvhette rød for hankobling	Dust protection red	047033
28	1	IG090378	Oljefordelingsventil, kpl.	Oil flow control valve	090378
29	1	IG049450	Motstandsfrir retur, sett	Resistance-free oil return	049823
30	2	IG012036	Skive	Washer	DIN 125 - A 4,3
31	2	IG013895	Bolt	Slotted cheese head screws - Product grade A	ISO 1207 - M4 x 40(1)
32	1	IG090259	Ventilblokk 1 funksjon	Valve block 1 function	090259
33	1	IG090249	Ventilblokk, kpl.	Valve block, cpl.	01-56-52
34	1	IG090290	Magnetventil	Solenoid valve	090290
35	1	IG049813	Nippel, slange	Nipple, hose	049813
36	1	IG049814	Slangenippel	Nipple hose	049814
37	1	IG049801	Plugg 3/8"	Plug 3/8"	049801
38	1	IG049802	Plugg 1/8"	Plug 1/8"	049802
39	1	IG024718	O ring	O ring	024718
40	1	IG090276	Strømtilkobling	Power connection	090276
41	1	IG090293	Trykkreguleringsventil, kpl	Pressure control valve	090293

RESERVEDELSLISTE – SPARE PARTS LIST					
Pos.	Qty	Item No./ Varenummer	Beskrivelse	Description	Specification
42	1	IG098001U	Ventilbukk	Valve block	
43	1	IG098011	Sleideventil	Solenoid	
44	1	IG098012	Spole	Spool	
45	1	IG048001	Nippel, 1/4"	Adapter, 1/4"	048001
46	1	IG047141	Skive m/gummipakning	Washer w/rubber	047141
47	1	IG098013	Adapter for trykkregulator	Adapter for pressure regulator	IG098013
48	2	IG047142	Skive m/gummipakning	Washer w/rubber	5601-01-06 hydroscand
49	1	IG048410	Vinkeladapter, for ny ventil (se side 17)	Adapter, for new valve (see page 17)	Hydroscand 7204-04-04
50	1	IG057006	Slange 700 mm 1/4" BSP - 1/4" BSP for ny ventil (se side 17)	Hose 700mm 1/4" BSP - 1/4" BSP, for new valve (see page 17)	N58410

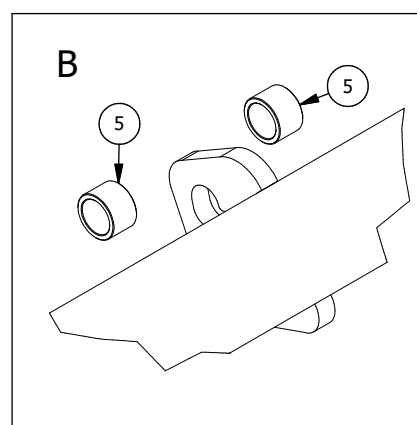
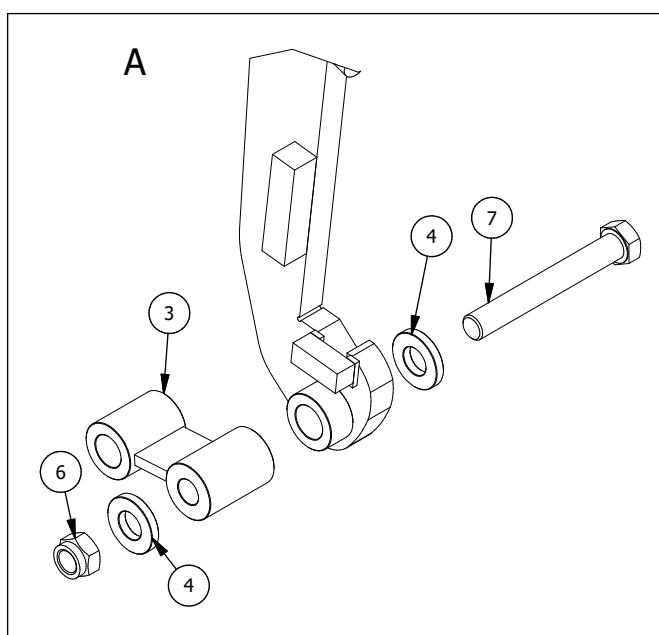
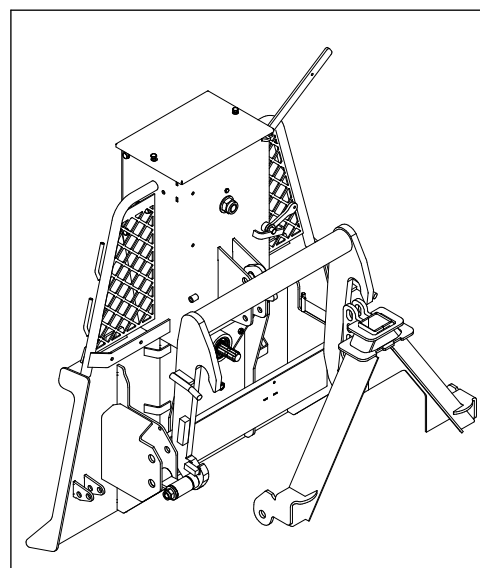
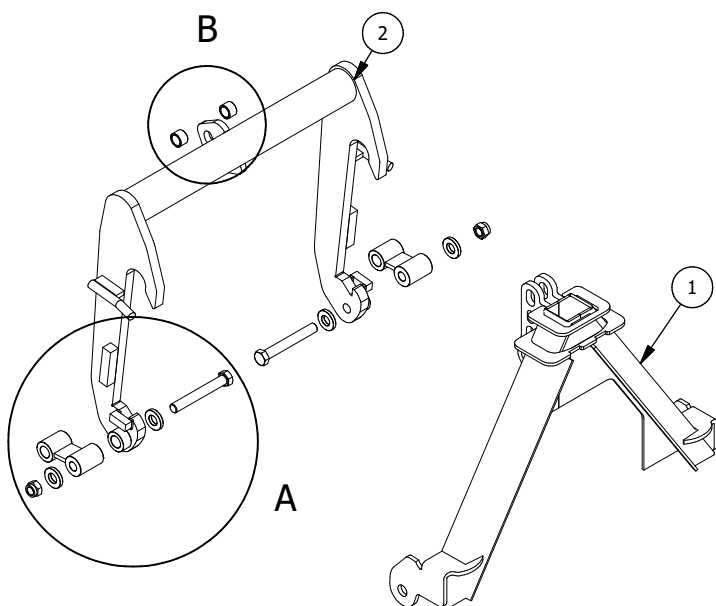
7. OPTION - RADIO CONTROL SET, CPL

RESERVEDELSLISTE – SPARE PARTS LIST					
Pos.	Qty	Item No./ Varenummer	Beskrivelse	Description	Specification
1	1	IG095560	Mottaker 2,4 Ghz kpl. m/kabel og kontakter	Receiver 2.4 Ghz	095560
2	1	IG090765	Tilhengerstøpsel, 7 pol	Trailer plug, 7 pol	090765
3	1	IG090276	Strømtilkobling	Power connection	090276
4	1	IG095621	Radiosender 2,4 Ghz	Radio transmitter 2,4 Ghz	095621
5	3	IG095370	Batteri 1,5V AAA	Battery 1.5V AAA	095370
6	1	IG028113	Kabel	Cable	028113
7	1	IG028114	Kabel	Cable	028114
8	1	IG391426	Klebmerke	Stickers	391426
9	1	IG391427	Klebmerke	Stickers	391427



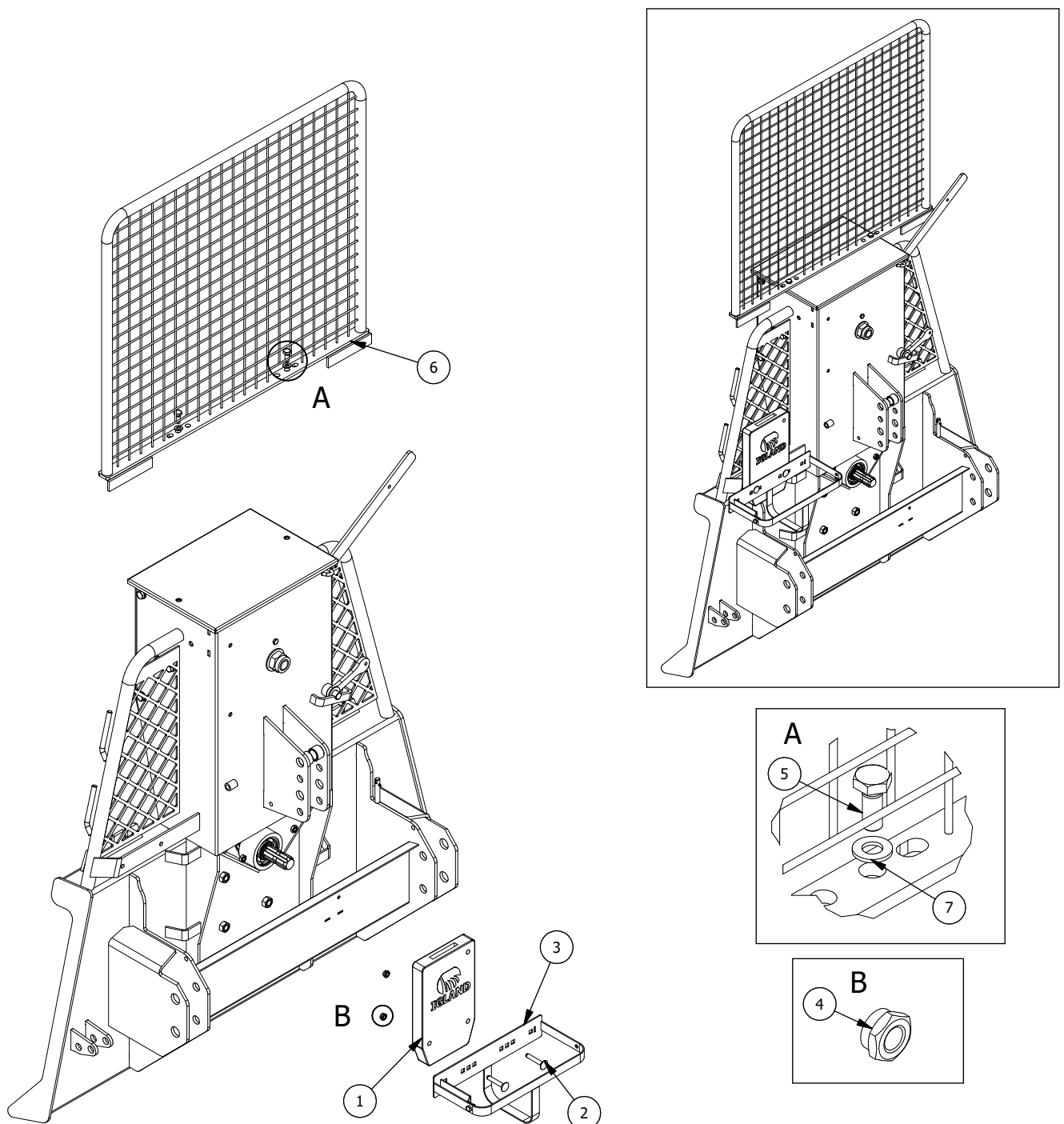
8. OPTION - HMV FRAME AND TRIANGLE SPECIAL FITTED QUICK COUPLER

RESERVEDELSLISTE – SPARE PARTS LIST					
Pos.	Qty	Item No./ Varenummer	Beskrivelse	Description	Specification
1	1	IG143210	Igland triangel adapter	Igland triangle adapter	05-41-04
2	1	IG143174	HMV Ramme	HMV Frame	05-62-01
3	2	IG143172	HMV Ramme,mellomstykke	HMV Frame,distance part	05-62-03
4	4	IG143171	HMV Ramme, skive	HMV Frame, washer	05-62-02
5	2	IG143173	Hylse	Sleeve	05-62-02B
6	2	IG012470	Mutter	Hex Nut	DIN 985 - M22
7	2	IG012460	Bolt	Hex-Head Bolt	DIN 931-1 - M22 x 160



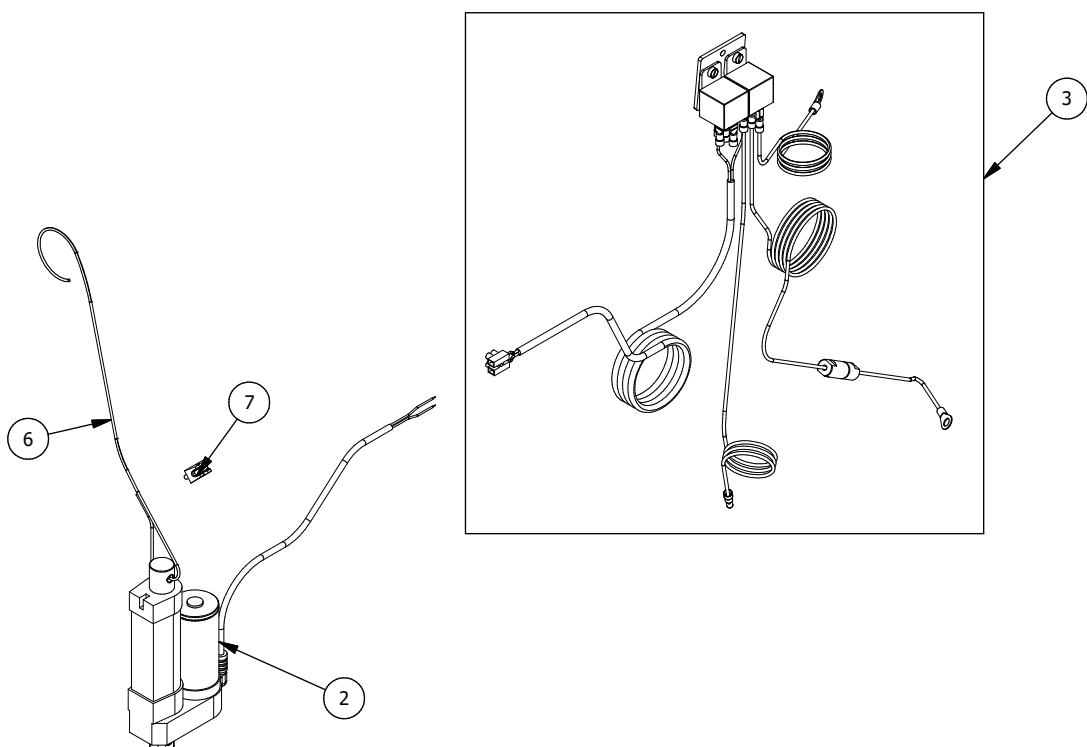
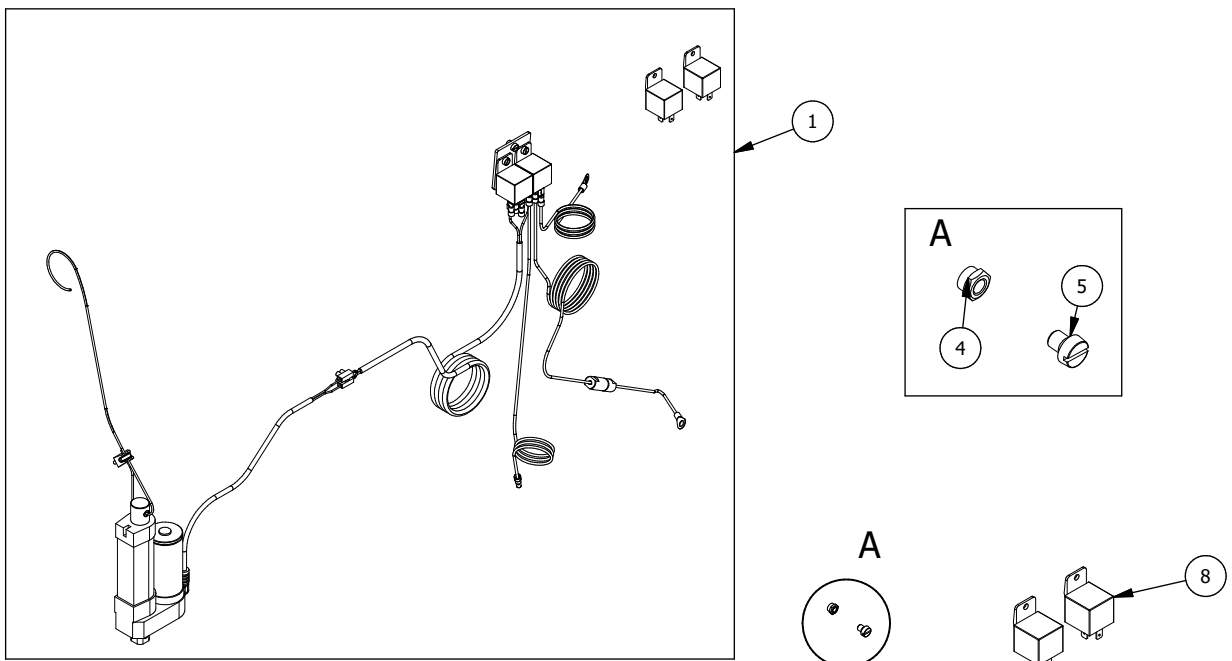
9. OPTION - PROTECTION SCREEN AND HOLDERS

RESERVEDELSLISTE – SPARE PARTS LIST					
Pos.	Qty	Item No./ Varenummer	Beskrivelse	Description	Specification
1	1	IG022151	Motorsagholder	Chain holder	100605
2	2	IG016067	Plogbotter	Cup Head Square Neck Bolt	DIN 603 - M10 x 60
3	1	IG022150U	Kombikanne holder	Fuel Can Holder Assembly	01-56-05
4	2	IG012231	Mutter	Hex Nut	ISO 10511 - M10
5	2	IG012804	Bolt	Hex-Head Bolt	DIN 933 - M10 x 35
6	1	IG159337	Toppgitter	Protection screen	02-29-01
7	2	IG012235	Skive	Washer	DIN 125 - A 10,5



10. OPTION - RPM CONTROL OF TRAKTOR

RESERVEDELSLISTE – SPARE PARTS LIST					
Pos.	Qty	Item No./ Varenummer	Beskrivelse	Description	Specification
1	1	IG091442	Turtallsregulering av traktor, kpl.	Speed control for traktor	
2	1	IG091444	Aktuator	Actuator	091444
3	1	IG091438	Relekopling, kpl	Relay set, cpl.	091438-3
4	1	IG012078	Mutter	Hex Nut	ISO 10511 - M5
5	3	IG013906	Bolt	Slotted Cheese Head Screw	ISO 1207 - M5 x 6
6	1	IG091421	Wire	Wire	091421
7	1	IG022328	Wireklemme	Wire clamp	022328
8	2	IG091439	Rele	Relay	091439



11. STICKERS

RESERVEDELSLISTE – SPARE PARTS LIST					
Pos.	Qty	Item No./ Varenummer	Beskrivelse	Description	Specification
1	1	IG390976	Klebmerke 42	Stickers 42	390976
2	1	IG390833	Klebmerke Igland logo	Stickers Igland logo	IG390833
3	1	IG392006	Klebmerke, CE N/A	Stickers, CE N/A	392006
4	1	IG391918	Klebmerke fare sakte uttrekk	Stickers slow movment	NM391918
5	1	IG391900	Klebmerke 540 Omdr	Sticker 540 Omdr	NM391900
6	1	IG391420	Klebmerke rotasjonsretning	Sticker rotation direction	NM391420
7	1	IG391415	Klebmerke snorbetjening	Sticker cord operation	NM391415

