

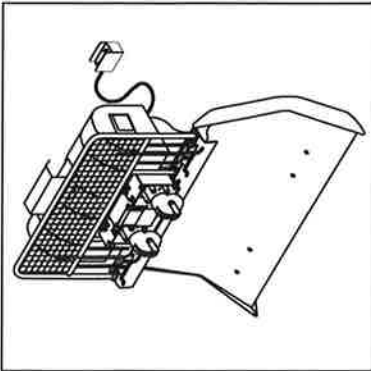


# **Pento 5002 TL**

## **Parts Catalogue**

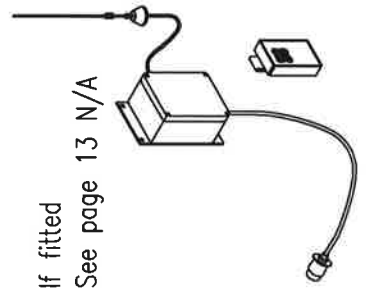
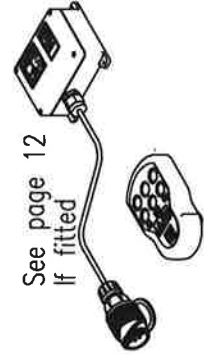
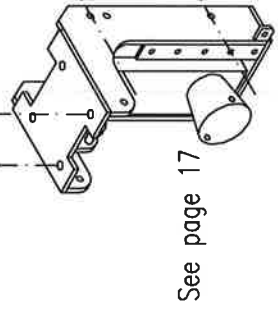
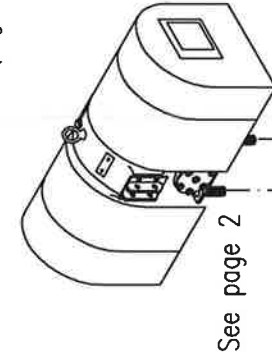
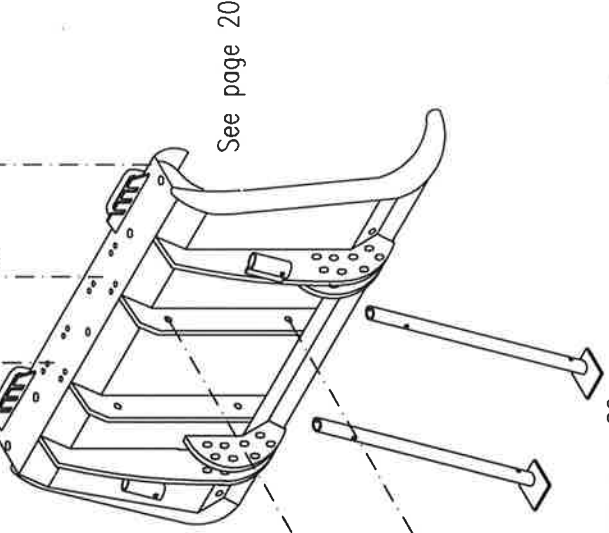
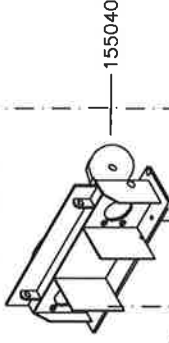
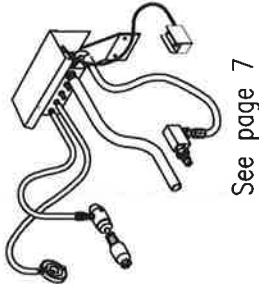
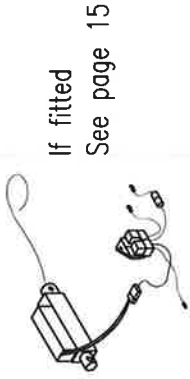
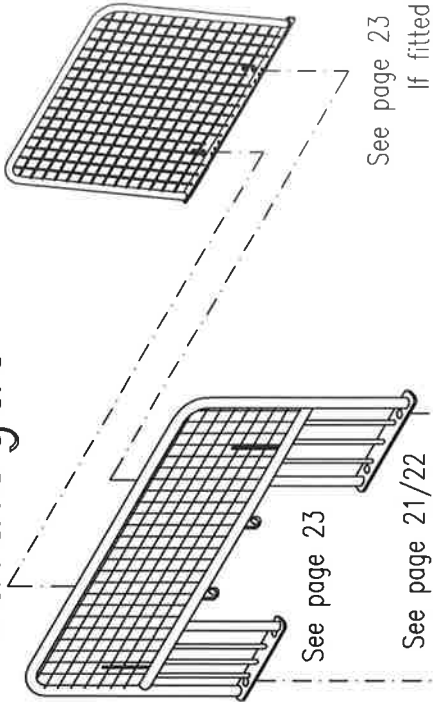
# IGLAND 5002 Pento TL and 5002 Pento Top Parts Catalogue

Serial No.: 5002201 →



**GENERAL INFO:**  
 This Parts Catalogue consists of 26 numbered pages.  
 This Catalogue: P/N 390352  
 N/A: Not Available  
 © IGLAND AS

- Gjengivelse av tekst og tegninger uten tillatelse forbudt.
- Reproduction of text or illustrations without permission is prohibited.
- Eine Wiedergabe von Texten und Zeichnungen ohne unsere Genehmigung ist nicht gestattet.
- Interdiction de toute reproduction de textes ou d'illustrations sans autorisation préalable.

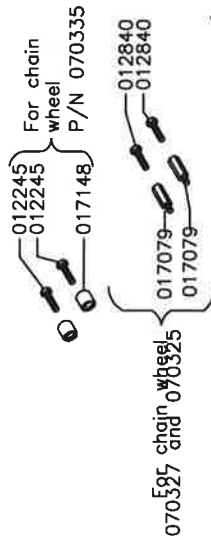
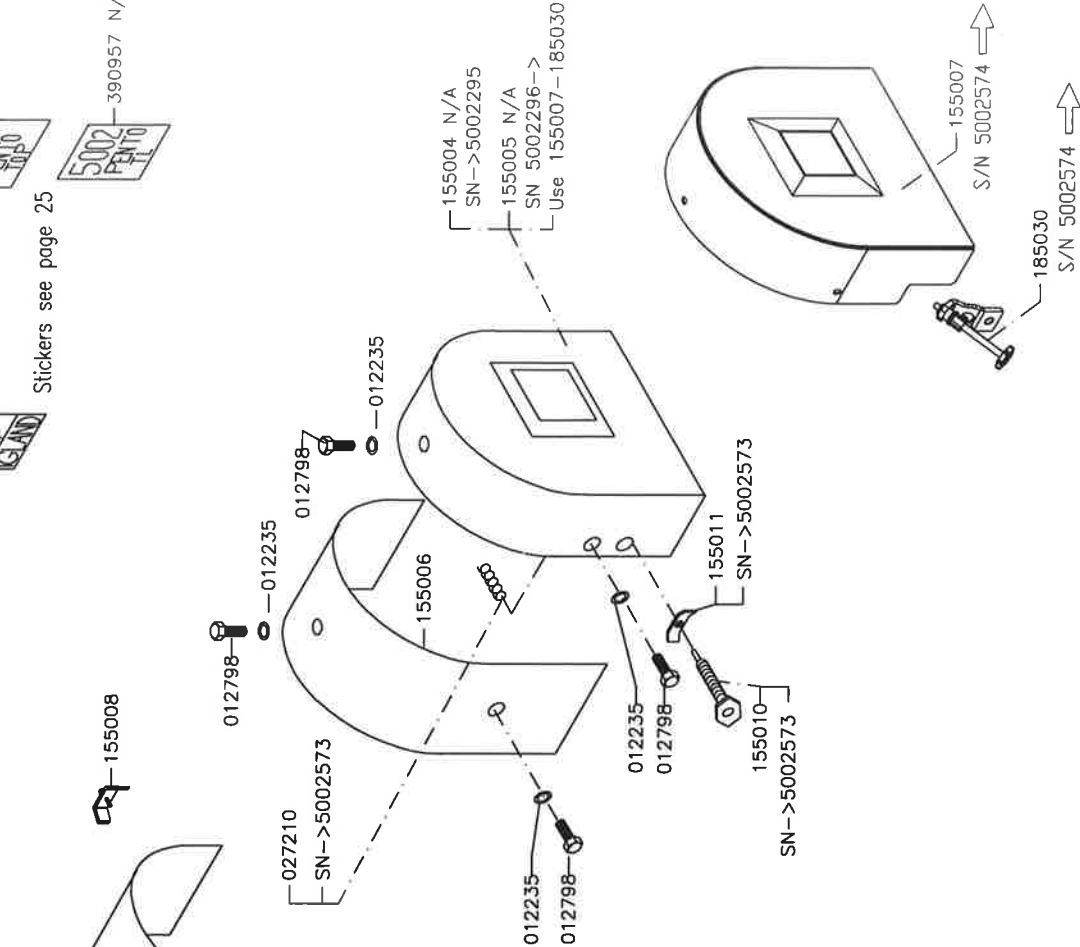
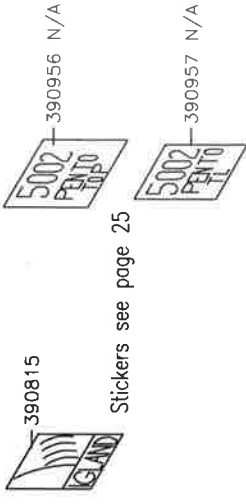
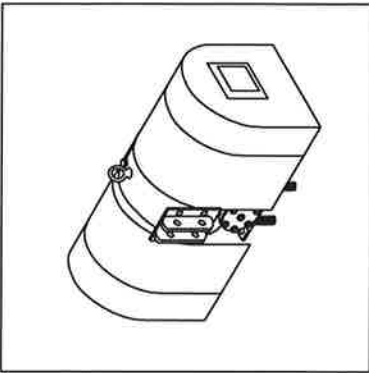


Approved:

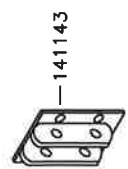
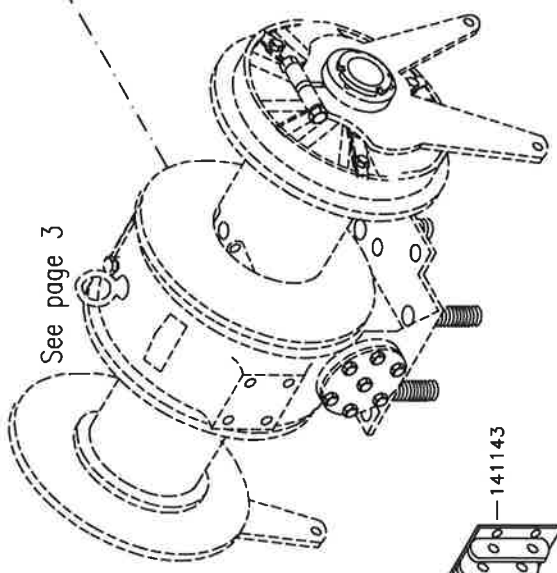
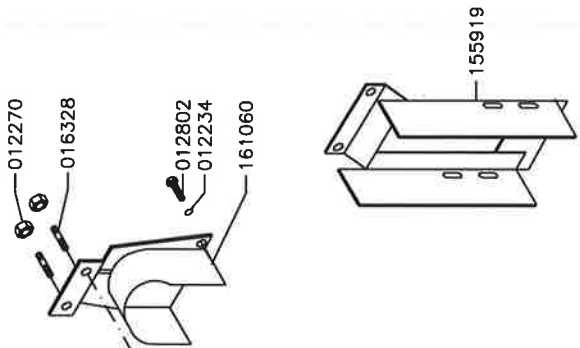
Revised: O.S. 01.04.2020  
Issued: AIS 03.09.98

# IGLAND 5002 Pento TL and 5002 Pento Top

”HEAD”



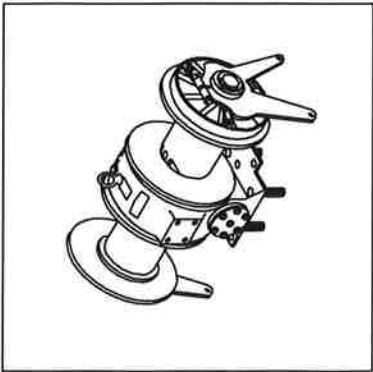
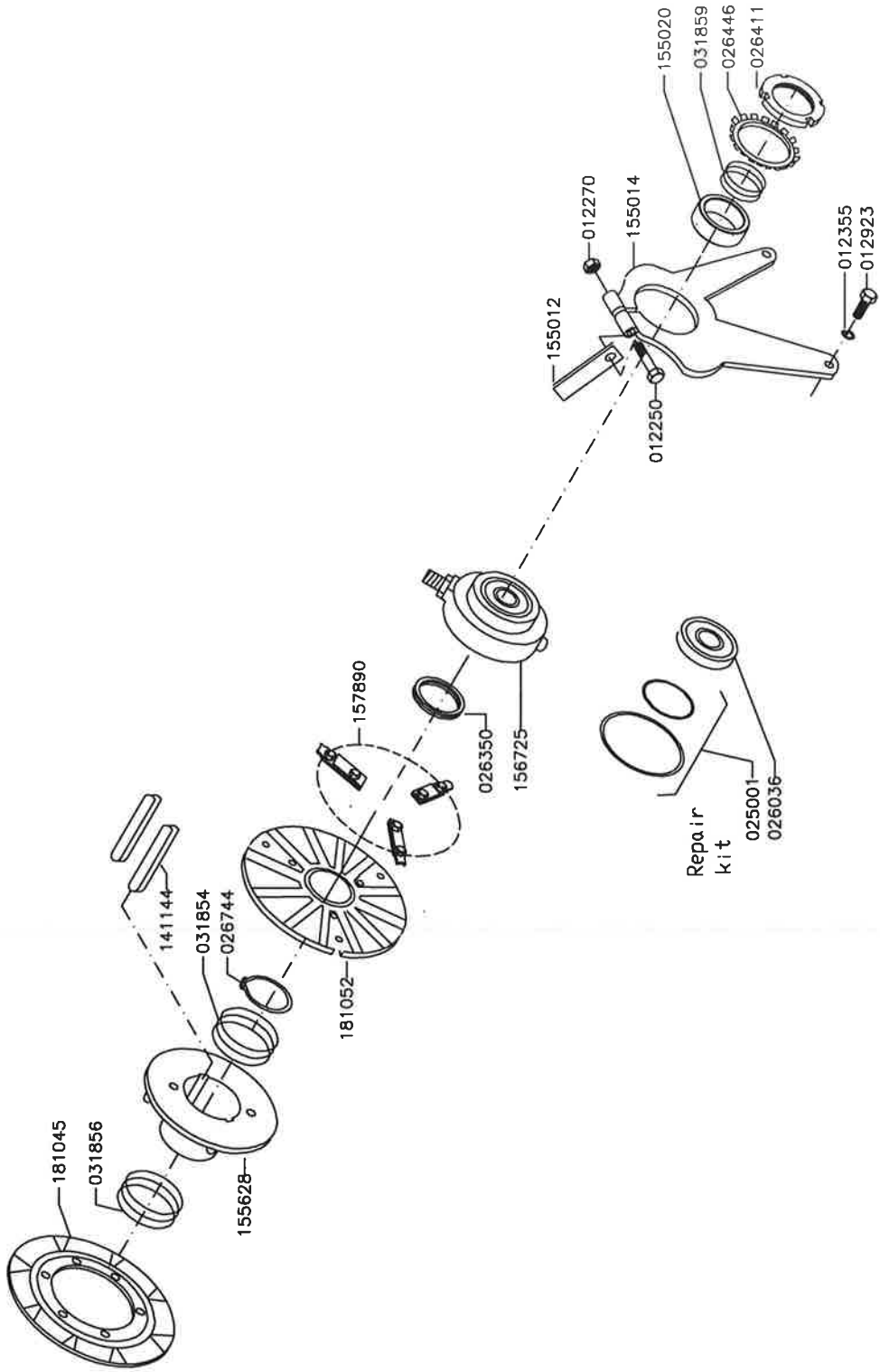
For 5002 Pento Top only



For 5002 Pento Top only

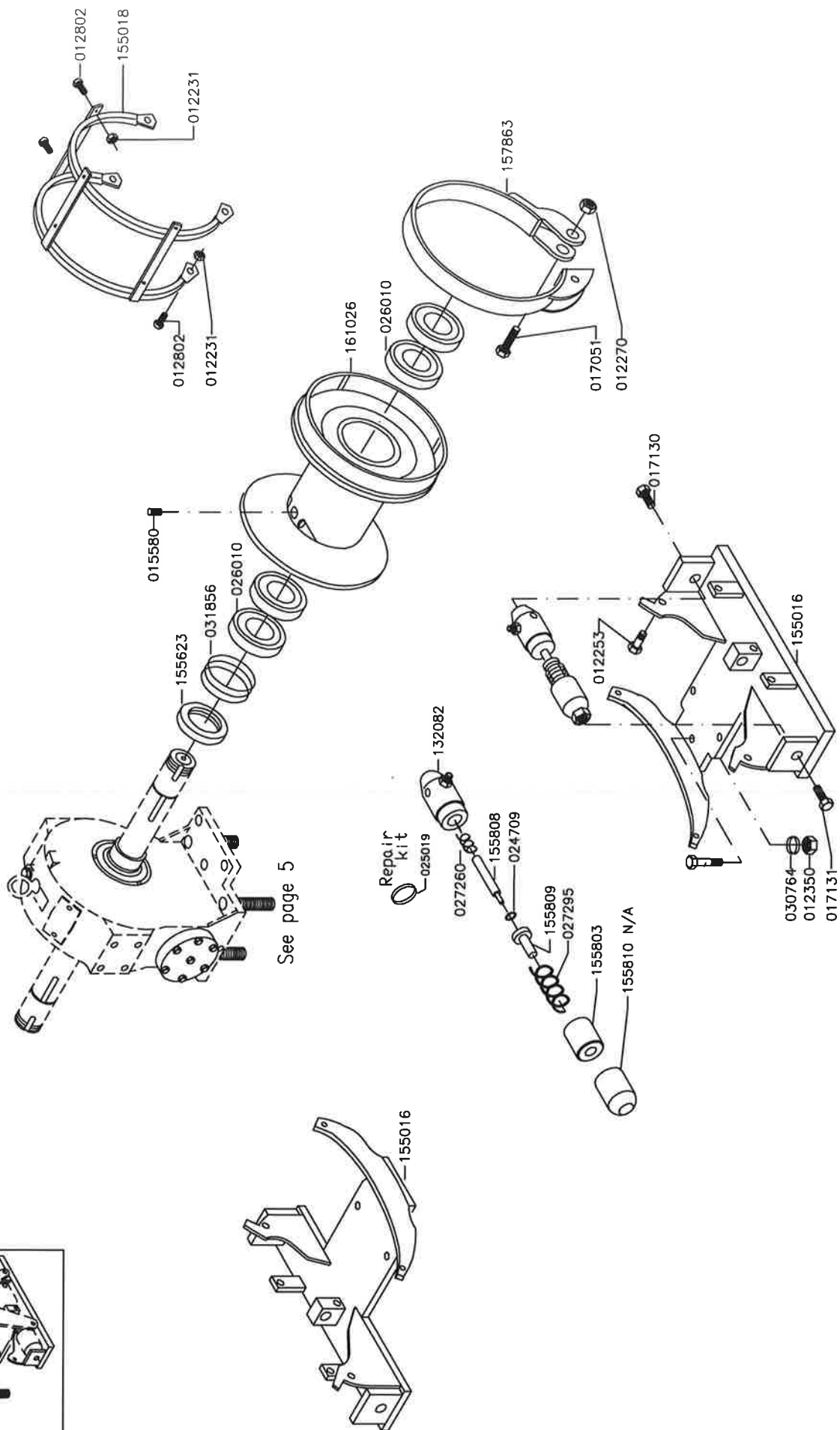
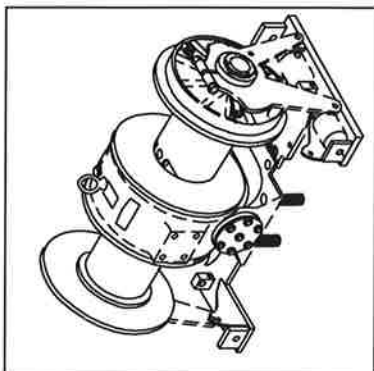
# IGLAND 5002 Pento TL 5002 Pento Top

”HEAD”



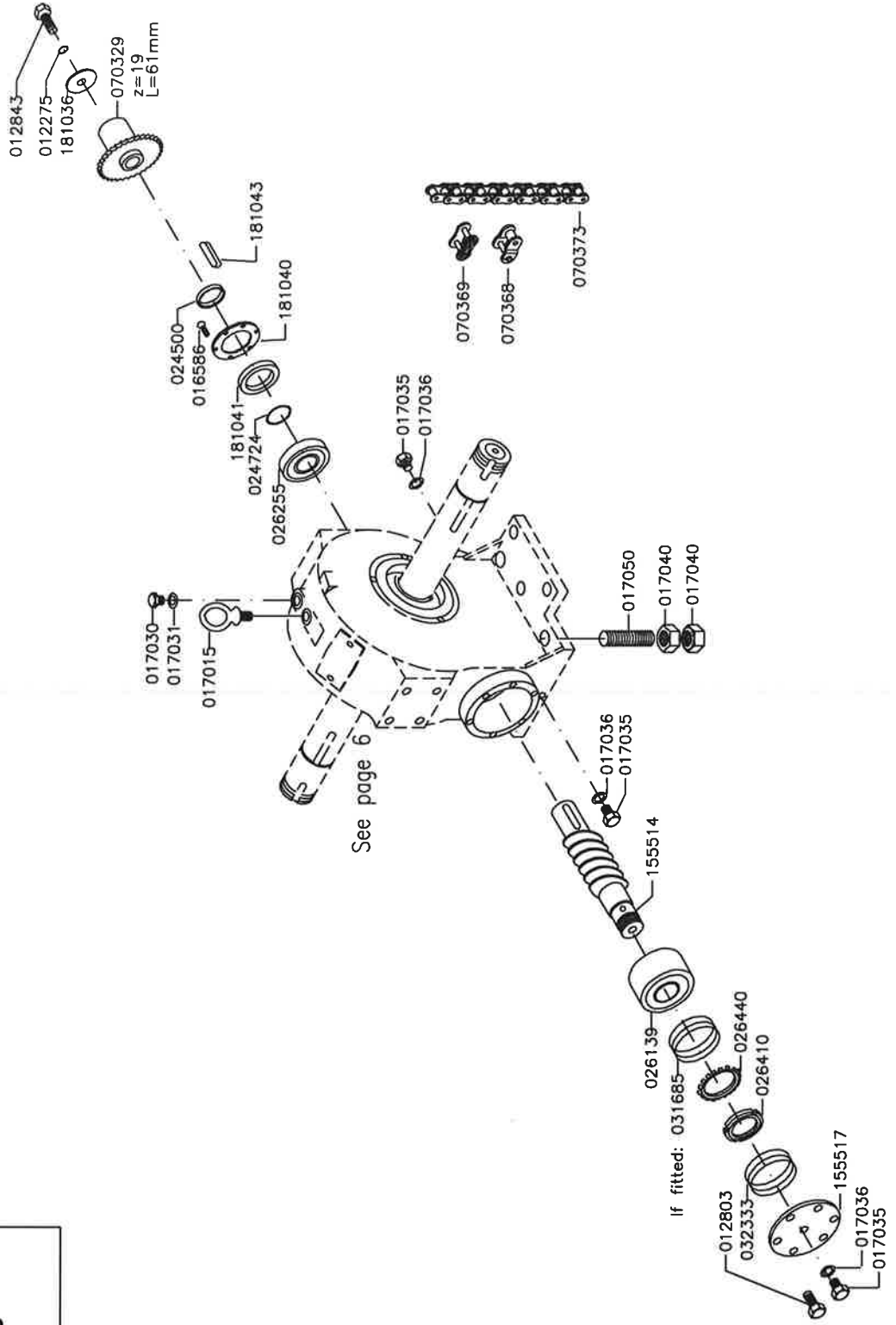
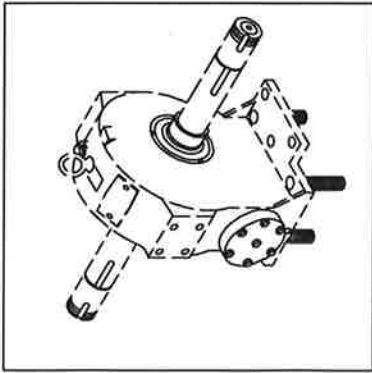
# IGLAND 5002 Pento TL and 5002 Pento Top

## ”HEAD”



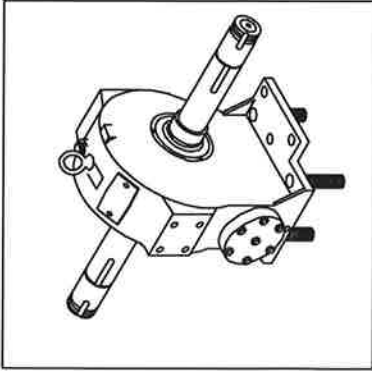
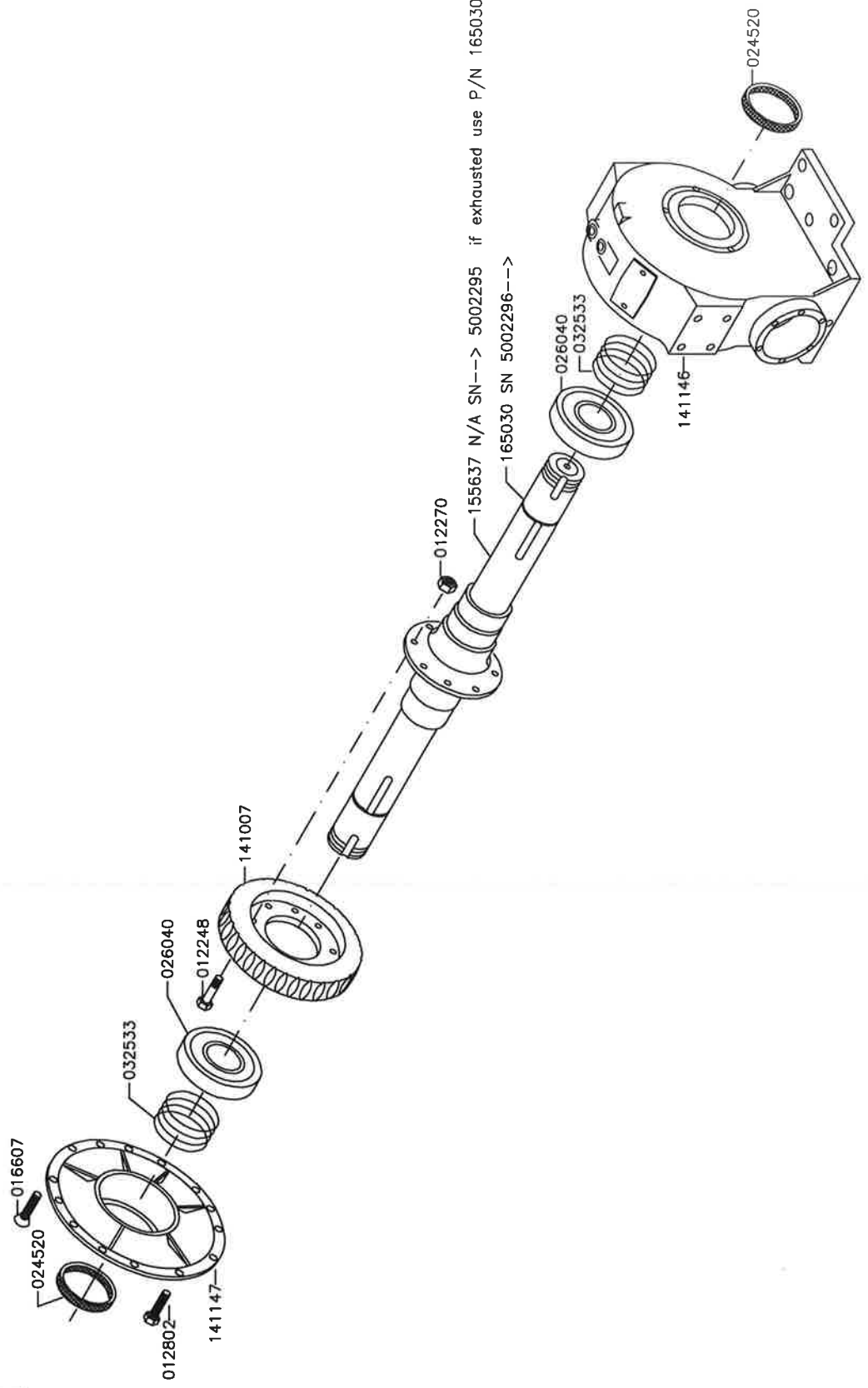
# IGLAND 5002 Pento TL and 5002 Pento Top

”HEAD”



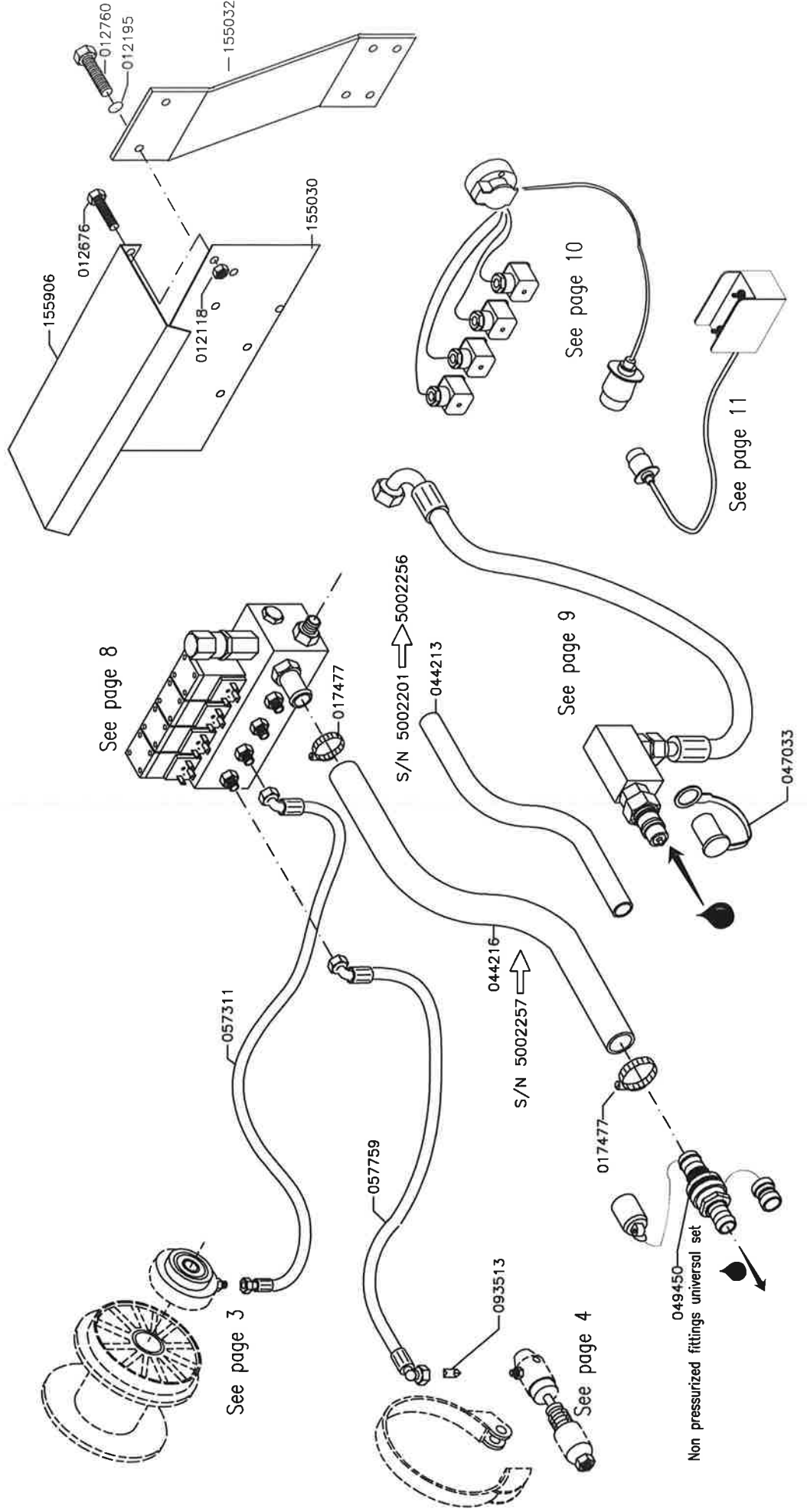
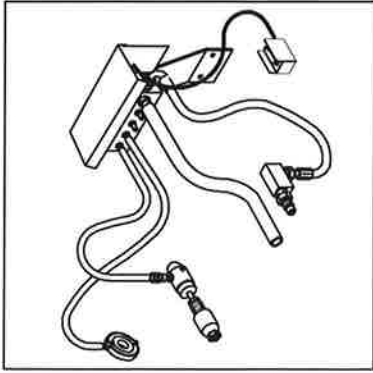
# IGLAND 5002 Pento TL and 5002 Pento Top

## ”HEAD”



# IGLAND 5002 Pento TL and 5002 Pento Top

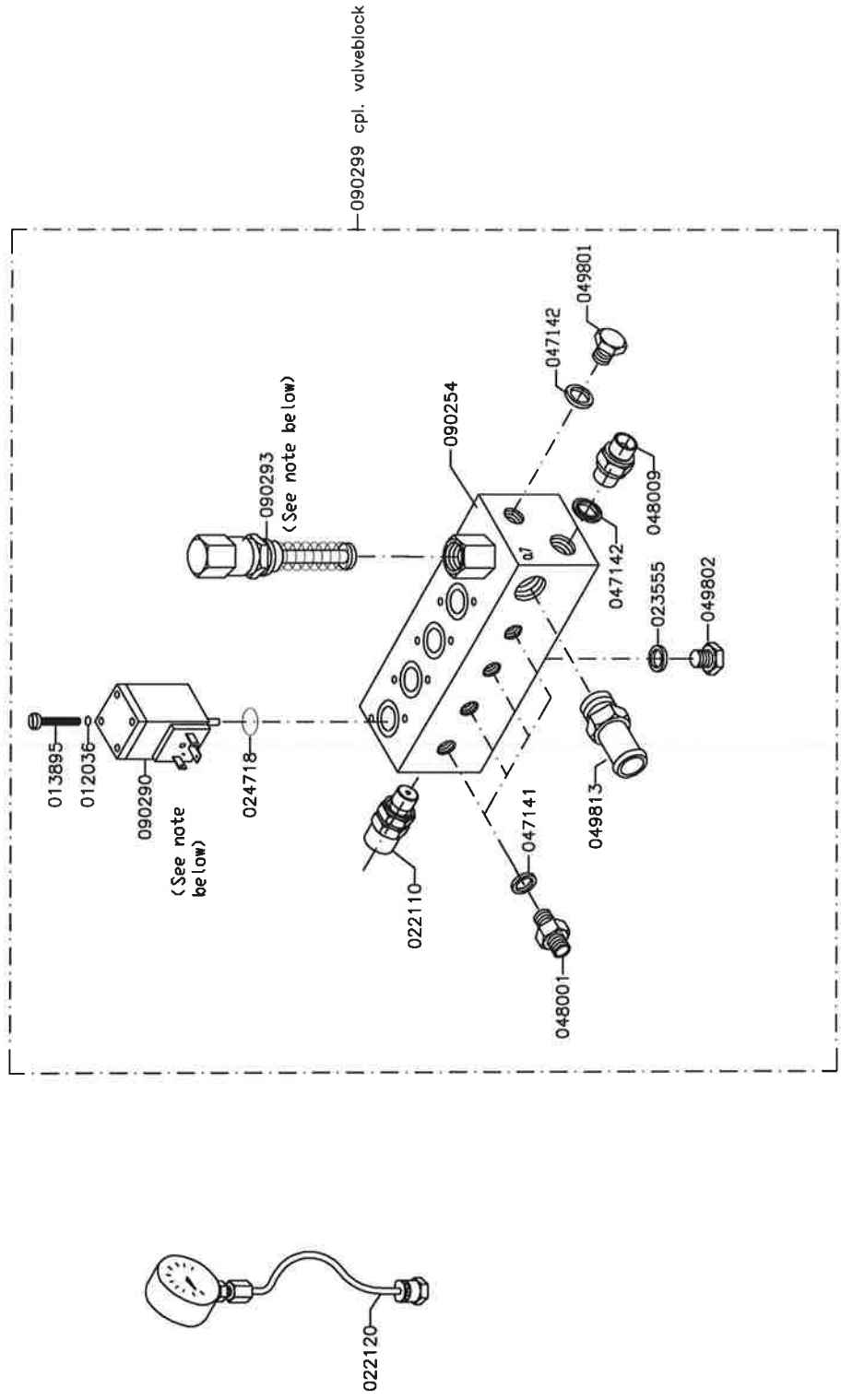
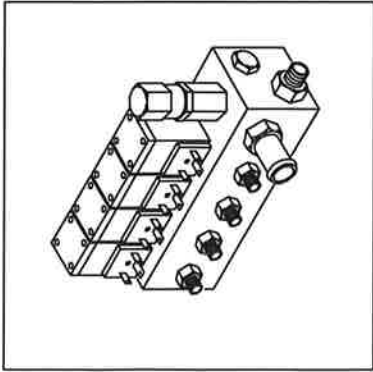
## ELECTROHYDRAULIC LOW PRESSURE CONTROL "LH"





# IGLAND 5002 Pento TL and 5002 Pento Top

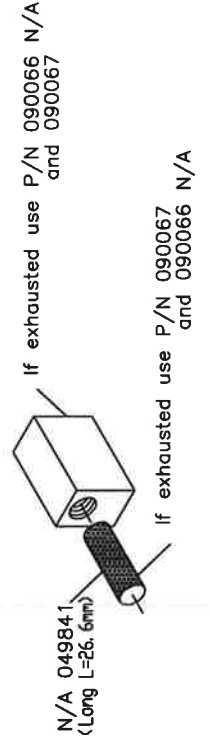
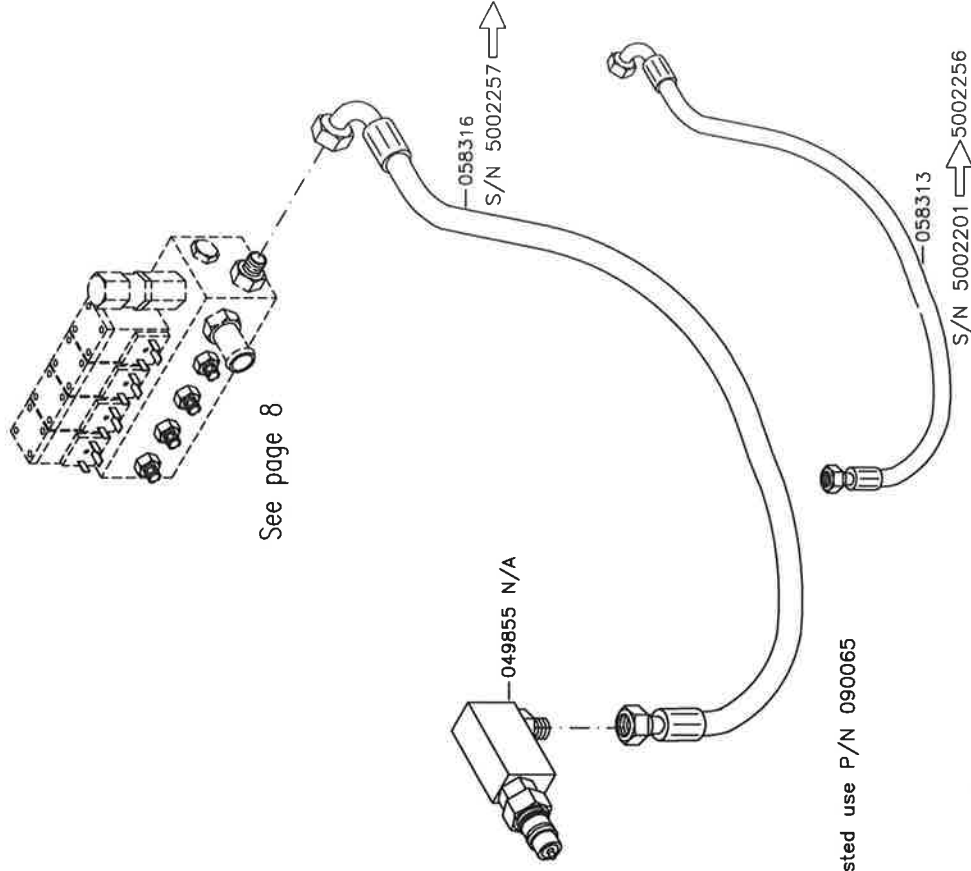
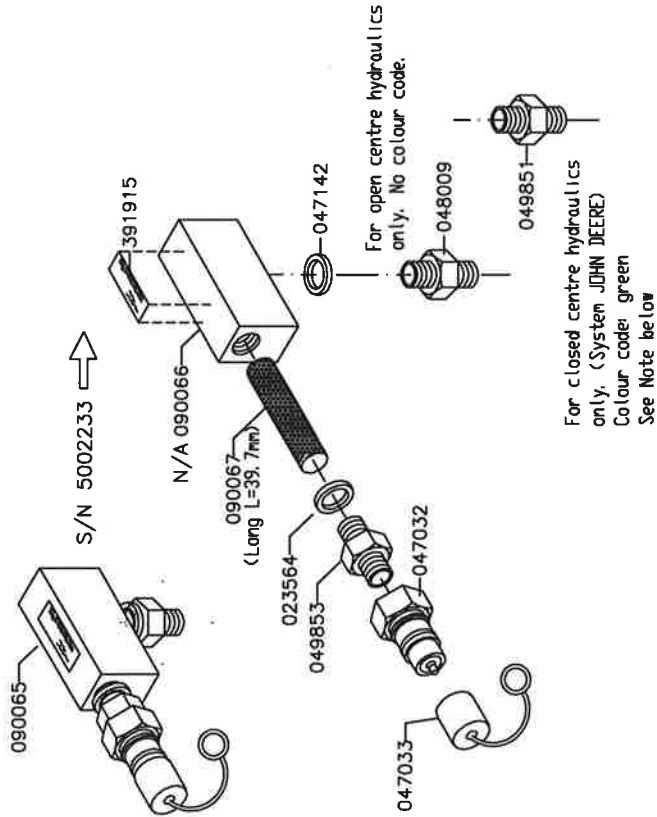
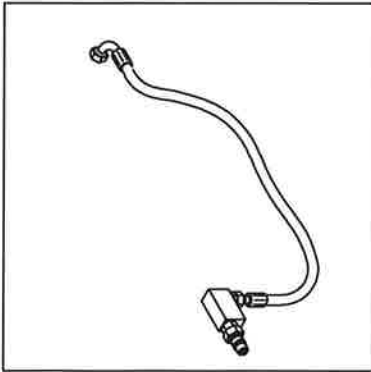
## ELECTROHYDRAULIC LOW PRESSURE CONTROL "LH"



NOTE: Requires special skill on re-installation. If available, see Service Manual.

# IGLAND 5002 Pento TL and 5002 Pento Top

## ELECTROHYDRAULIC LOW PRESSURE CONTROL "LH"

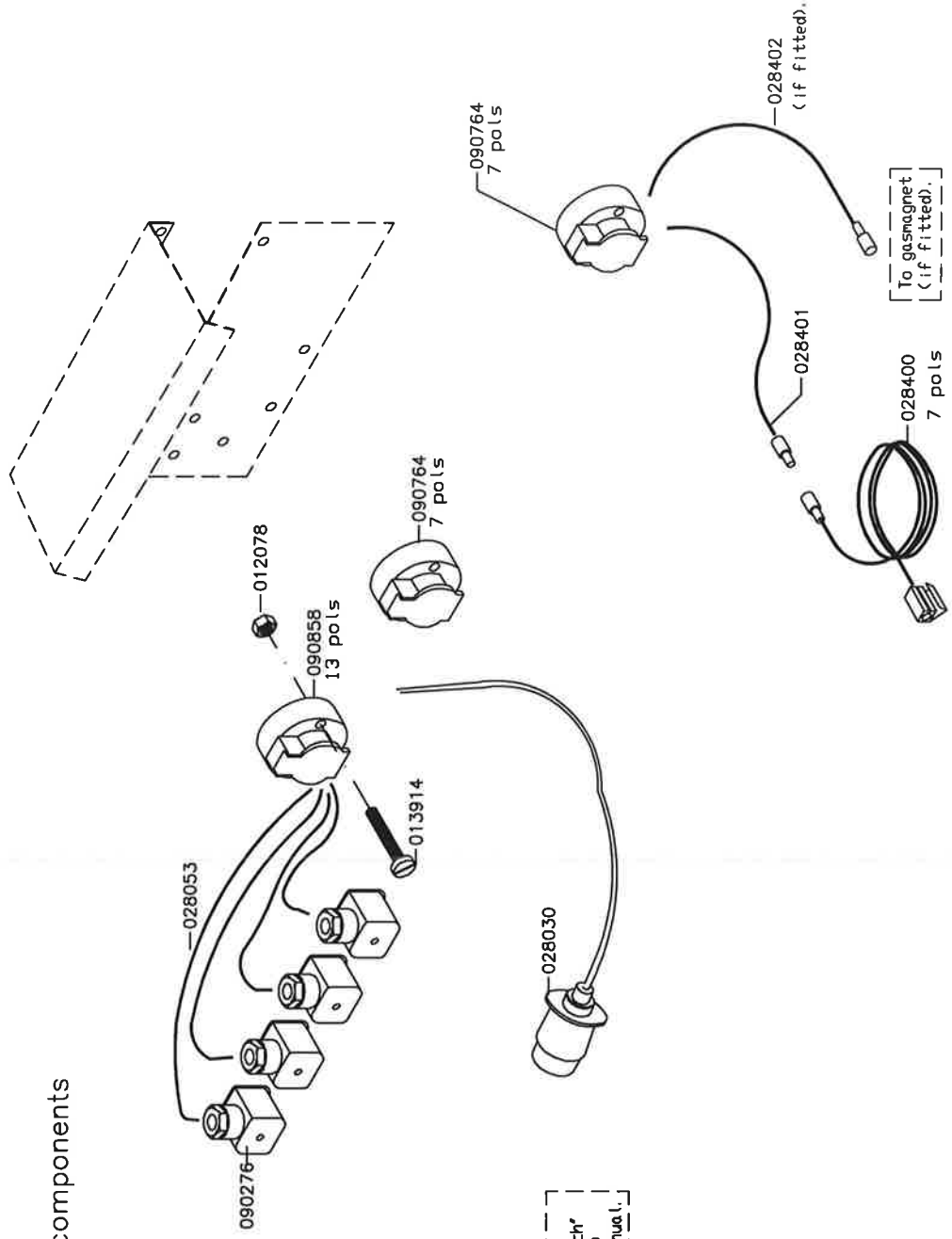
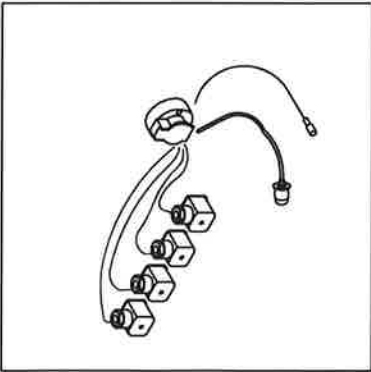


See page 8

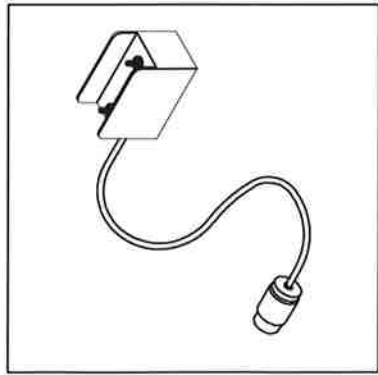
# IGLAND 5002 Pento TL and 5002 Pento Top

## ELECTROHYDRAULIC CONTROL

Electrical components

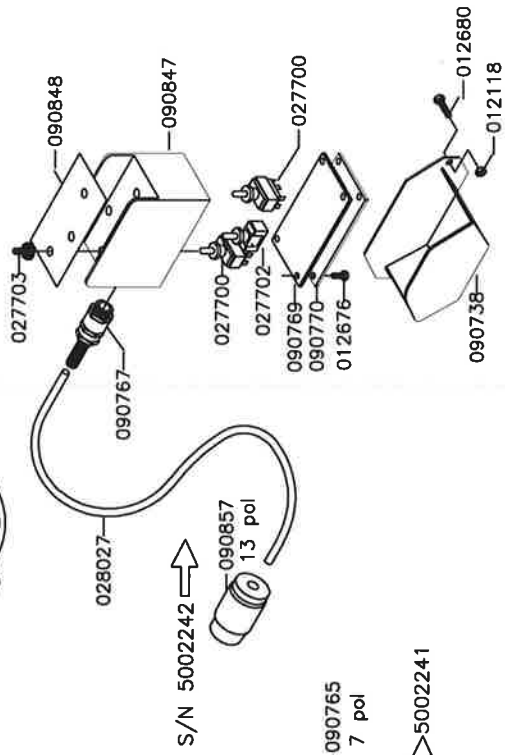
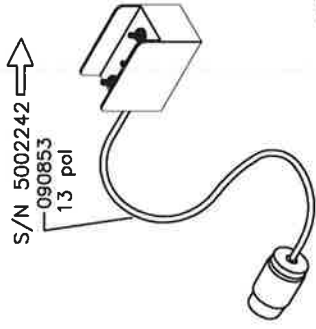
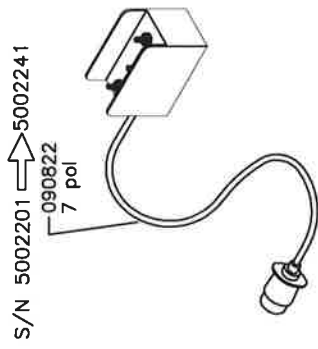


+12 V from  
"Ignition switch"  
(Use a 8A fuse)  
See service manual.



# IGLAND 5002 Pento TL and 5002 Pento Top ELECTROHYDRAULIC CONTROL

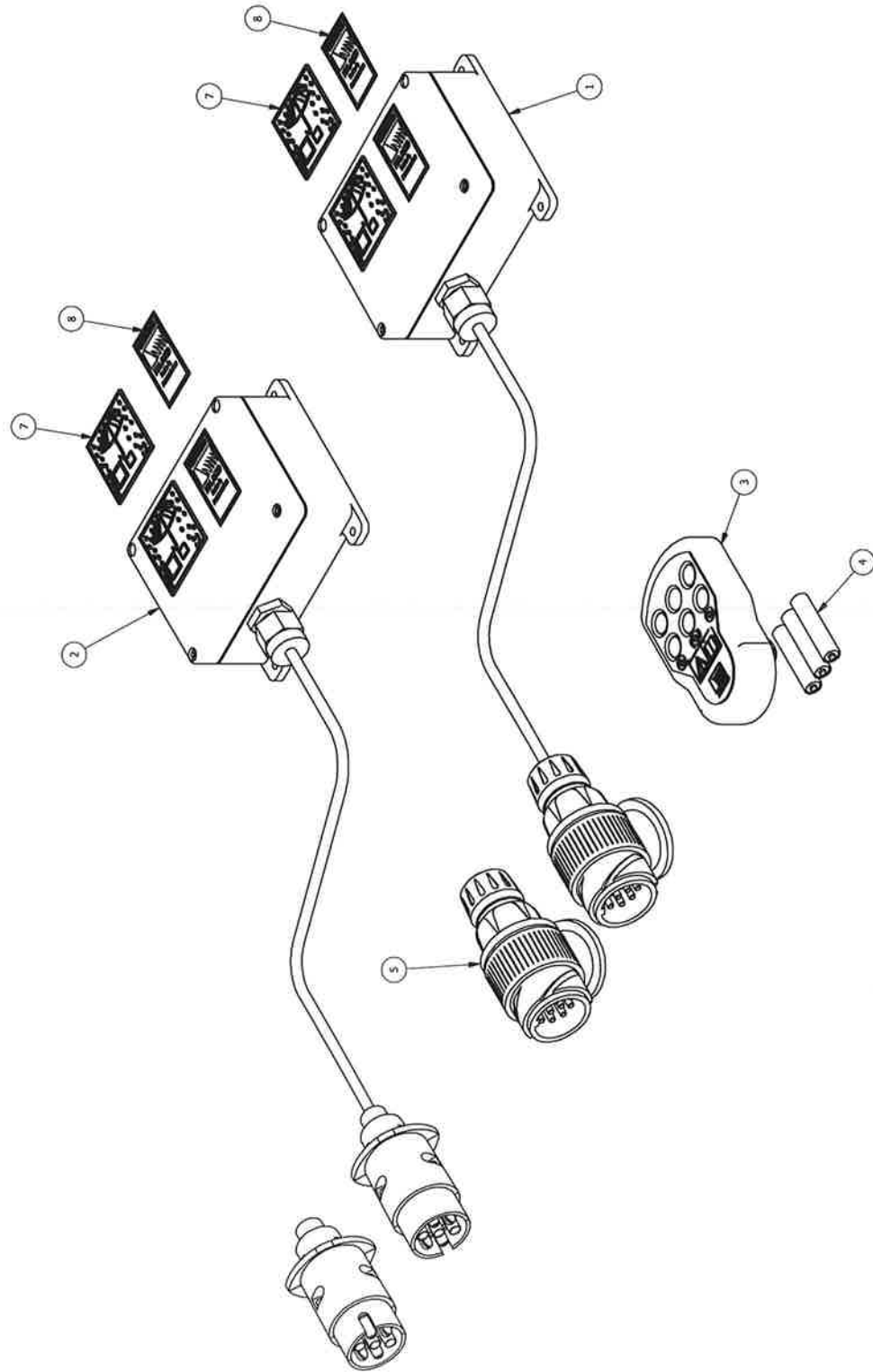
Electrical components



# IGLAND 5002 PENTO TL Option Radio remote control 2.4 GHz

RESERVEDELSLISTE – SPARE PARTS LIST

Pos.	Qty	Item No./ Varenummer	Beskrivelse	Description
1	1	095570	Mottaker 6 kanal, 2.4 GHz, 13 pol kontakt	Receiver 6 channel, 2.4 GHz, 13 pole plug
2	1	095573	Mottaker 6 kanal, 2.4 GHz, 7 pol kontakt	Receiver 6 channel, 2.4 GHz, 7 pole plug
3	1	095624	Radiosender 6 kanal 2,4 GHz	Radio transmitter 6 channel 2,4 GHz
4	3	095370	Batteri 1,5V AAA	Batteri 1.5V AAA
5	1	090857	Tilhengerstøpse, 13 pol	Trailer plug, 13 pol
6	1	090765	Tilhengerstøpse, 7 pol	Trailer plug, 7 pol
7	2	391426	Klebermerke	Stickers
8	2	391427	Klebermerke	Stickers

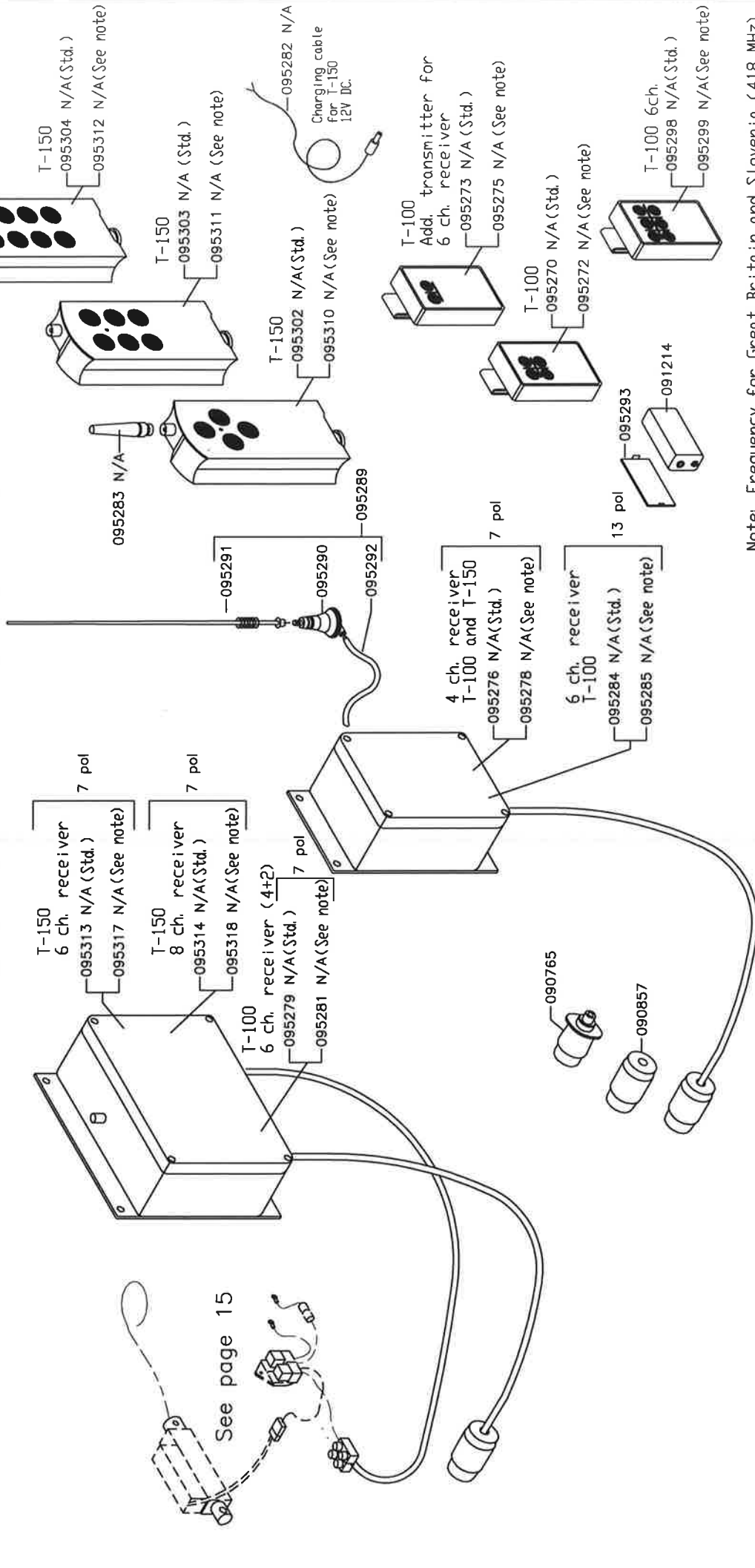
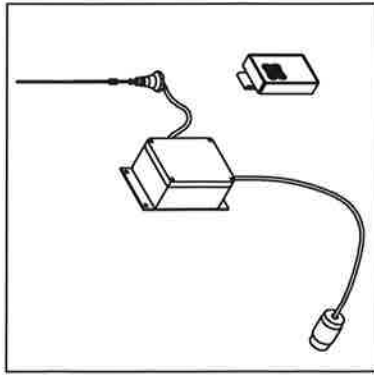


# IGLAND 5002 Pento TL and 5002 Pento Top

## TELERADIO

- RADIO REMOTE CONTROL KIT, T-100, 4 ch.: 091160 N/A
- RADIO REMOTE CONTROL KIT, T-150, 4 ch.: 091180 N/A
- RADIO REMOTE CONTROL KIT, T-150, 6 ch.: 091181 N/A
- RADIO REMOTE CONTROL KIT, T-150, 8 ch.: 091182 N/A

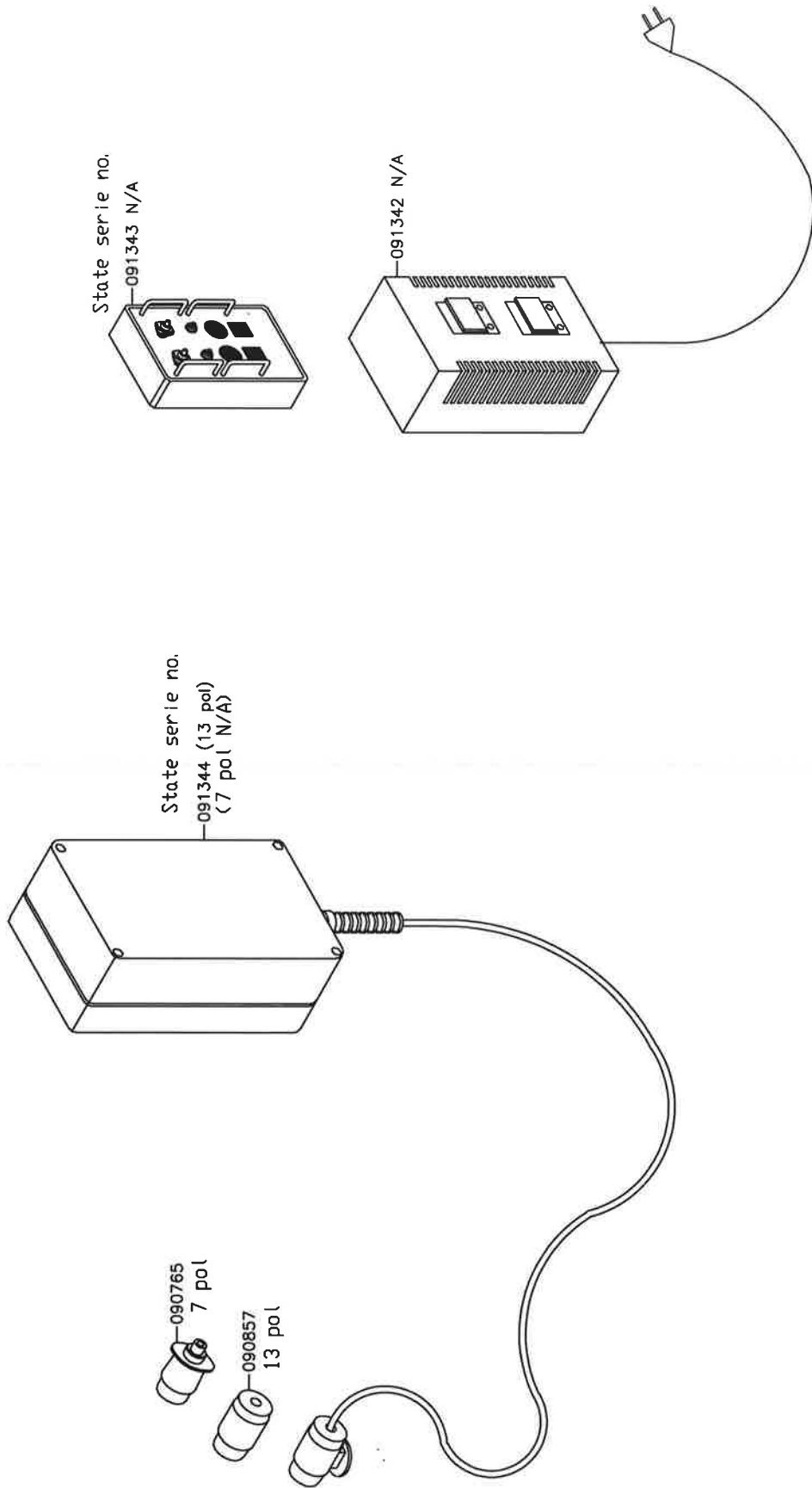
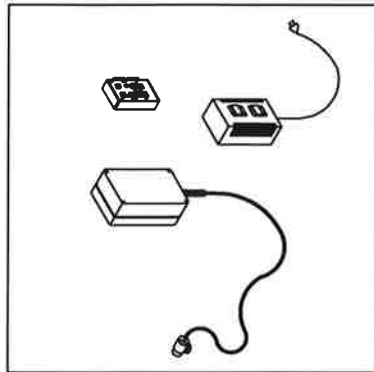
If fitted. Add. price for extra 2 ch. transmitter/6 ch. receiver (only for 091160) - 091161 N/A  
 Add. price for frequency for Great Britain and Slovenia (418 MHz) - 091163 N/A



See page 15

# IGLAND 5002 Pento TL and 5002 Pento Top

HM RADIO REMOTE CONTROL F202, 7 pol:	091195 N/A
HM RADIO REMOTE CONTROL F202, 13 pol:	091322 N/A
HM RADIO REMOTE CONTROL F202, 13 pol m/RPM actuator 091443 :	091326 N/A
HM RADIO REMOTE CONTROL F202, 13 pol m/RPM actuator 091441 :	091325 N/A
HM RADIO REMOTE CONTROL F202, 7 pol m/RPM actuator 091141 :	091192 N/A

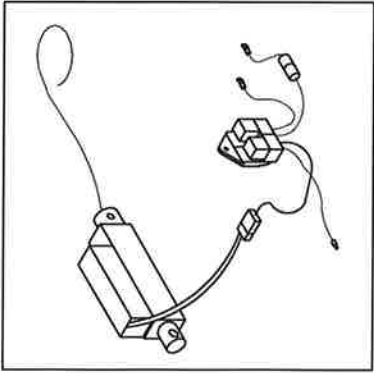


# IGLAND 5002 Pento TL and 5002 Pento Top

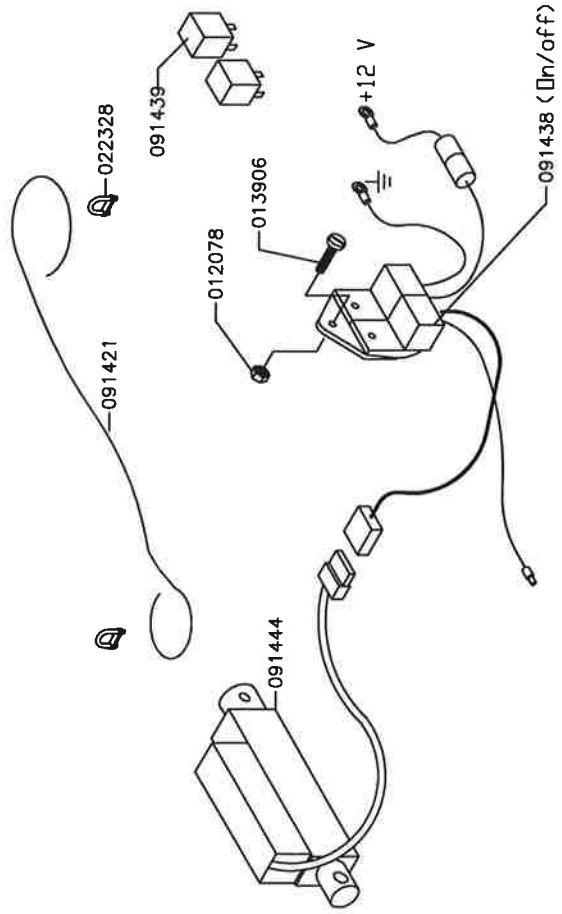
RPM ACTUATOR, compl.: 091442  
On/off function

RPM ACTUATOR, compl.: 091443  
Stepless function.

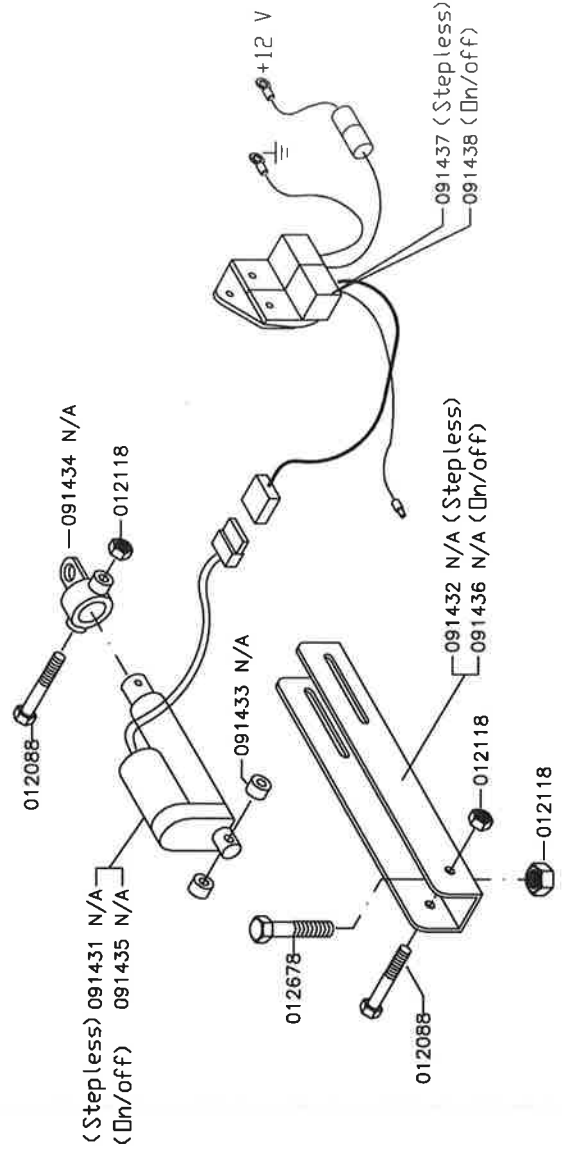
if fitted.



Later version



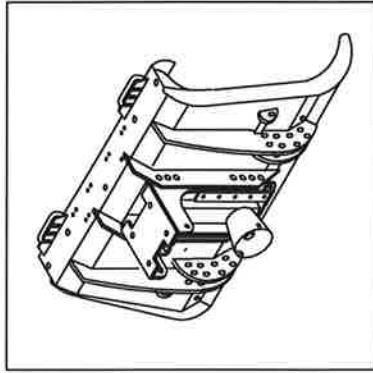
Early version





# IGLAND 5002 Pento TL

THREE POINT HITCH  
C/W LOGGING SHIELD



See page 17

See page 20

Model "TL" c/w bolt-on standard winch stool.

See page 18

See page 20

Model "TL" c/w bolt-on HMV winch stool.

See page 19

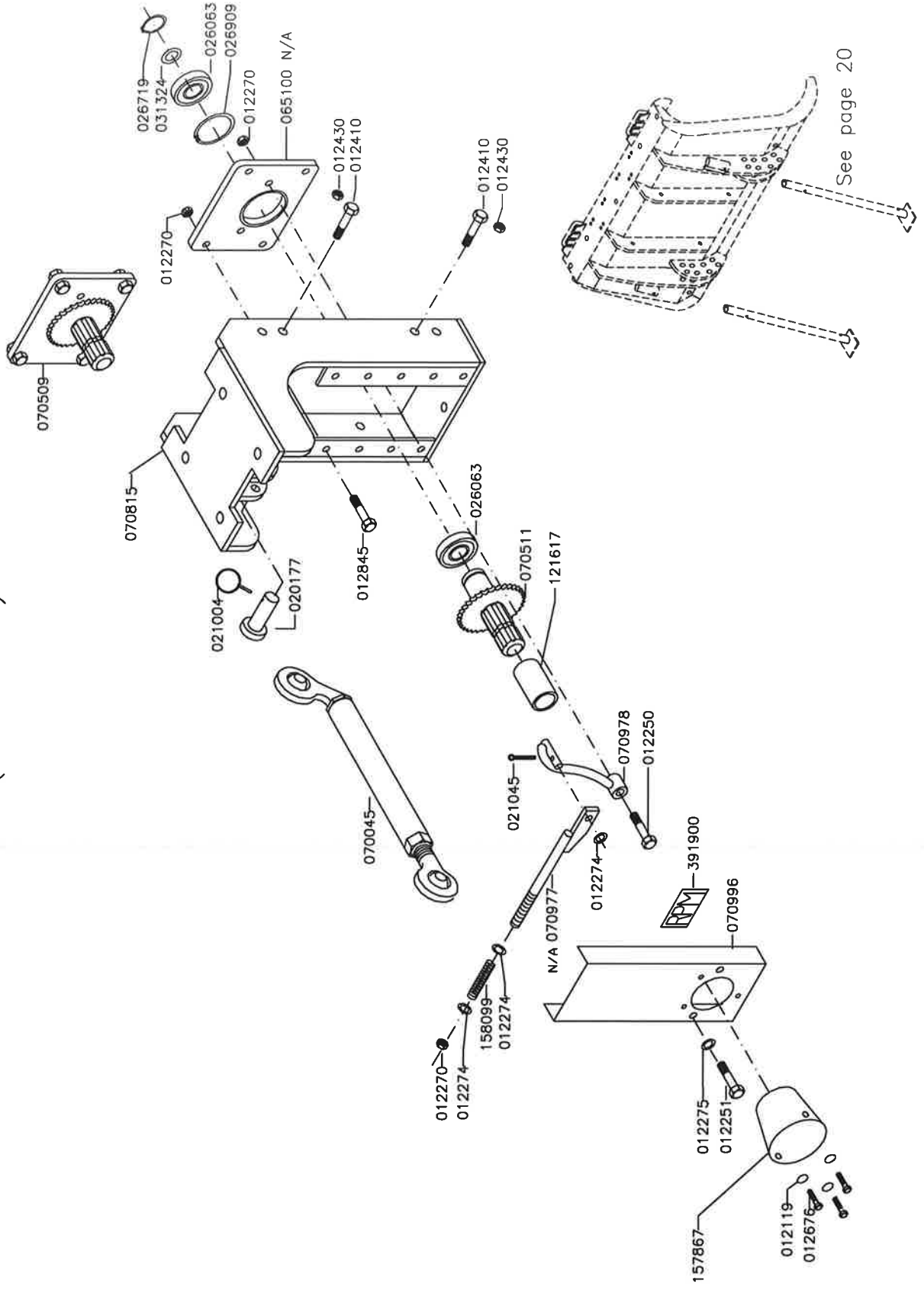
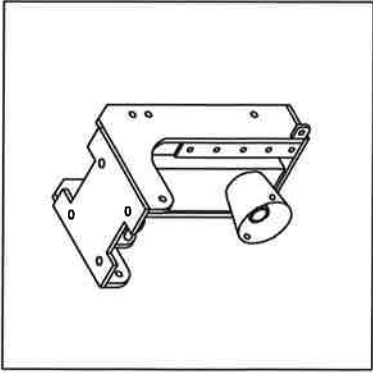
See page 20

Model "TL" c/w bolt-on Triangel winch stool.

# IGLAND 5002 Pento TL

## THREE POINT HITCH

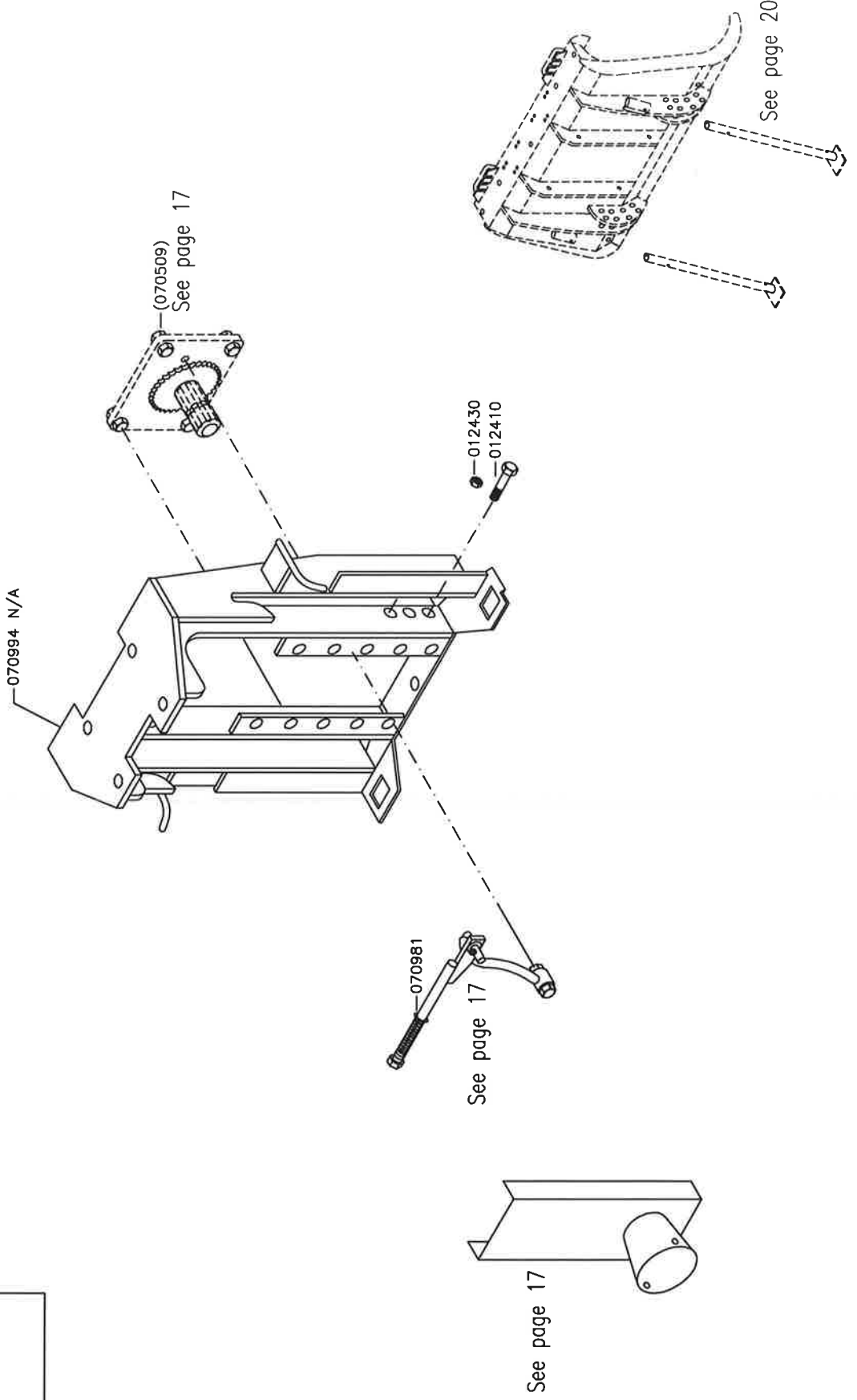
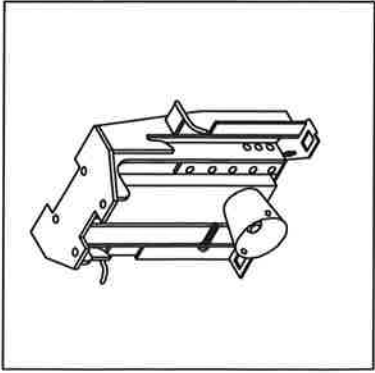
Model TL winch stool (If fitted)



# IGLAND 5002 Pento TL

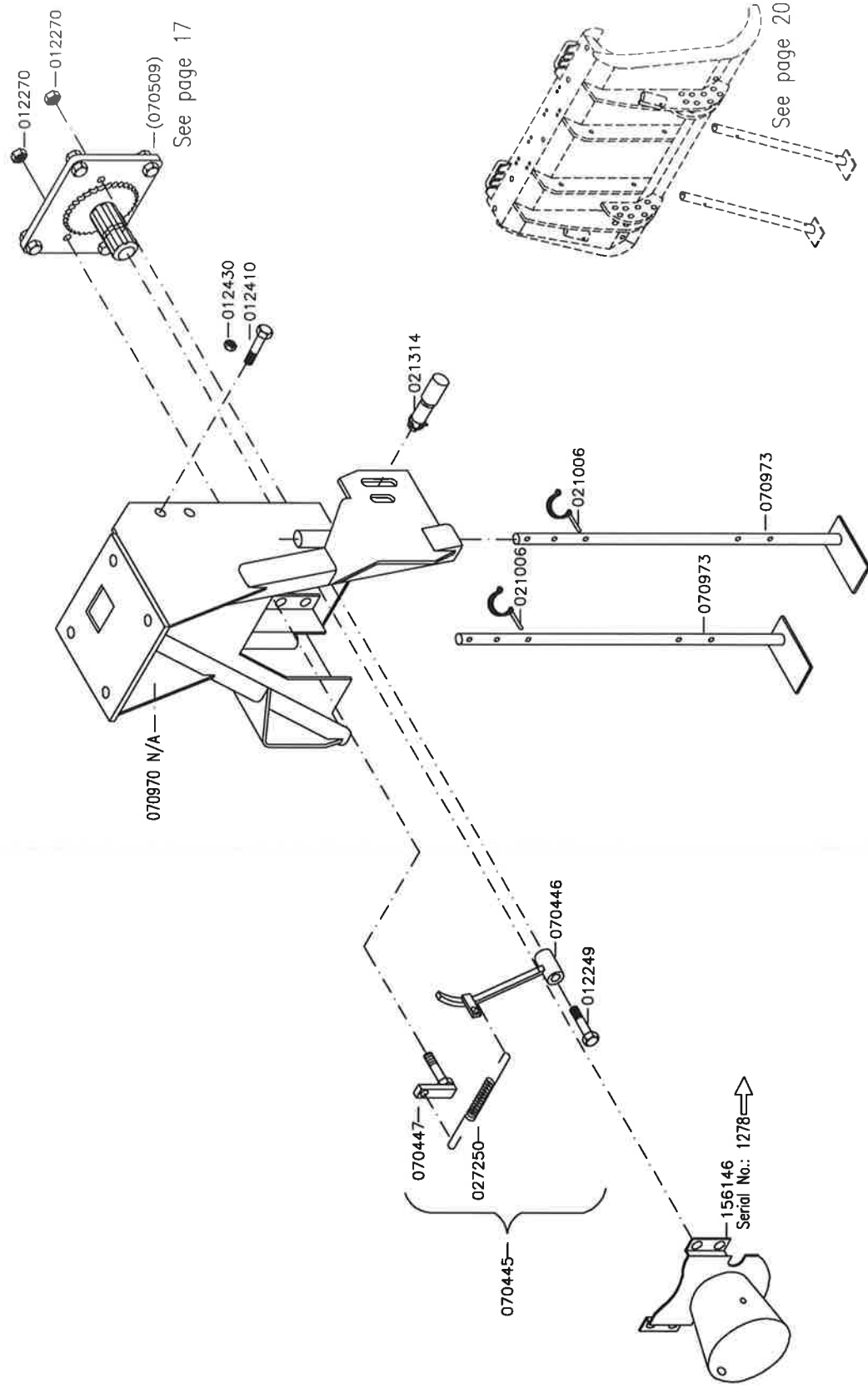
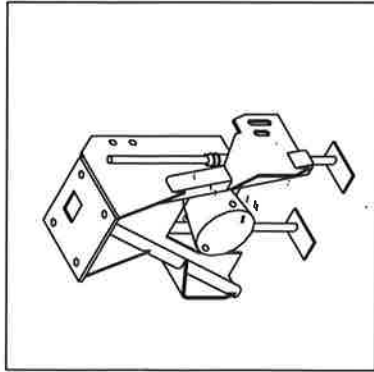
## THREE POINT HITCH

Model TL, HMV winch stool (If fitted)



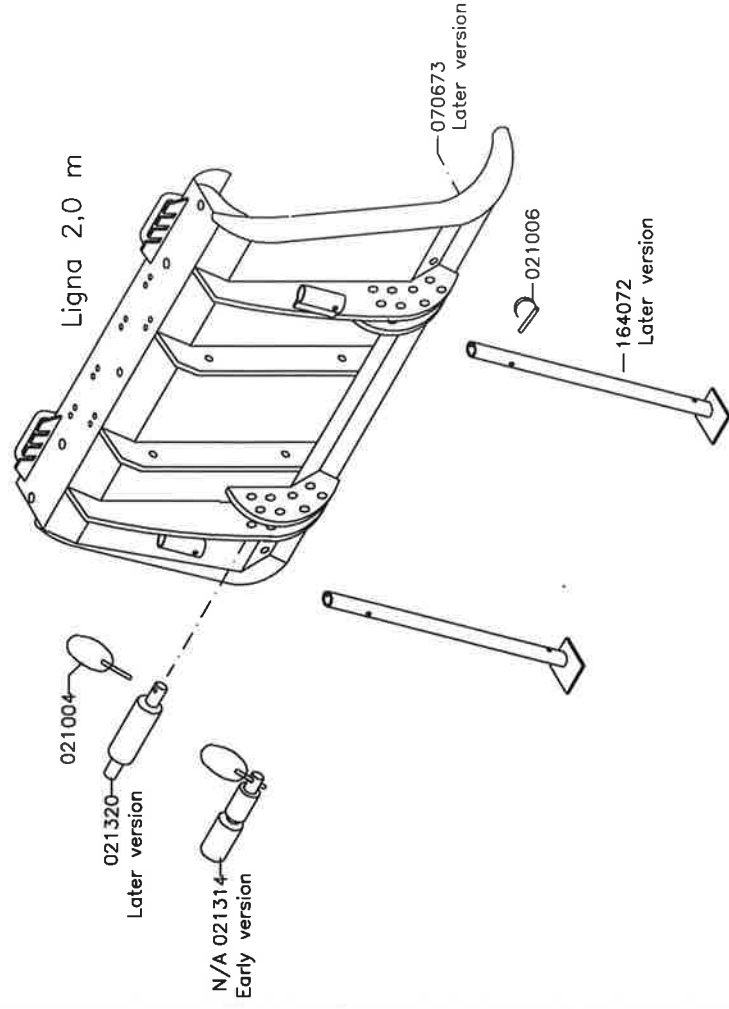
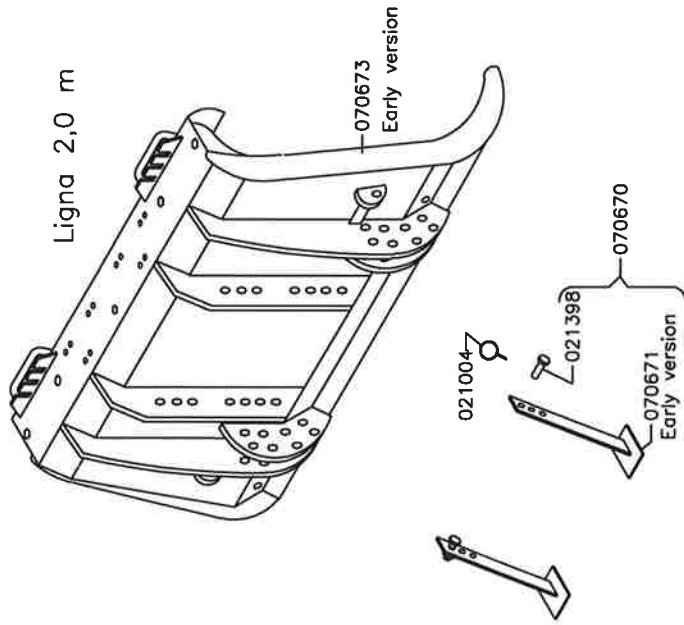
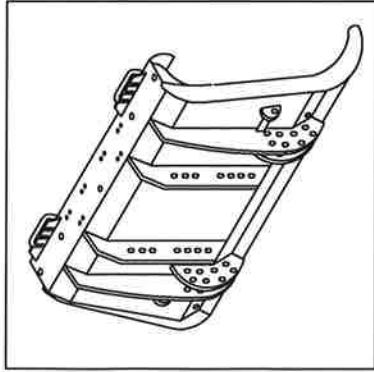
# IGLAND 5002 Pento TL

Triangel snap link: 070985 N/A If fitted



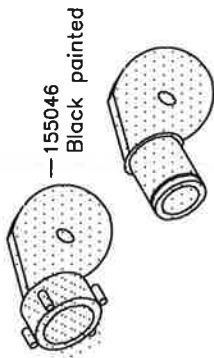
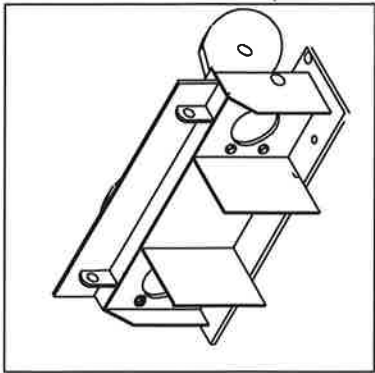
# IGLAND 5002 Pento TL

## BUTT PLATE

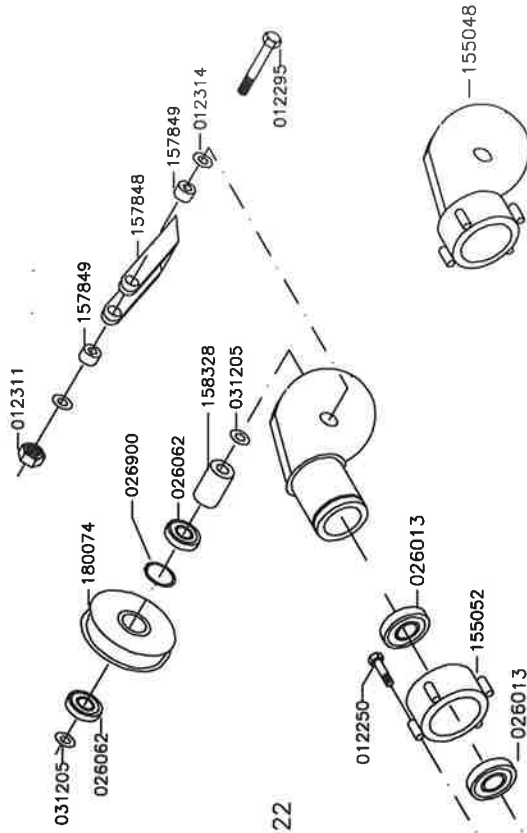


# IGLAND 5002 Pento TL

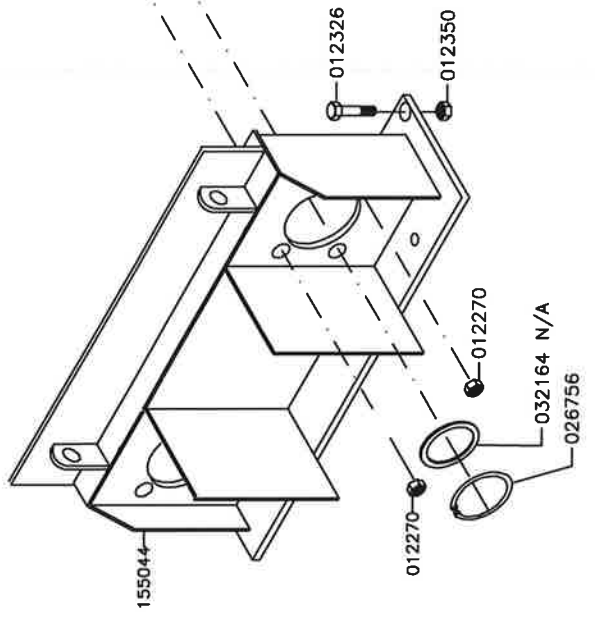
## FAIRLEADS



155050  
Black painted

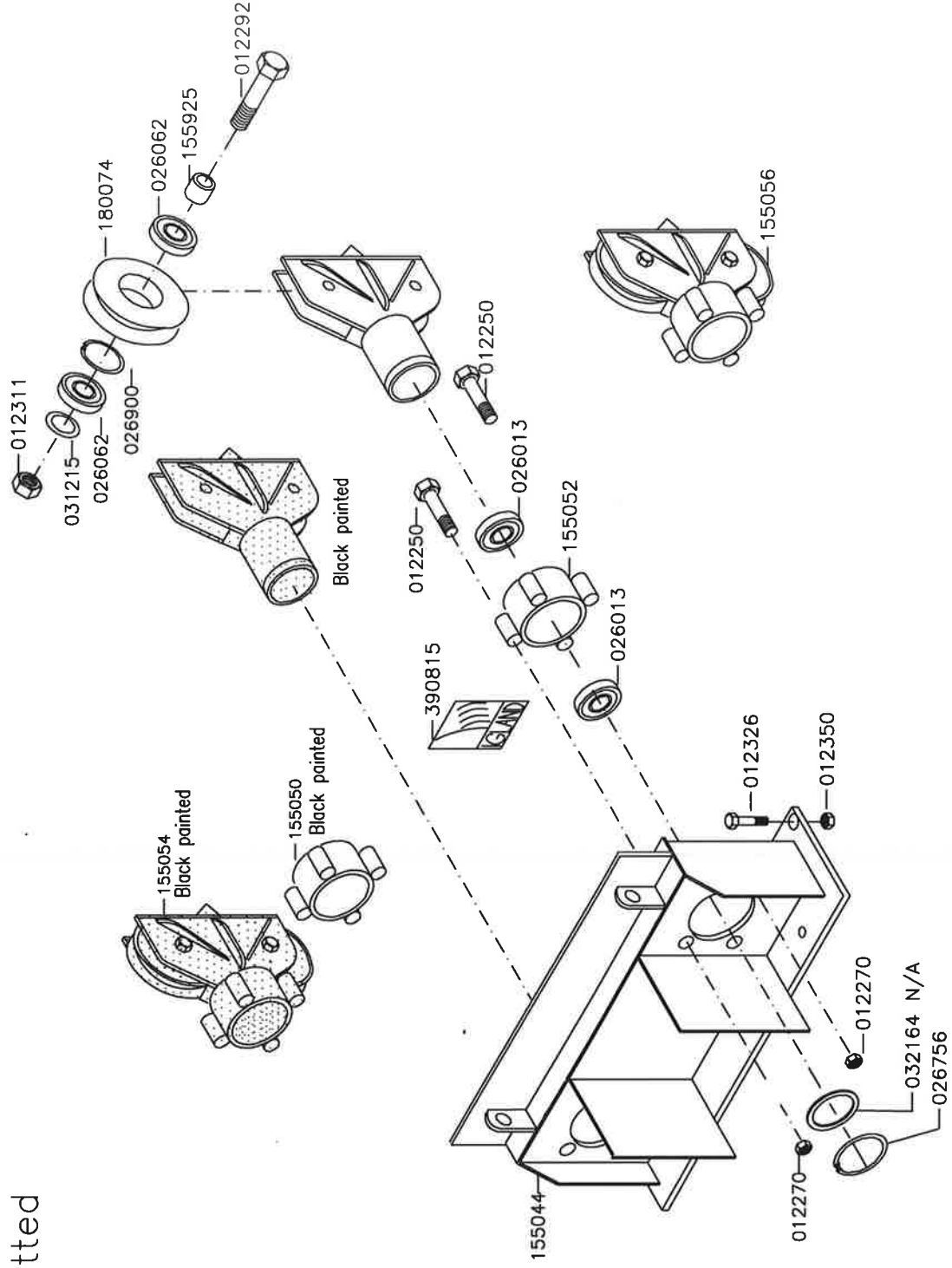
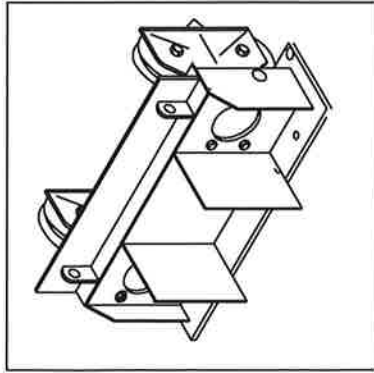


See page 22



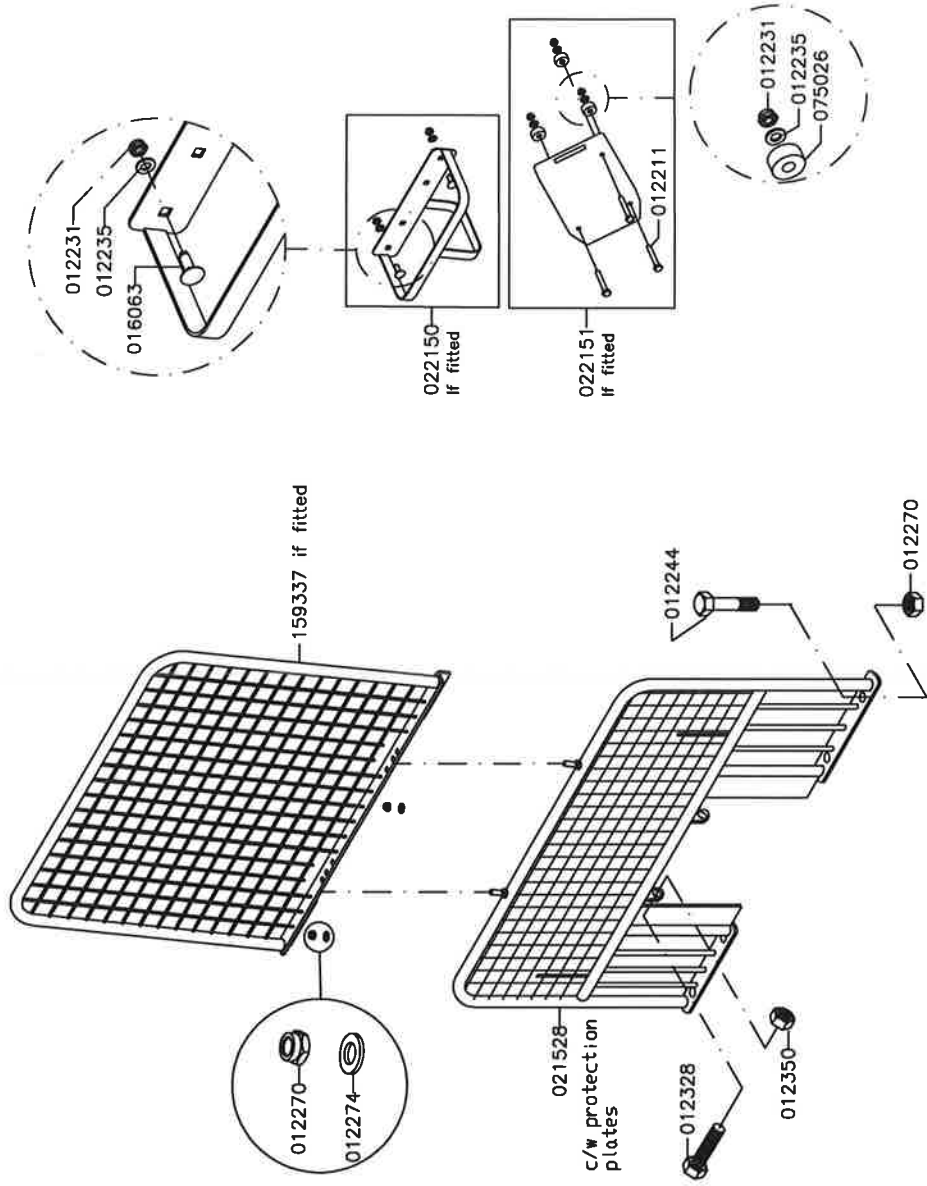
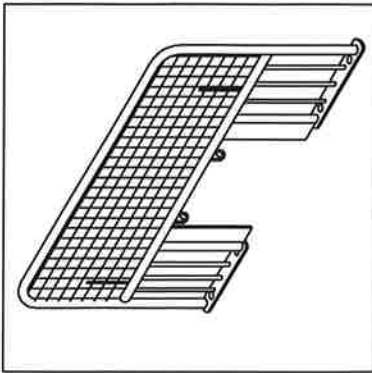
# IGLAND 5002 Pento TL

FAIRLEAD  
If fitted



# IGLAND 5002 Pento TL

## PROTECTION SCREEN

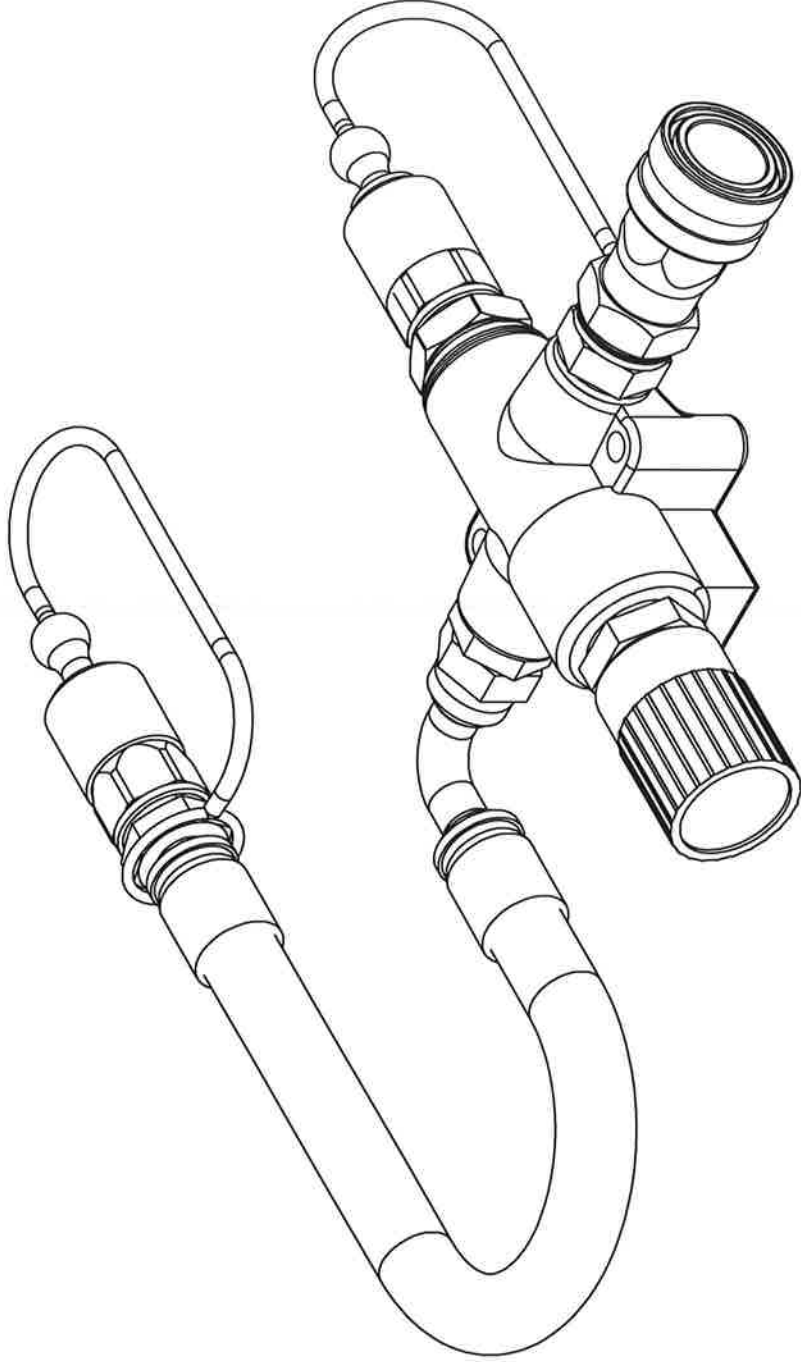
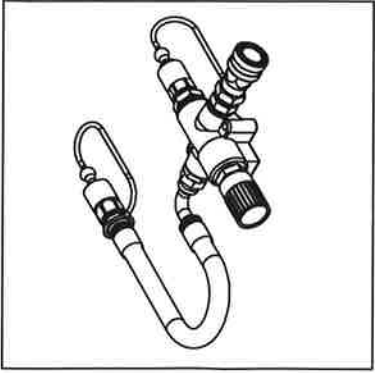




# IGLAND 5002 Pento TL and 5002 Pento Top

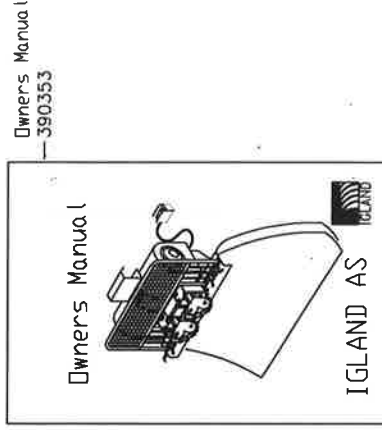
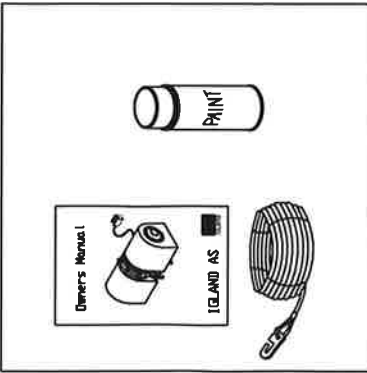
FLOW DIVIDER, compl. : 090378

If fitted



# IGLAND 5002 Pento TL and 5002 Pento Top

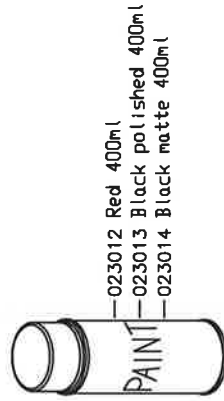
## Miscellaneous



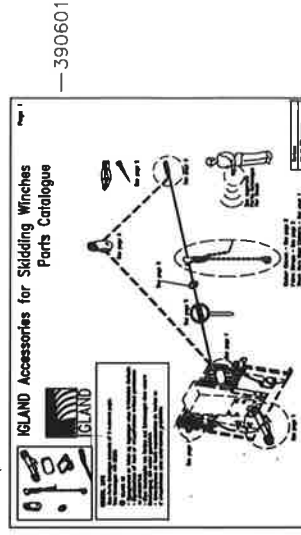
WIRE ROPE, 6x26WS+IWRC 180 kp, 11 mm



WIRE ROPE, according to ISO 4254—4



Parts Catalogue  
Accessories for Skidding Winches



Parts Catalogue

