

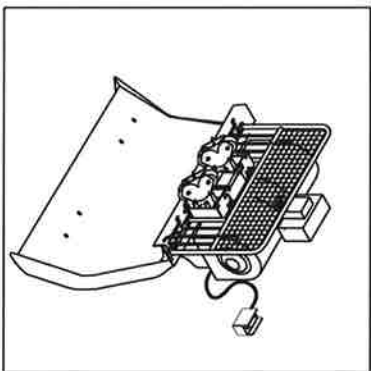


**IGLAND 6002 Pronto**  
**TL / TLP**

Parts Catalogue

# IGLAND 6002 Pronto TL, TLP and 6002 Pronto Top, Parts Catalogue

Serial No.: 6002201 ⇨



**GENERAL INFO:**

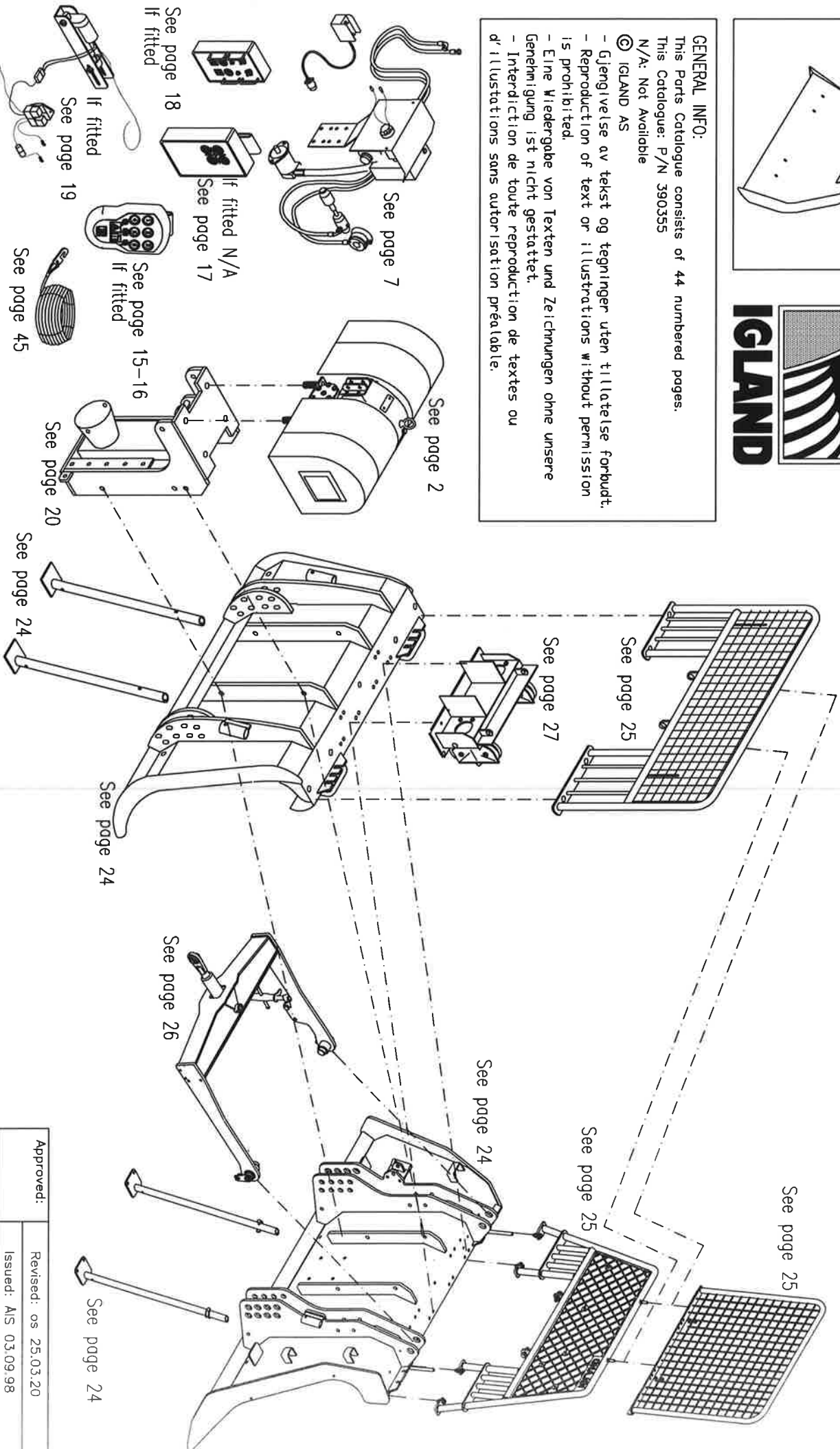
This Parts Catalogue consists of 44 numbered pages.

This Catalogue: P/N 390355

N/A: Not Available

© IGLAND AS

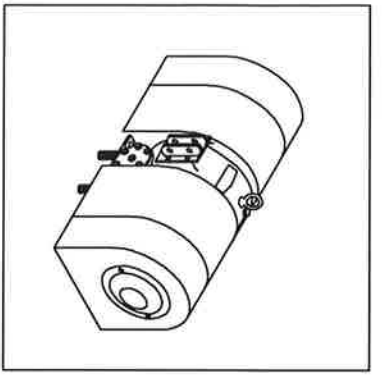
- Gjengivelse av tekst og tegninger uten tillatelse forbydt.
- Reproduction of text or illustrations without permission is prohibited.
- Eine Wiedergabe von Texten und Zeichnungen ohne unsere Genehmigung ist nicht gestattet.
- Interdiction de toute reproduction de textes ou d'illustrations sans autorisation préalable.



Approved:	Revised: os 25.03.20
	Issued: AIS 03.09.98

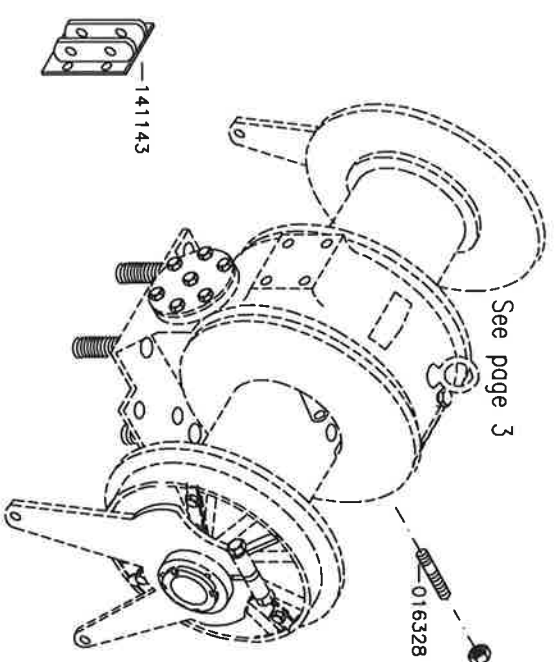
# IGLAND 6002 Pronto TL, TLP and 6002 Pronto Top

“HEAD”

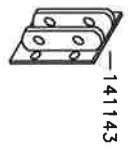


- 012245
- 012245
- 017148
- For chain wheel P/N 070335
- For chain wheel 070327 and 070325
- 017079
- 017079
- 012840
- 012840

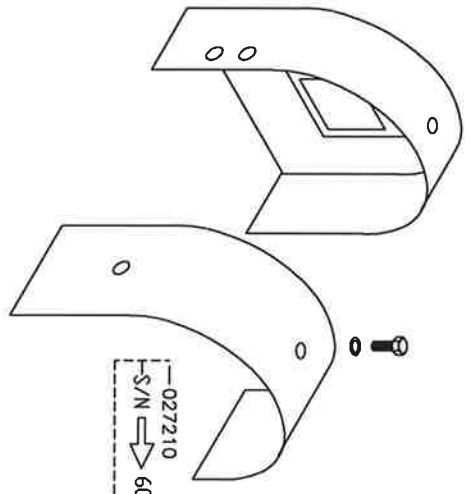
For 6002 Pronto Top only



See page 3



141143



155008

027210 S/N 6002909

012235

012798

012798

012235

012802

155009 N/A

012798

012235

155006

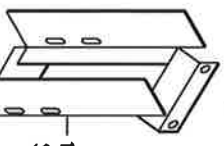
012235

012798

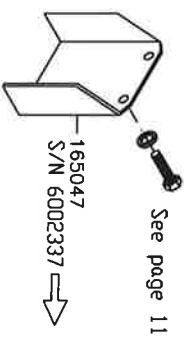
155010 S/N 6002337 6002909

012802 S/N 6002336

012234 S/N 6002336



155908 S/N 6002336



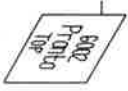
165047 S/N 6002337

See page 11

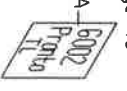


390958 N/A

390815



390959 N/A

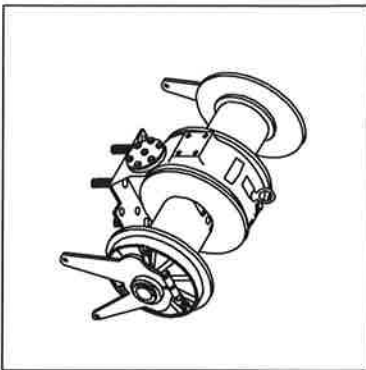


Stickers see page 43

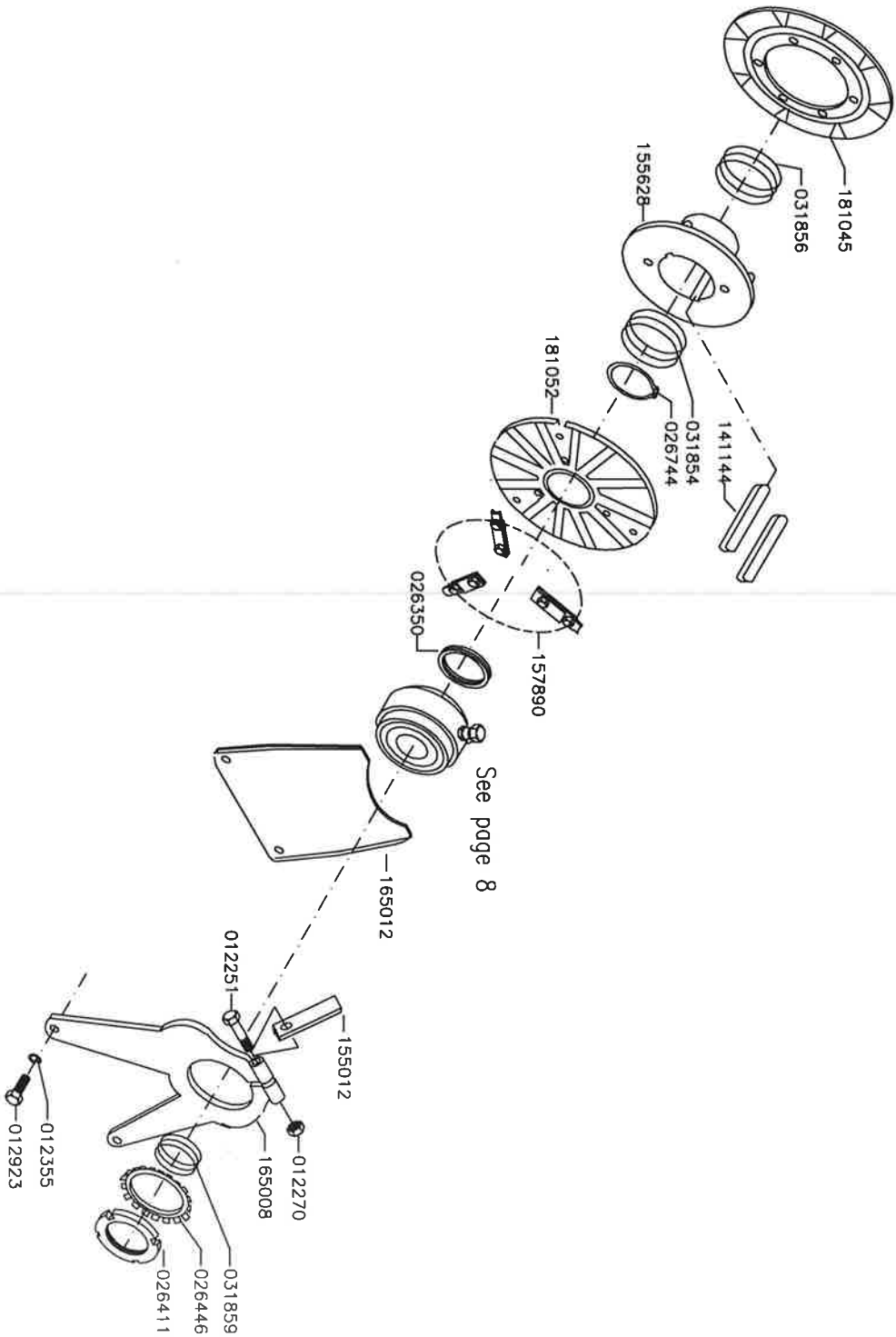
155004 N/A  
 S/N 6002336  
 If exhausted, use P/N 155005  
 155005 N/A  
 S/N 6002337 6002909  
 If exhausted, use 155007+185030

155007 S/N 6002910

185030 S/N 6002910

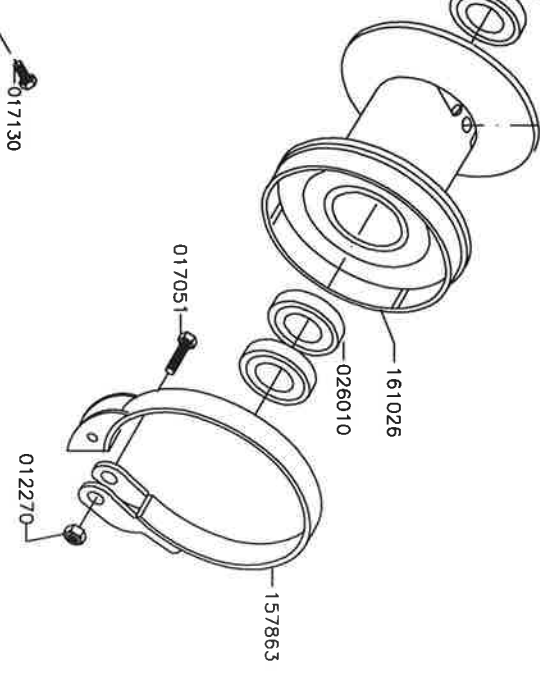
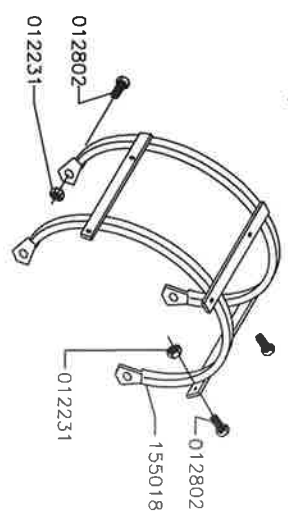
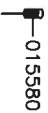
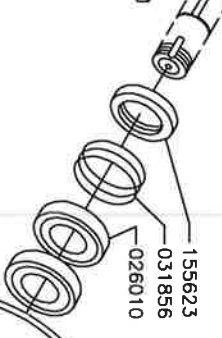
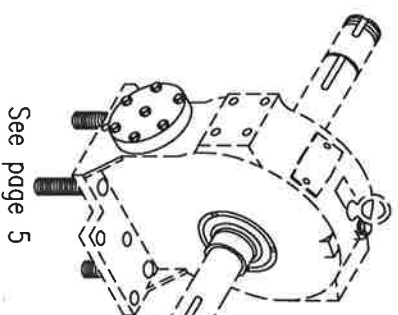
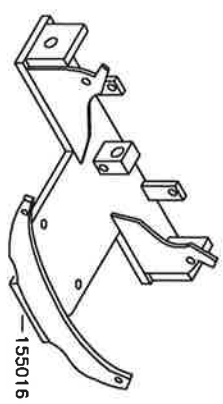
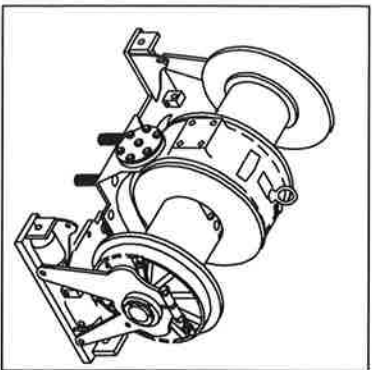


# IGLAND 6002 TL, TLP and 6002 Pronto Top "HEAD"

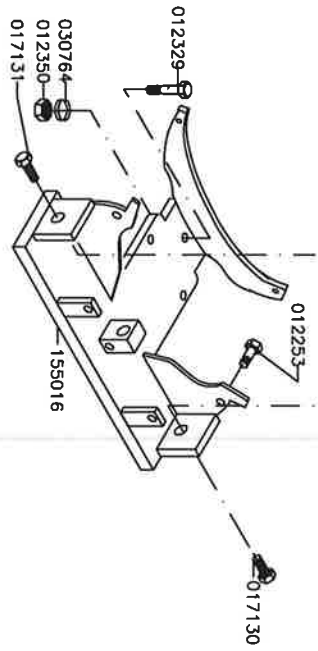


# IGLAND 6002 Pronto TL, TLP and 6002 Pronto Top

## “HEAD”

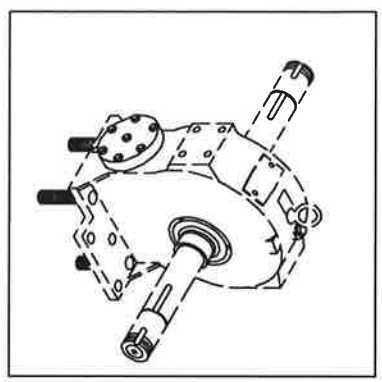


See page 8

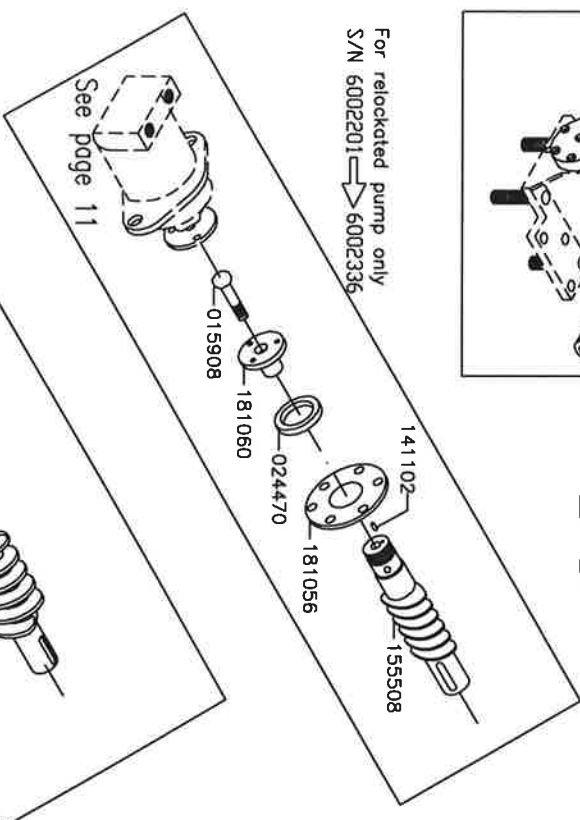


# IGLAND 6002 Pronto TL, TLP and 6002 Pronto Top

“HEAD”

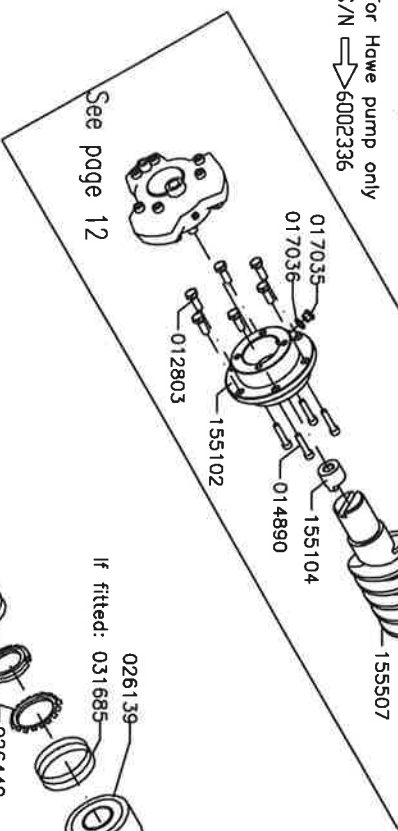


For relocated pump only  
S/N 6002201 → 6002336

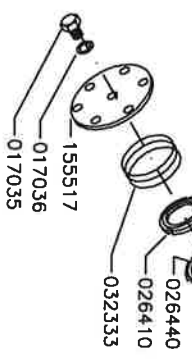


See page 11

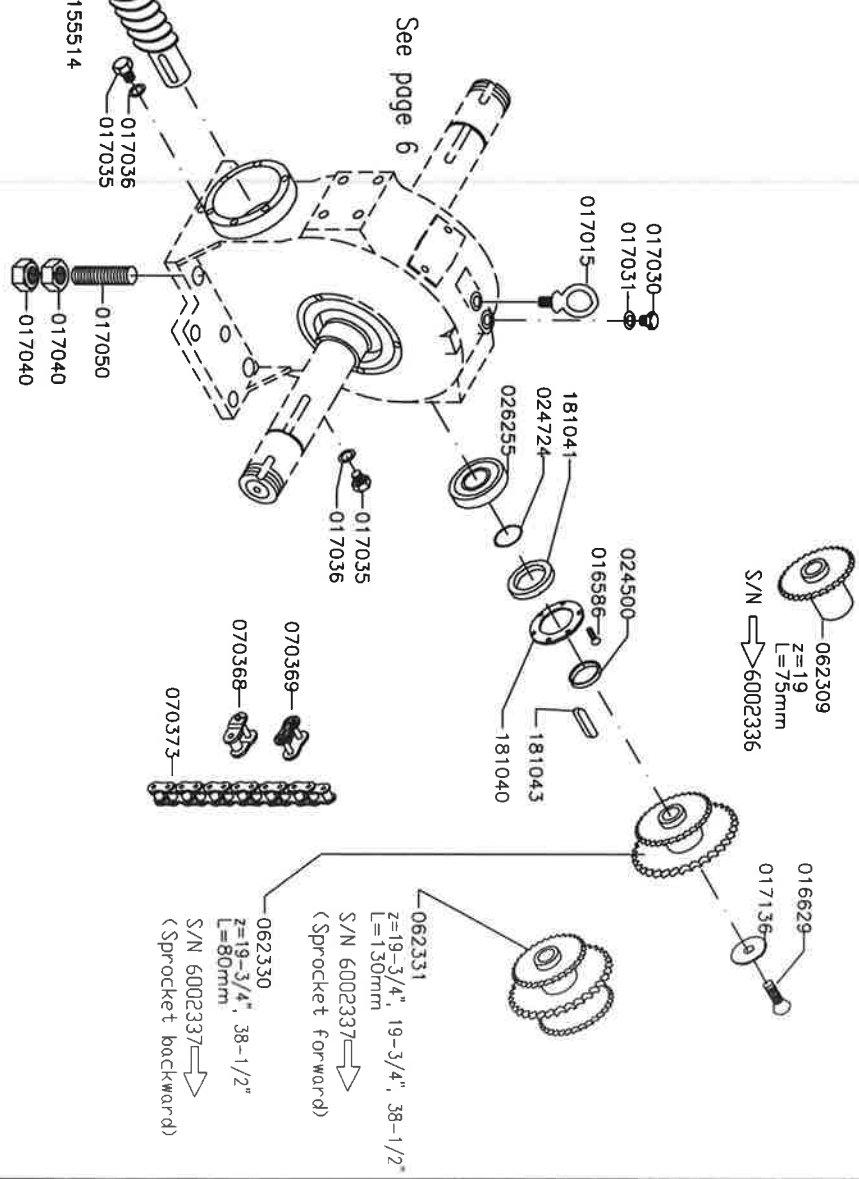
For Howe pump only  
S/N → 6002336



See page 12



If fitted: 031685



See page 6

See page 12

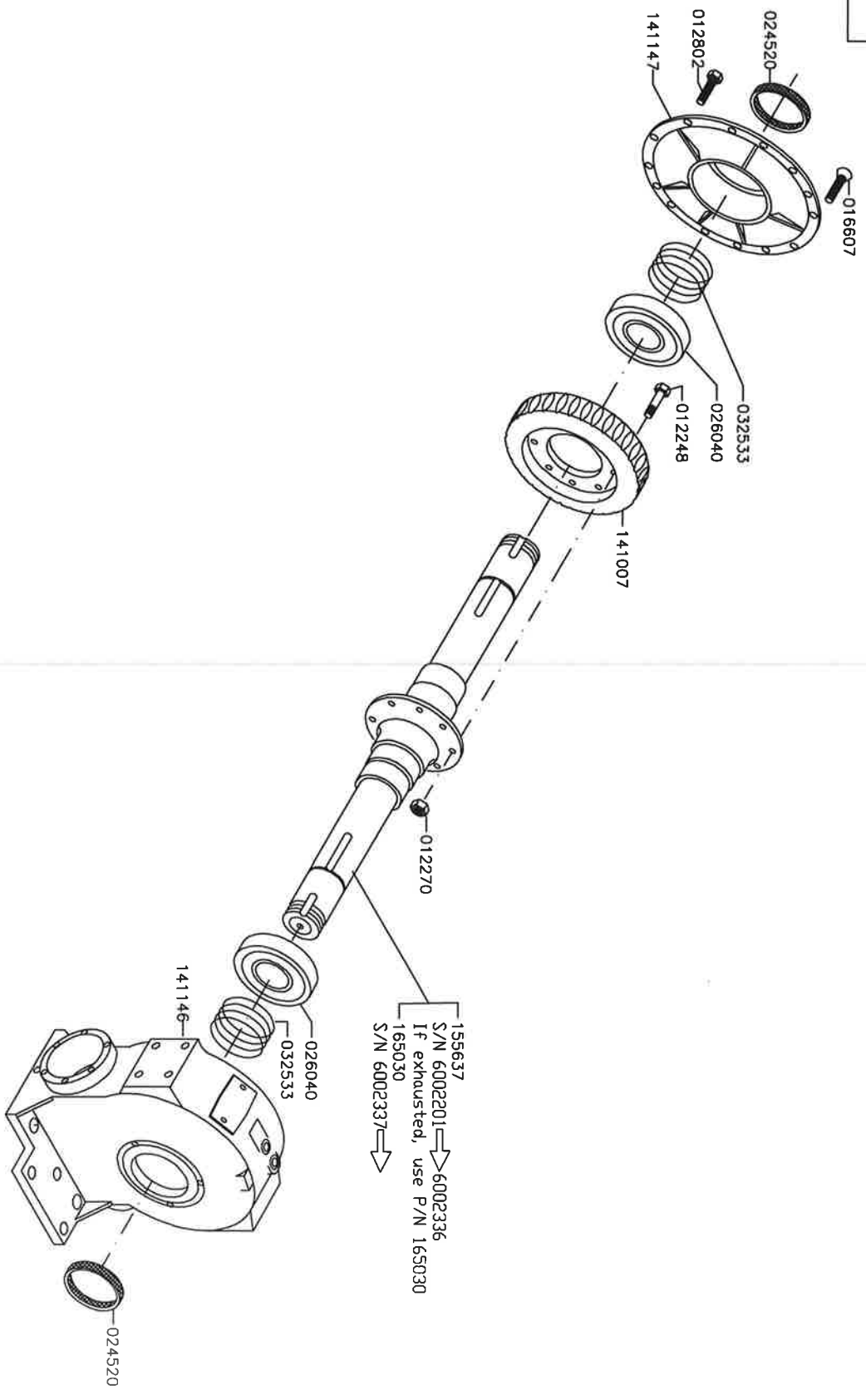
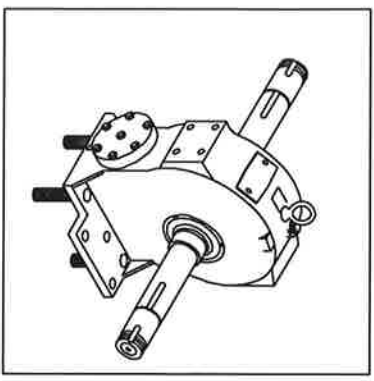
See page 11

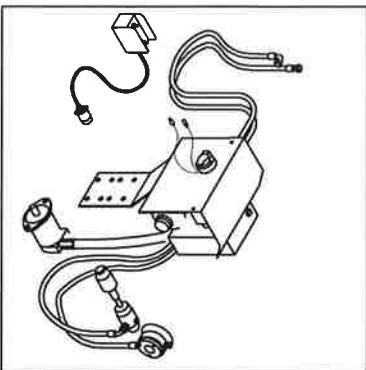
062331  
Z=19-3/4", 19-3/4", 38-1/2"  
L=130mm  
S/N 6002337 →  
(Sprocket forward)

062330  
Z=19-3/4", 38-1/2"  
L=80mm  
S/N 6002337 →  
(Sprocket backward)

# IGLAND 6002 Pronto TL, TLP and 6002 Pronto Top

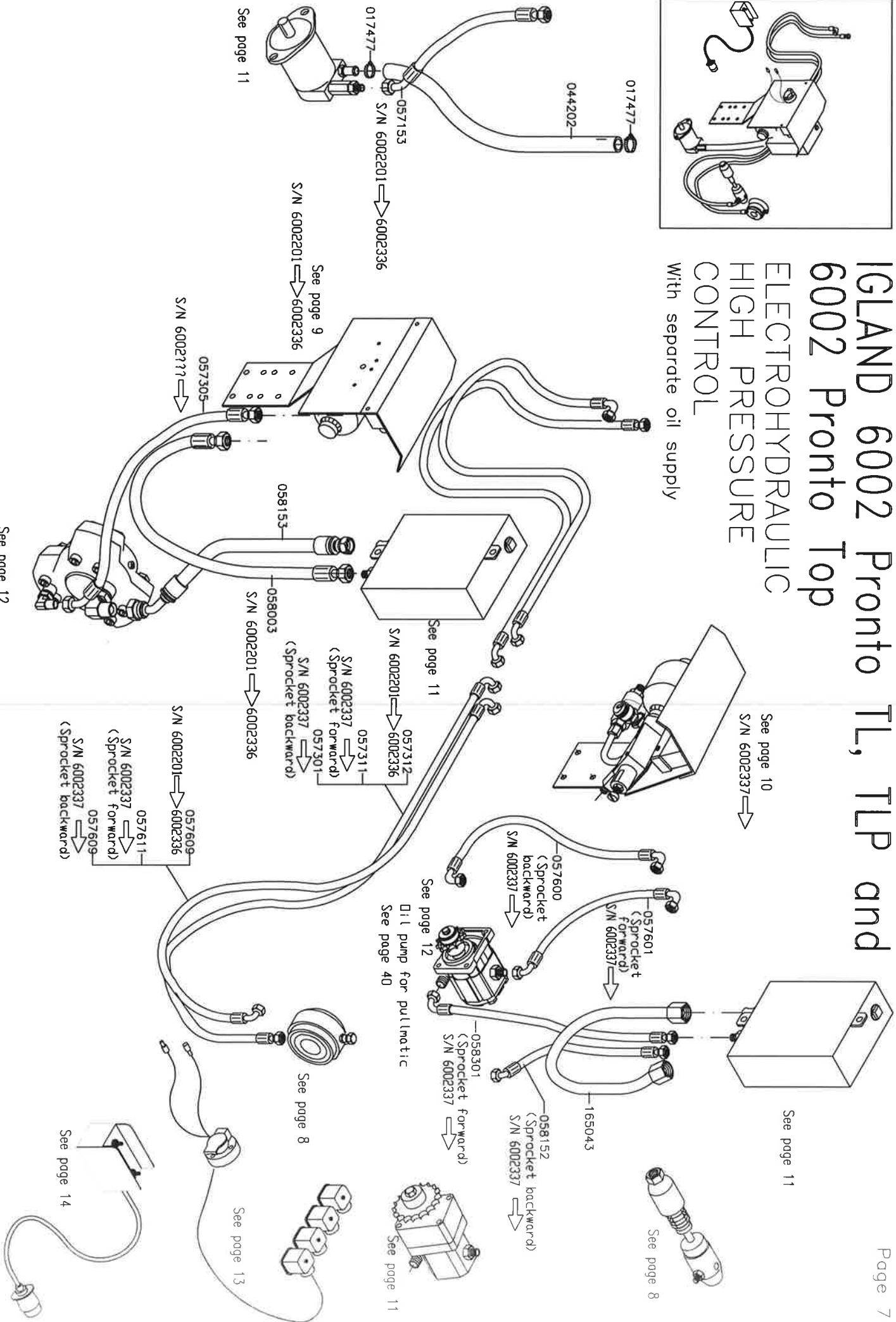
## “HEAD”





# IGLAND 6002 Pronto TL, TLP and 6002 Pronto Top ELECTROHYDRAULIC HIGH PRESSURE CONTROL

With separate oil supply



See page 10  
S/N 6002337 →

See page 11

See page 8

See page 12  
Oil pump for pullmatic  
See page 40

See page 11

See page 8

See page 13

See page 14

017477  
044202

017477  
057153  
S/N 6002201 → 6002336

See page 11

See page 9  
S/N 6002201 → 6002336

057305  
S/N 6002111 →

058153  
S/N 6002201 → 6002336

058003  
(Sprocket forward)  
S/N 6002337 →  
(Sprocket backward)

See page 11

057312  
S/N 6002201 → 6002336

057311  
(Sprocket forward)  
S/N 6002337 →  
(Sprocket backward)

057609  
S/N 6002201 → 6002336

057611  
(Sprocket forward)  
S/N 6002337 →  
(Sprocket backward)

057600  
(Sprocket backward)  
S/N 6002337 →

057601  
(Sprocket forward)  
S/N 6002337 →

058301  
(Sprocket forward)  
S/N 6002337 →

058152  
(Sprocket backward)  
S/N 6002337 →

165043

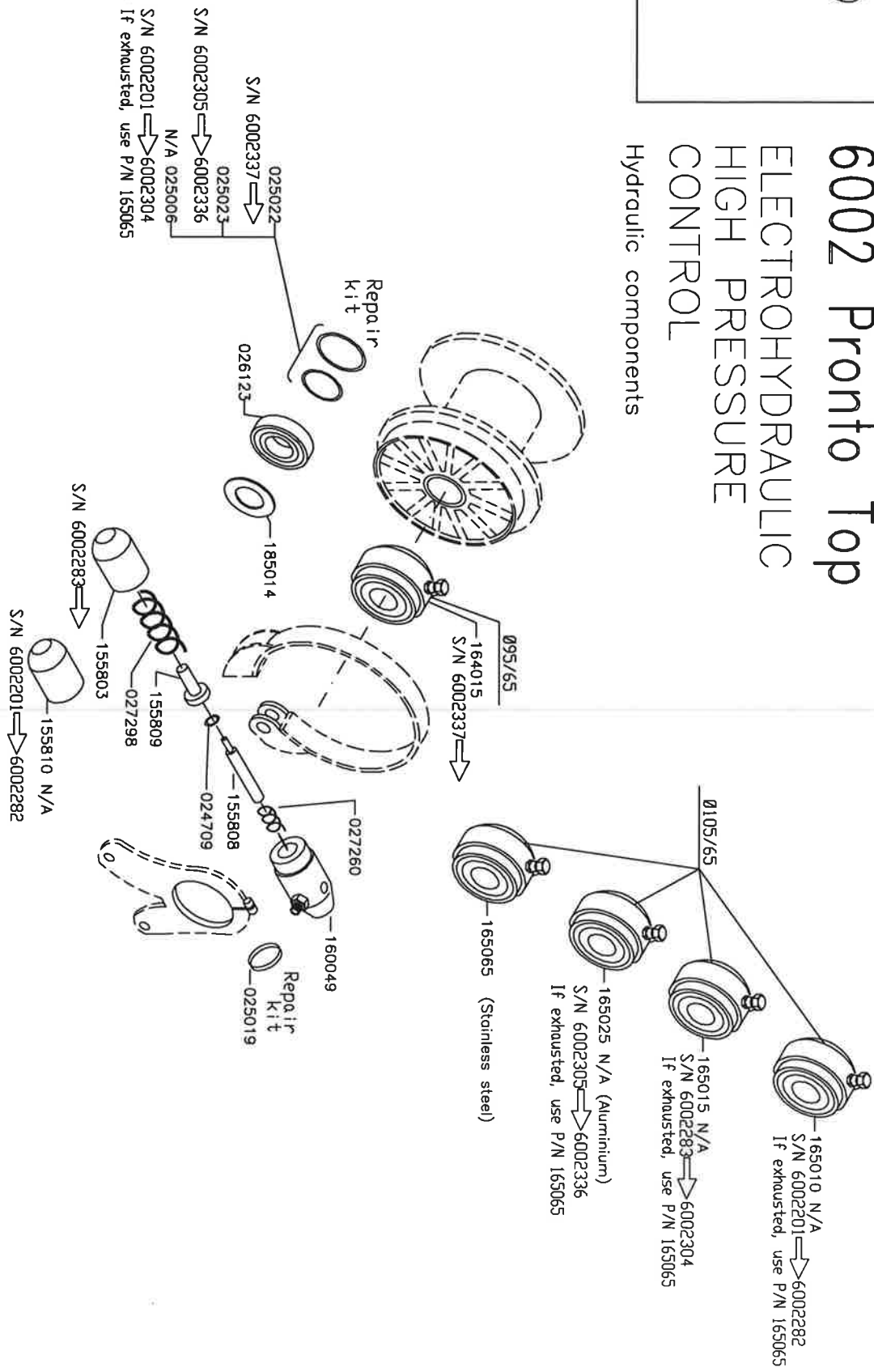
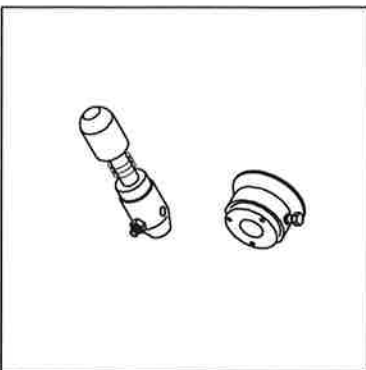
See page 11

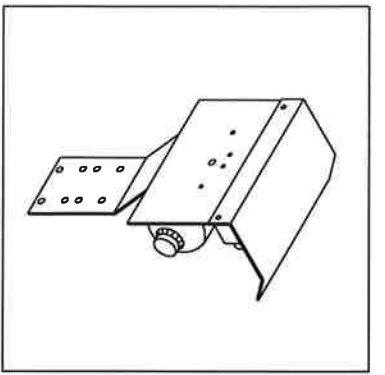


# IGLAND 6002 Pronto TL, TLP and 6002 Pronto Top

## ELECTROHYDRAULIC HIGH PRESSURE CONTROL

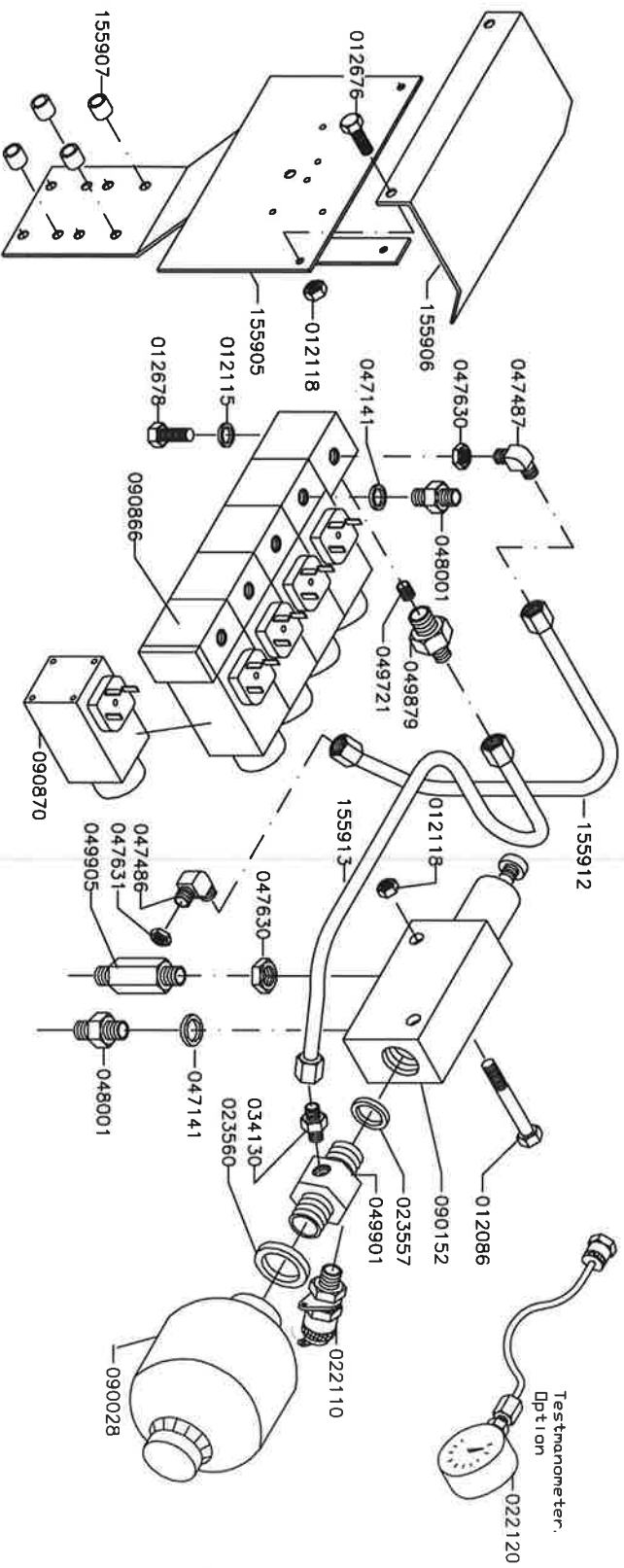
Hydraulic components

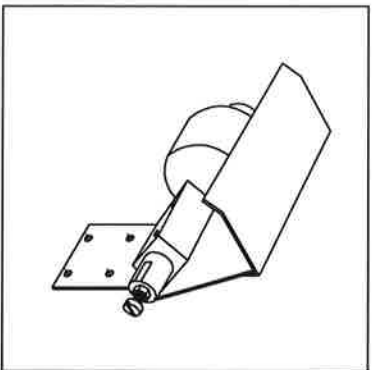




# IGLAND 6002 Pronto TL and 6002 Pronto Top ELECTROHYDRAULIC HIGH PRESSURE CONTROL

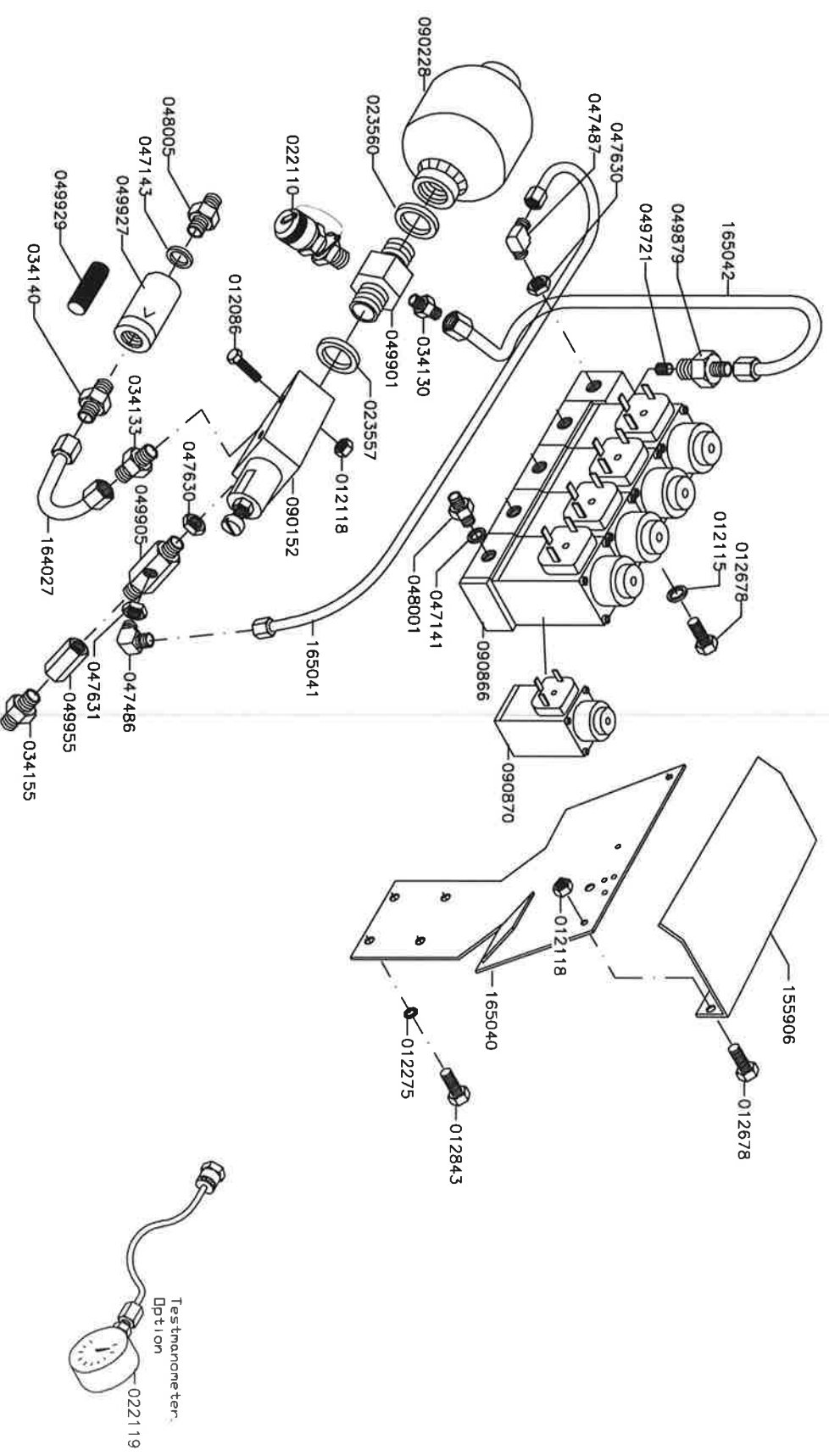
Hydraulic components S/N 6002201 ⇐ 6002336

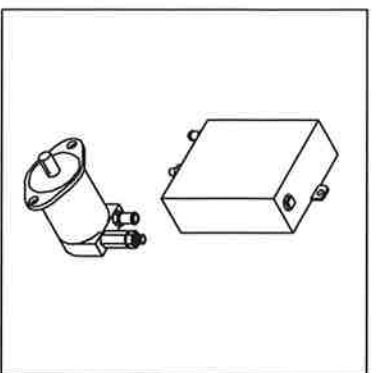




# IGLAND 6002 Pronto TL, TLP and 6002 Pronto Top ELECTROHYDRAULIC HIGH PRESSURE CONTROL

Hydraulic components S/N 6002337 ⇨

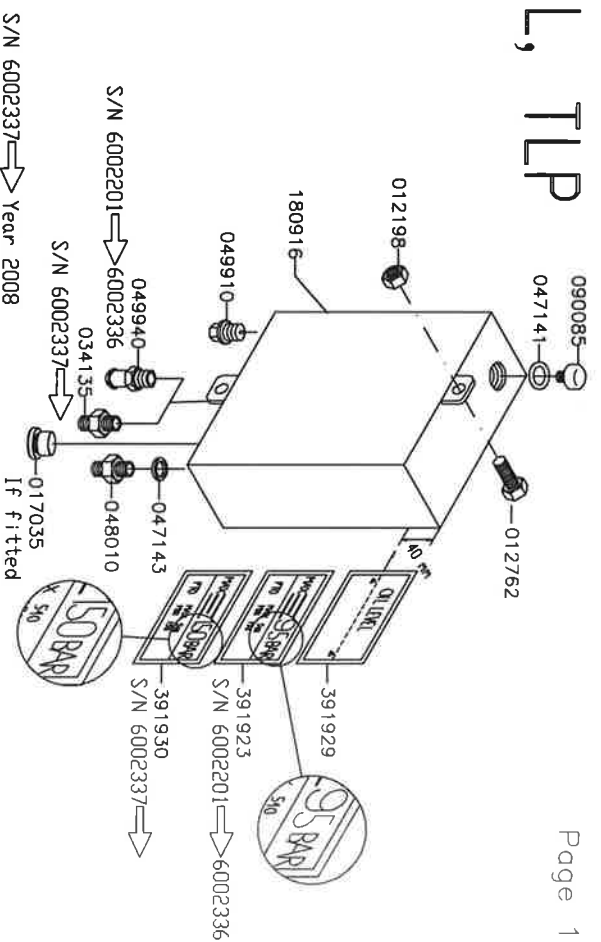




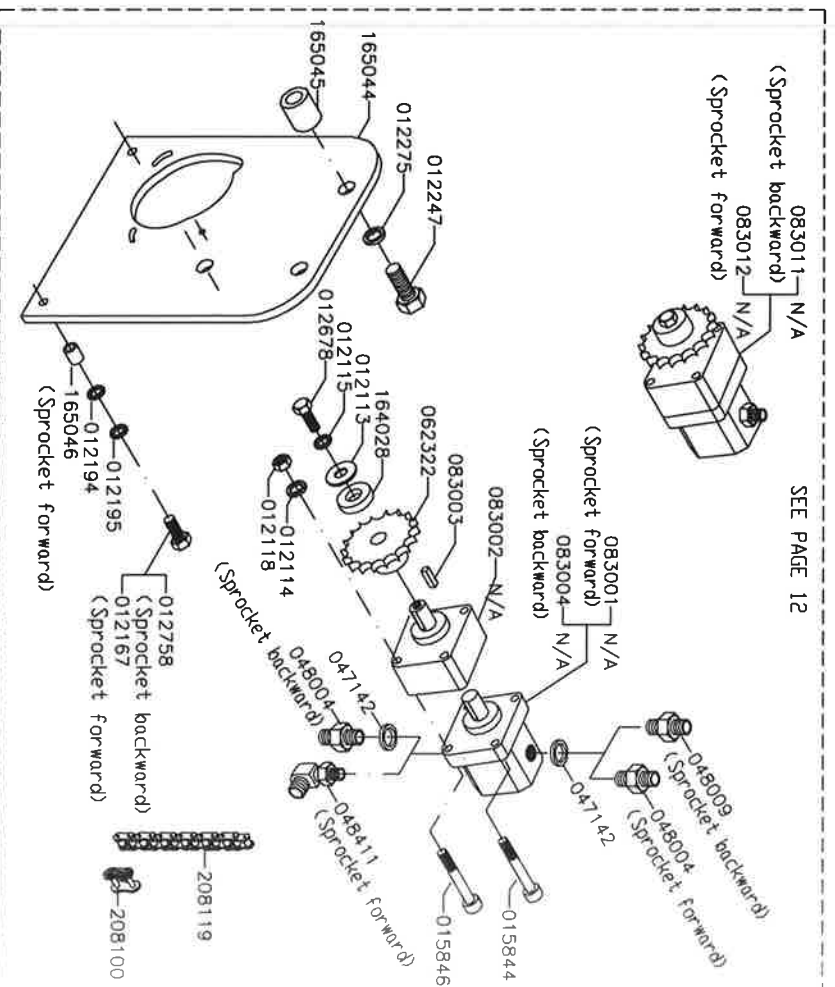
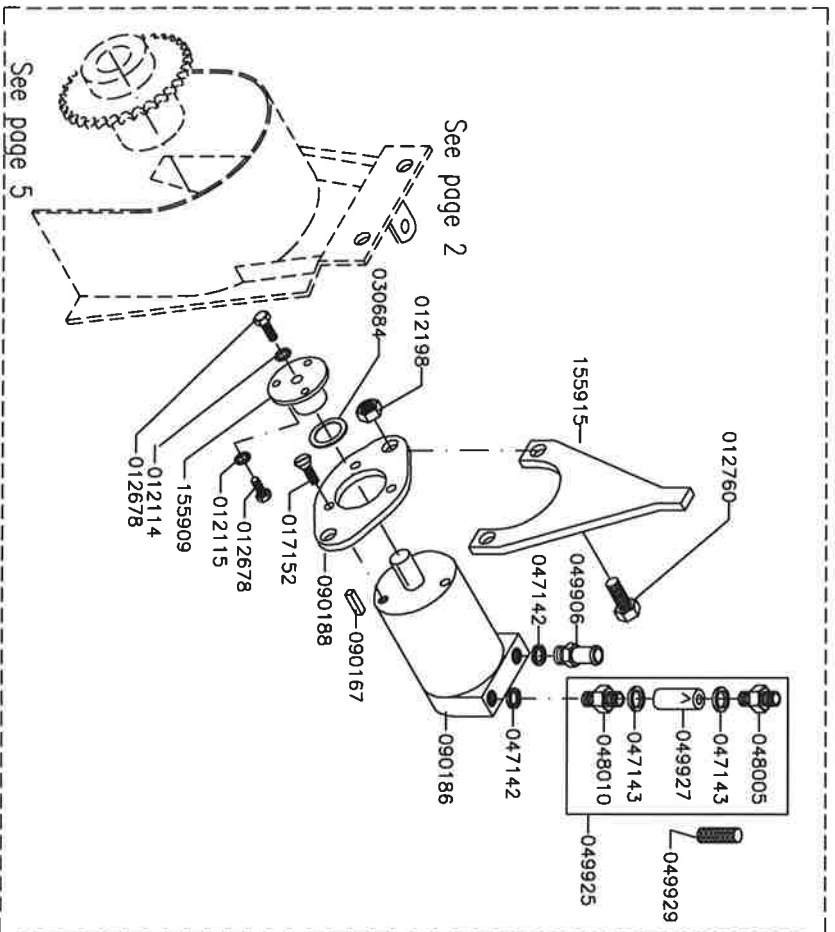
# IGLAND 6002 Pronto TL, TLP and 6002 Pronto Top

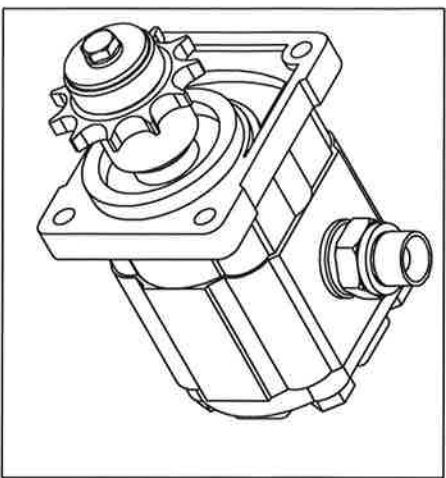
## ELECTROHYDRAULIC HIGH PRESSURE CONTROL

Hydraulic components



S/N 6002201 → 6002336





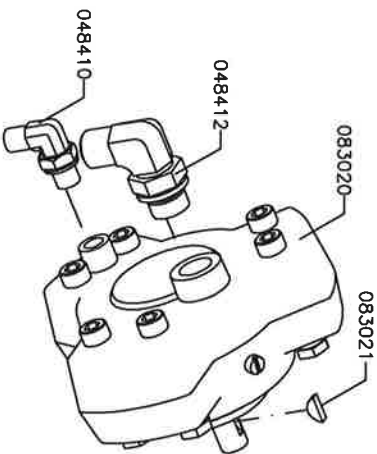
# IGLAND 6002 Pronto TL, TLP and 6002 Pronto Top

## ELECTROHYDRAULIC HIGH PRESSURE CONTROL

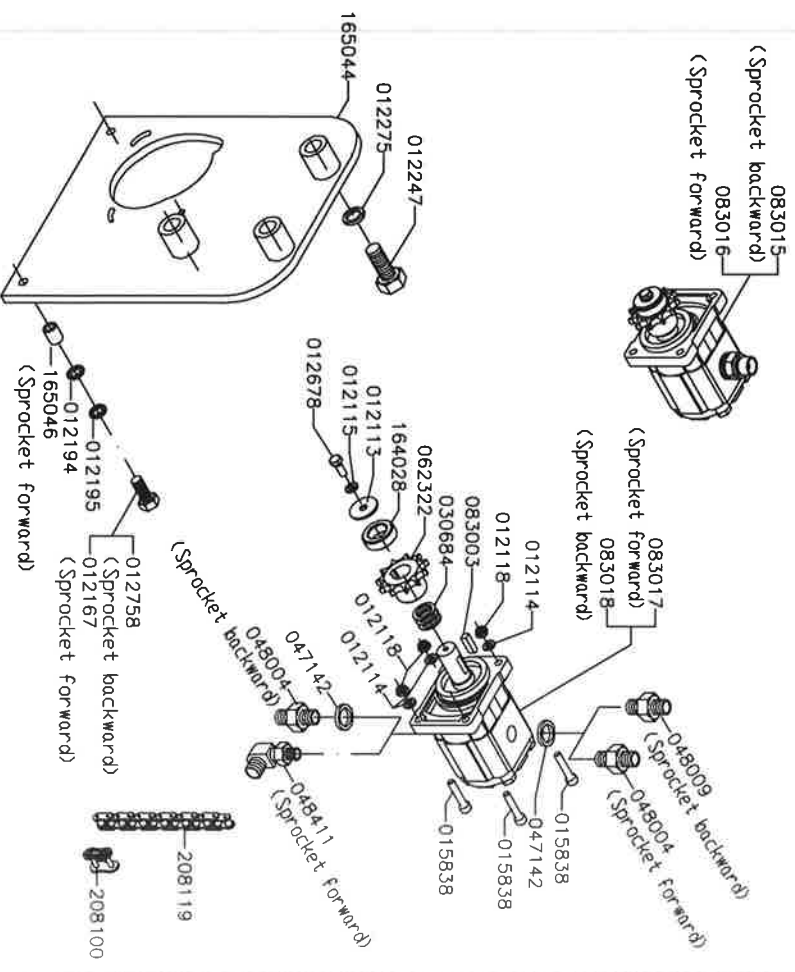
Hydraulic components

DIL PUMP FÜR PULLMATIC. SEE PAGE 41

OPTIDN HAWE PUMPE

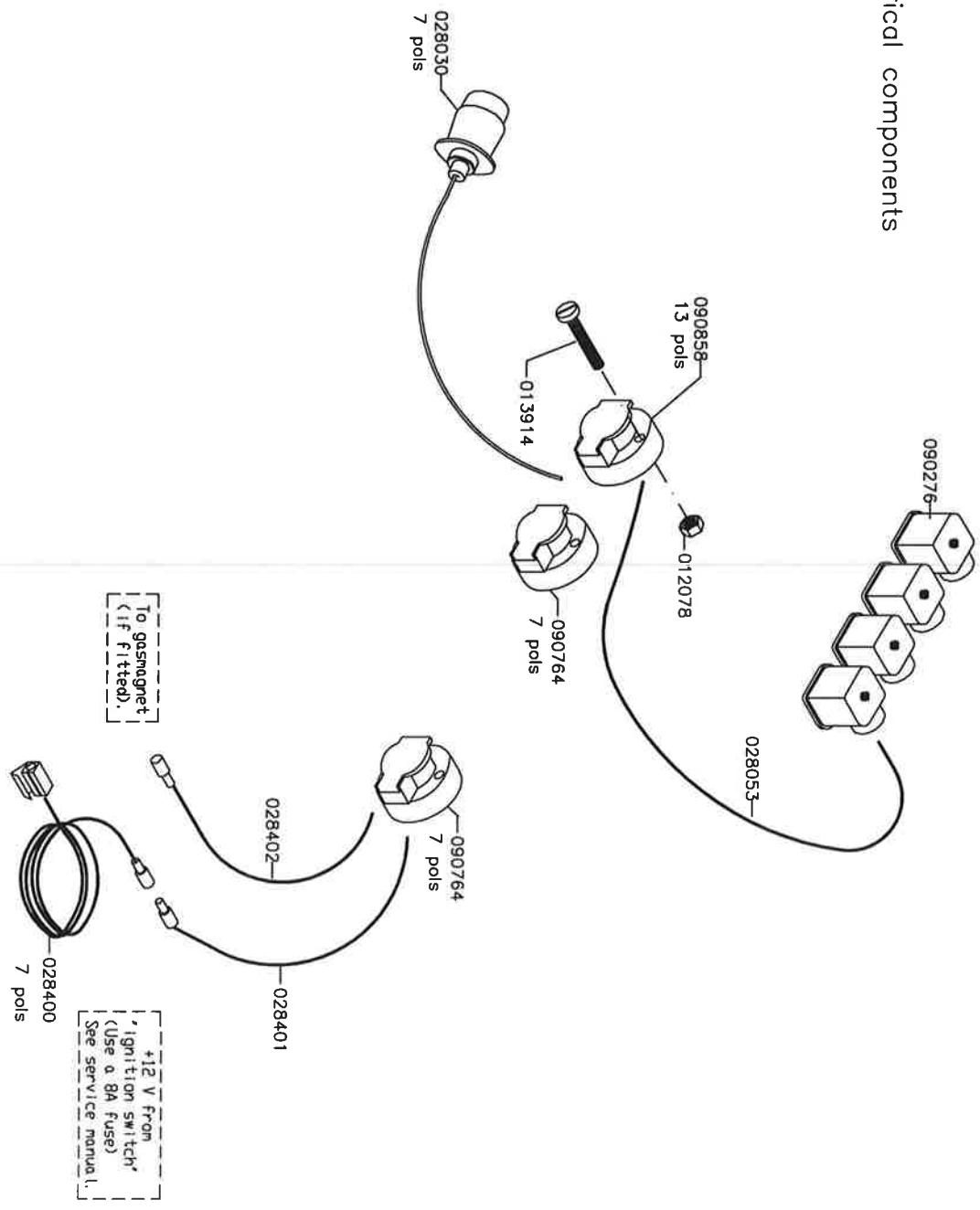
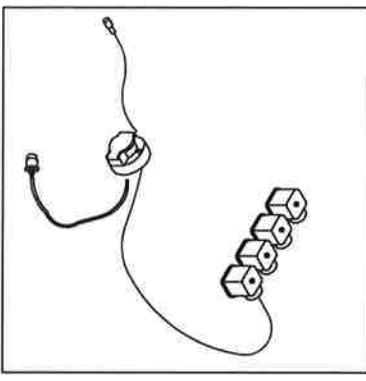


Year 2008 ⇄



# IGLAND 6002 Pronto TL, TLP and 6002 Pronto Top ELECTROHYDRAULIC CONTROL

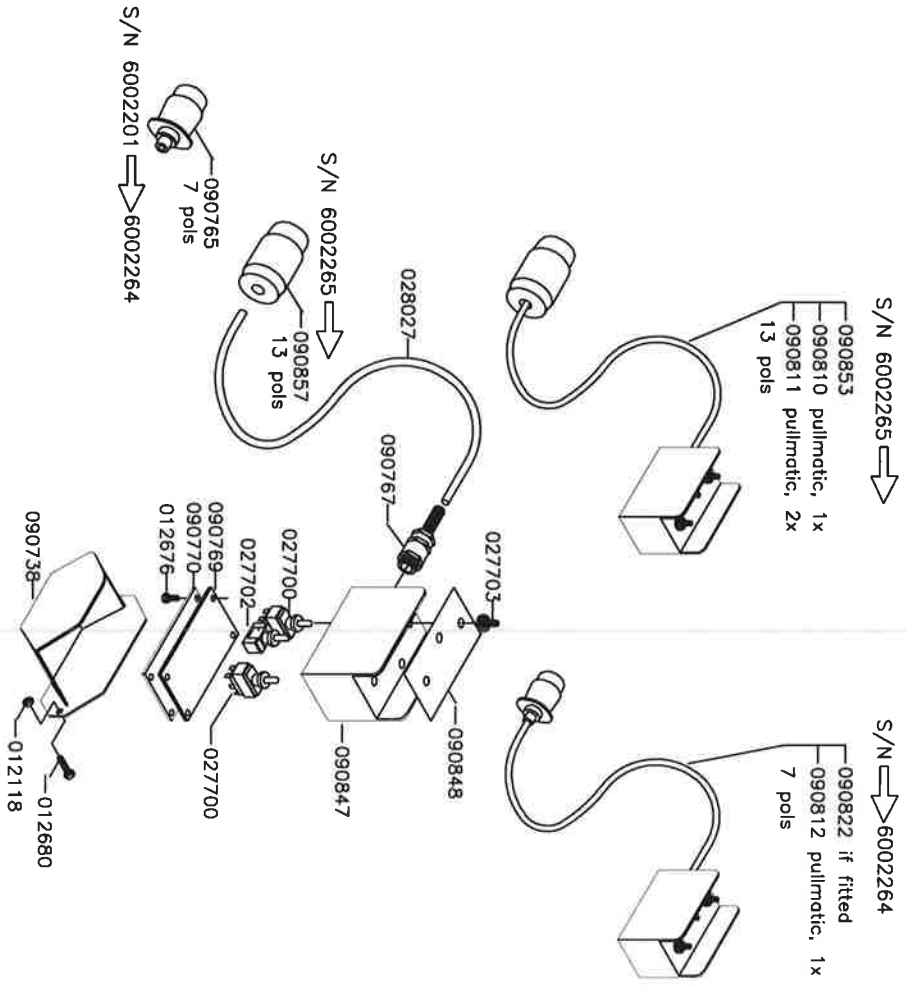
Electrical components





# IGLAND 6002 Pronto TL, TLP and 6002 Pronto Top ELECTROHYDRAULIC CONTROL

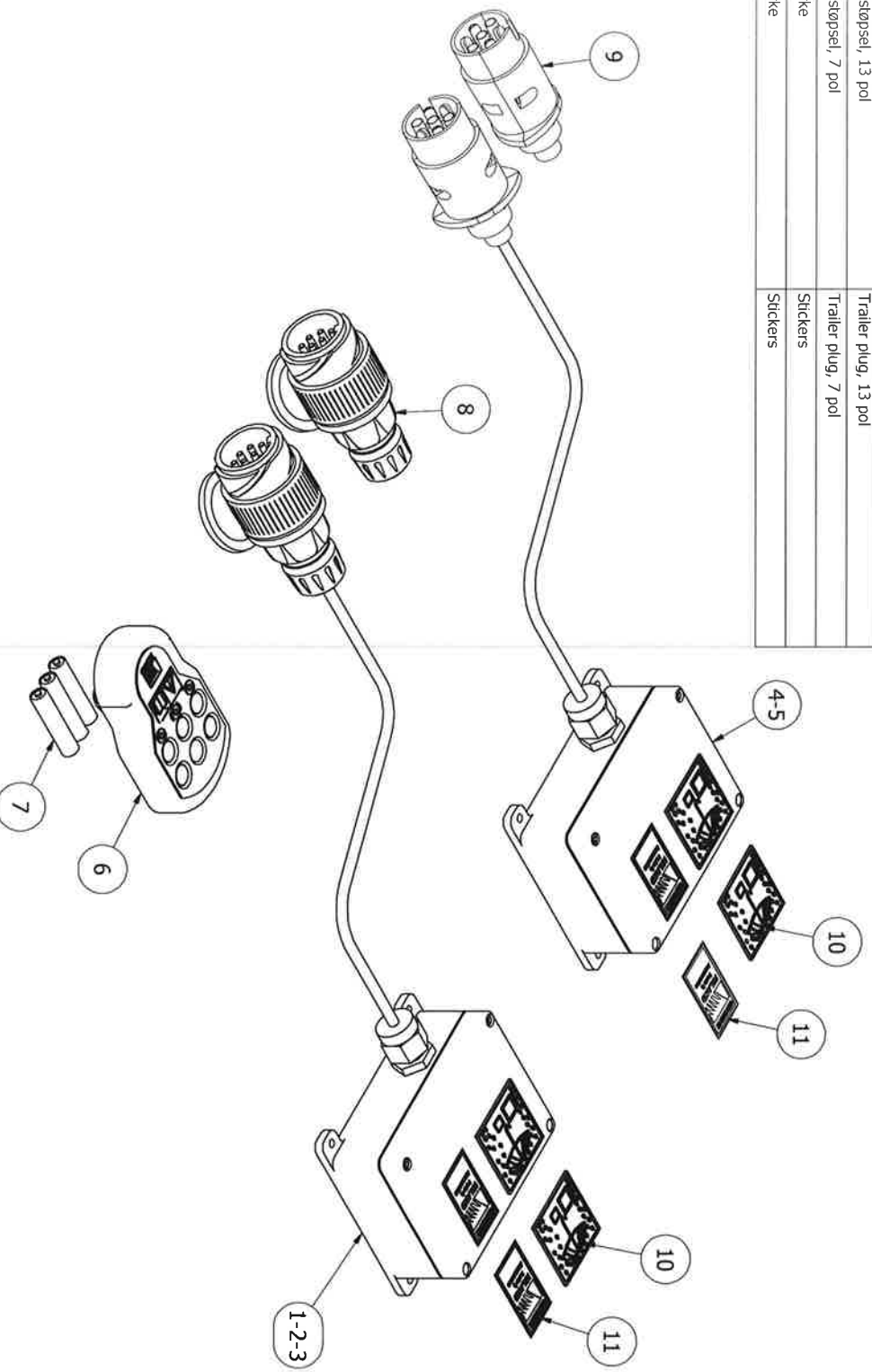
Electrical components



# IGLAND 6002 PRONTO TL, TLP Option Radio remote control 2.4 GHz

RESERVEDELSLISTE - SPARE PARTS LIST

Pos.	Qty	Item No./ Varenummer	Beskrivelse	Description
1	1	095570	Mottaker 6 kanal, 2,4 GHz, 13 pol kontakt	Receiver 6 channel, 2,4 GHz, 13 pole plug
2	1	095571	Mottaker 6 kanal, 2,4 GHz, 13 pol kontakt, m/pullmatic for 1 trommel	Receiver 6 channel, 2,4 GHz, 13 pole plug, w/pullmatic for 1 drum
3	1	095572	Mottaker 6 kanal, 2,4 GHz, 13 pol kontakt, m/pullmatic for 2 trommer	Receiver 6 channel, 2,4 GHz, 13 pole plug, w/pullmatic for 2 drums
4	1	095573	Mottaker 6 kanal, 2,4 GHz, 7 pol kontakt	Receiver 6 channel, 2,4 GHz, 7 pole plug
5	1	095574	Mottaker 6 kanal, 2,4 GHz, 7 pol kontakt, m/pullmatic for 1 trommel	Receiver 6 channel, 2,4 GHz, 7 pole plug, w/pullmatic for 1 drum
6	1	095624	Radiosender 6 kanal 2,4 GHz	Radio transmitter 6 channel 2,4 GHz
7	3	095370	Batteri 1,5V AAA	Batteri 1.5V AAA
8	1	090857	Tilhengersløpsel, 13 pol	Trailer plug, 13 pol
9	1	090765	Tilhengersløpsel, 7 pol	Trailer plug, 7 pol
10	2	391426	Klebermerke	Stickers
11	2	391427	Klebermerke	Stickers

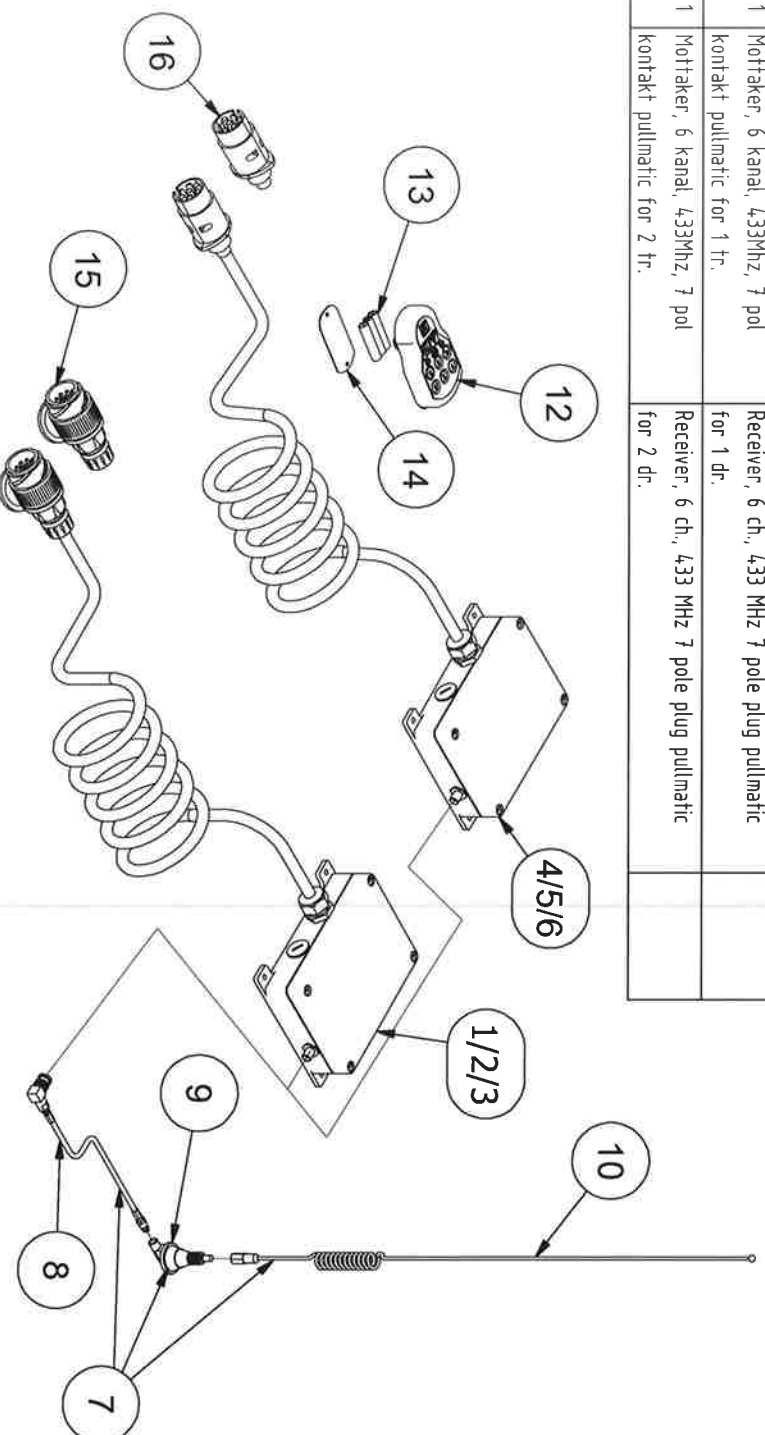




# IGLAND 6002 PRONTO TL, TLP Option Radio remote control

RESERVEDELSLISTE - SPARE PARTS LIST - ERSATZTEILLISTE					
Pos	Art.No.	No	Beskrivelse	Description	Bezeichnung
-	091176	1	Radiobetjening, kpl.	Radio remote control compl.	
	095390	1	Radiobetjening, kpl. pullmatic for 1 tr.	Radio remote control compl. for pullmatic 1 dr.	
	095391	1	Radiobetjening, kpl. pullmatic for 2 tr.	Radio remote control compl. for pullmatic 2 dr.	
	090657		Tillegg for 7 pols kontakt	Add for 7 pole plug	
1	095389	1	Mottaker, 6 kanal, 433MHz, 13 pol kontakt	Receiver, 6 ch., 433 MHz 13 pole plug	
2	095393	1	Mottaker, 6 kanal, 433MHz, 13 pol kontakt pullmatic for 1 tr.	Receiver, 6 ch., 433 MHz 13 pole plug pullmatic for 1 dr.	
3	095395	1	Mottaker, 6 kanal, 433MHz, 13 pol kontakt pullmatic for 2 tr.	Receiver, 6 ch., 433 MHz 13 pole plug pullmatic for 2 dr.	
4	095388	1	Mottaker, 6 kanal, 433MHz, 7 pol kontakt	Receiver, 6 ch., 433MHz 7 pole plug	
5	095392	1	Mottaker, 6 kanal, 433MHz, 7 pol kontakt pullmatic for 1 tr.	Receiver, 6 ch., 433 MHz 7 pole plug pullmatic for 1 dr.	
6	095394	1	Mottaker, 6 kanal, 433MHz, 7 pol kontakt pullmatic for 2 tr.	Receiver, 6 ch., 433 MHz 7 pole plug pullmatic for 2 dr.	

RESERVEDELSLISTE - SPARE PARTS LIST - ERSATZTEILLISTE					
Pos	Art.No.	No	Beskrivelse	Description	Bezeichnung
7	095289	1	Antenne komplett, 433 Mhz	Antenna compl., 433MHz	
8	095292	1	Antennekabel	Antenna cable	
9	095290	1	Antennefot	Antenna base	
10	095291	1	Antennepisk, 433 Mhz	Antenna	
12	095364	1	Radiosender, 6 kanal, 433 Mhz	Transmitter, 6 ch., 433MHz	
13	095370	3	Batteri, 1,5V AAA	Battery 1,5V	
14	095371	1	Batteriløkk	Battery cover	
15	090857	1	Støpsel, 13 pol	13 pole plug	
16	090765	1	Støpsel, 7 pol	7 pole plug	



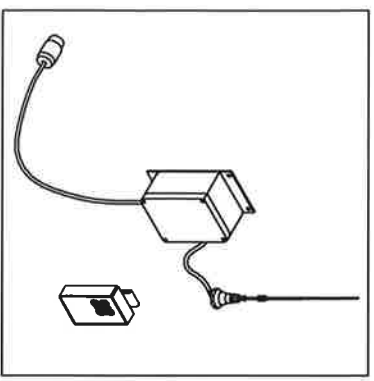
# IGLAND 6002 Pronto TL, TLP and Pronto Top

## TELERADIO

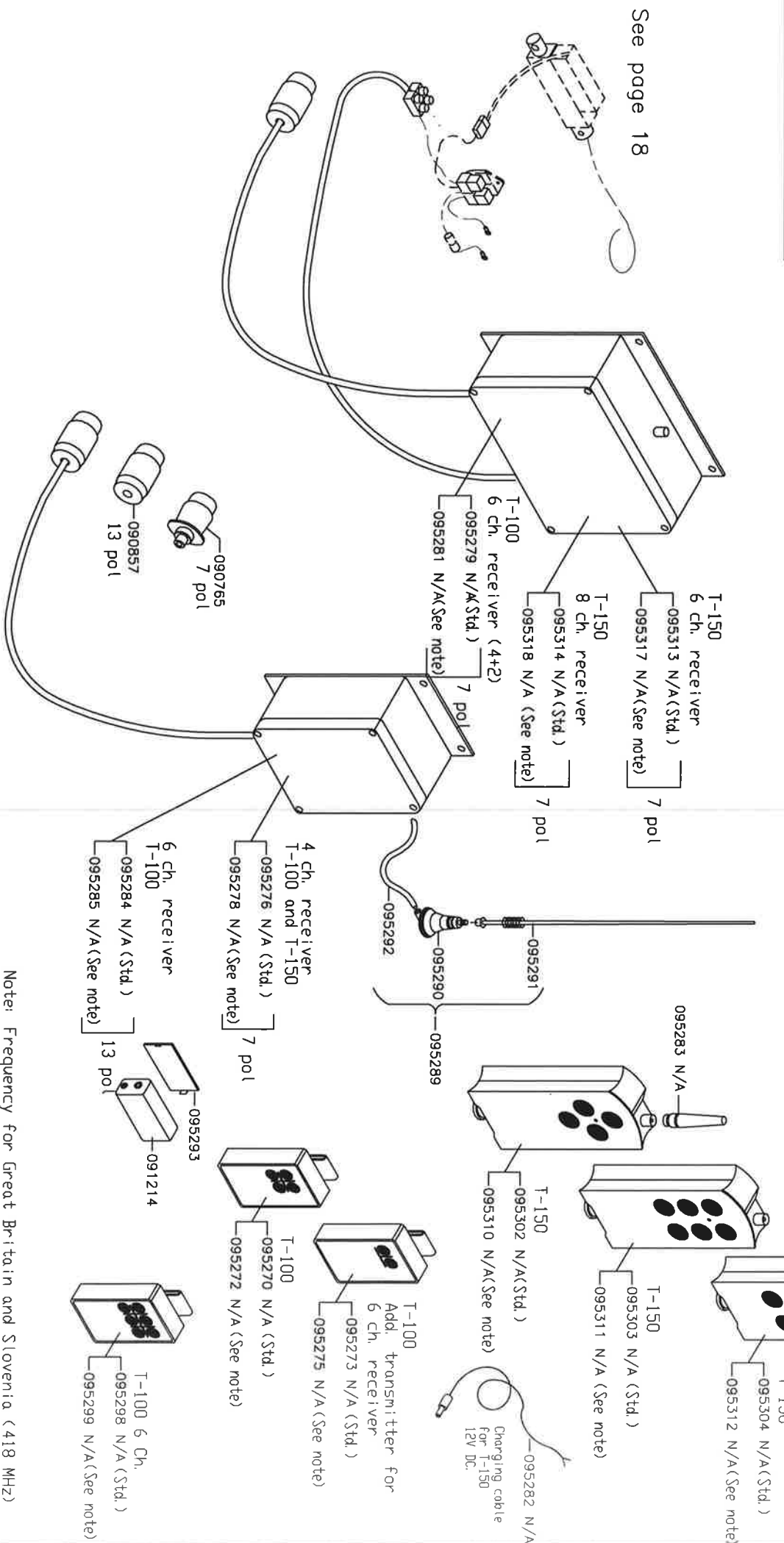
- RADIO REMOTE CONTROL KIT, T-100, 4 ch.: 091160 N/A
- RADIO REMOTE CONTROL KIT, T-150, 4 ch.: 091180 N/A
- RADIO REMOTE CONTROL KIT, T-150, 6 ch.: 091181 N/A
- RADIO REMOTE CONTROL KIT, T-150, 8 ch.: 091182 N/A

If fitted.

Add. price for extra 2 ch. transmitter/6 ch. receiver (only for 091160) - 091161 N/A  
 Add. price for frequency for Great Britain and Slovenia. - 091163 N/A

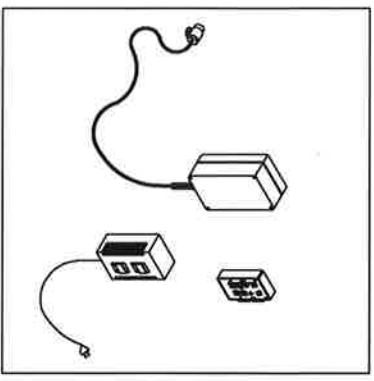


See page 18



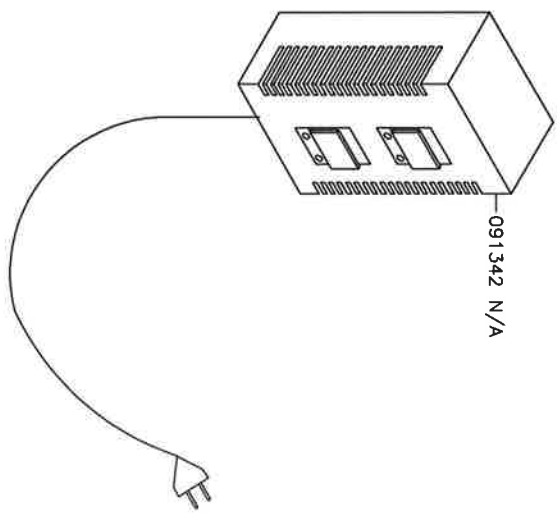
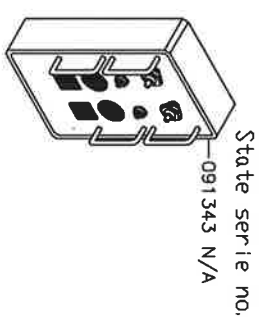
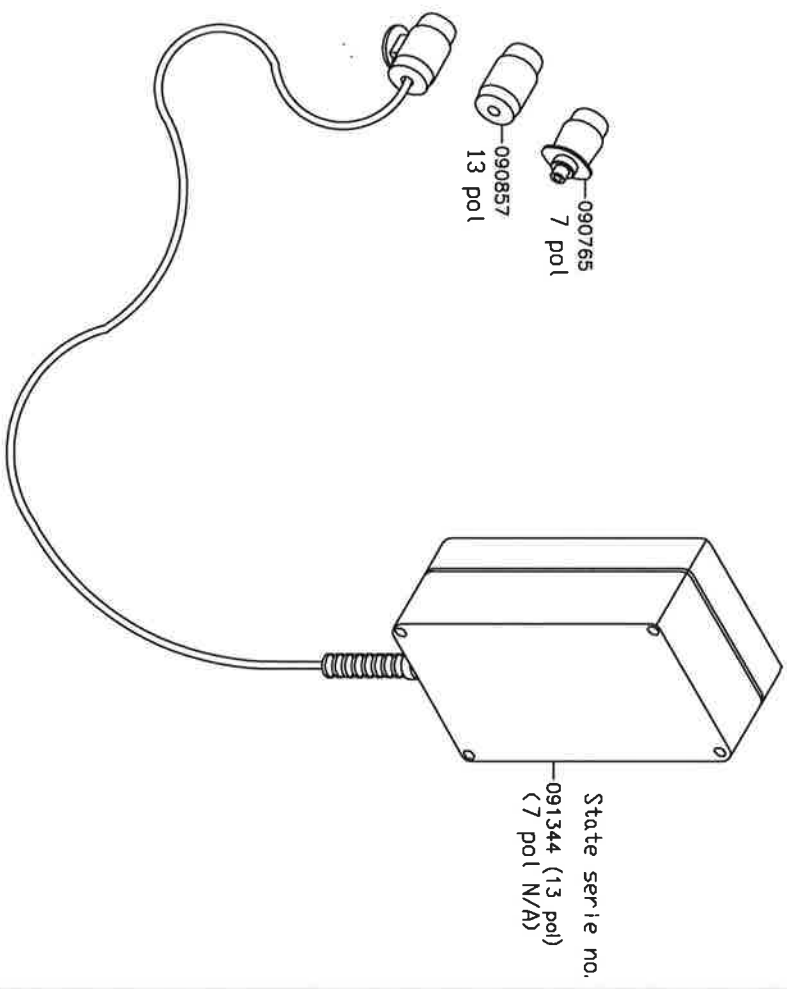
Note: Frequency for Great Britain and Slovenia (418 MHz)

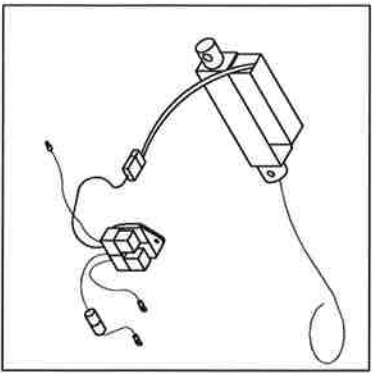
# IGLAND 6002 Pronto TL, TLP IGLAND 6002 Pronto Top



HM RADIO REMOTE CONTROL F202, 7 pol:  
 HM RADIO REMOTE CONTROL F202, 13 pol:  
 HM RADIO REMOTE CONTROL F202, 13 pol m/RPM actuator 091443:  
 HM RADIO REMOTE CONTROL F202, 13 pol m/RPM actuator 091441:  
 HM RADIO REMOTE CONTROL F202, 7 pol m/RPM actuator 091141:

091195 N/A  
 091322 N/A  
 091326 N/A  
 091325 N/A  
 091192 N/A





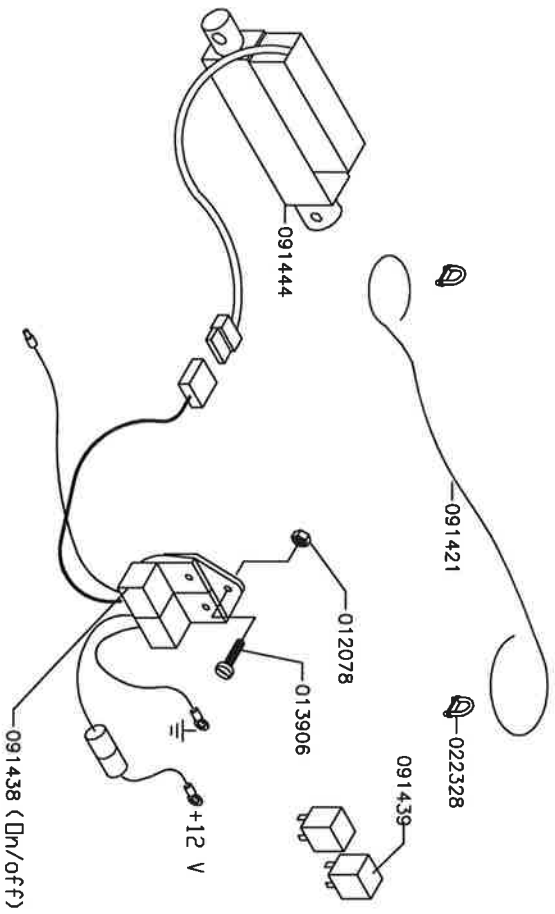
# IGLAND 6002 Pronto TL, TLP and 6002 Pronto Top

RPM ACTUATOR, compl.: 091442  
 On/off function

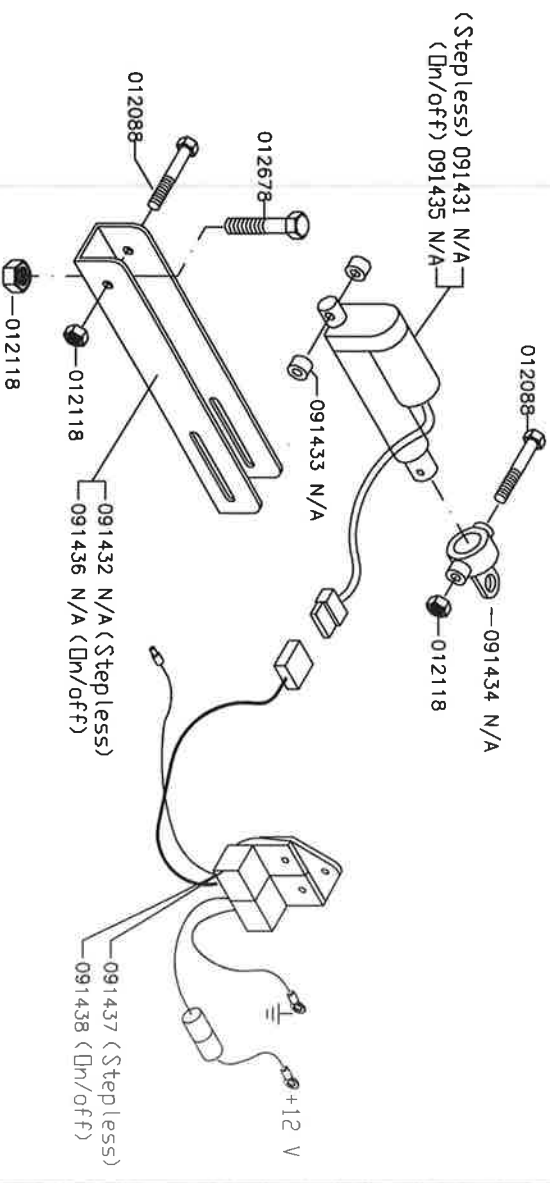
RPM ACTUATOR, compl.: 091443

Stepless function.  
 If fitted.

Later version

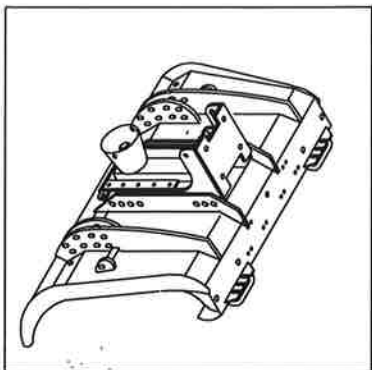


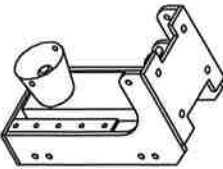
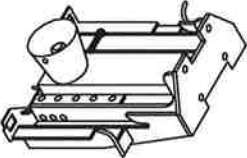
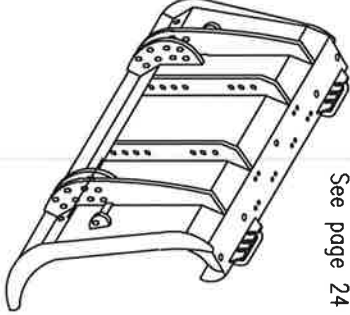
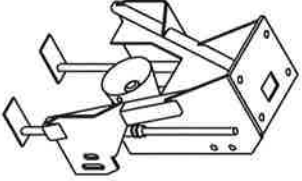
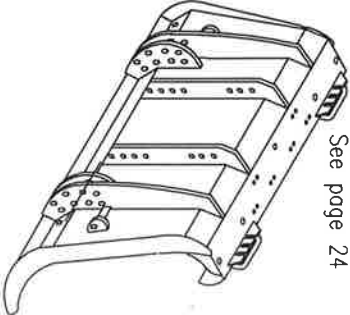
Early version



# IGLAND 6002 Pronto TL, TLP

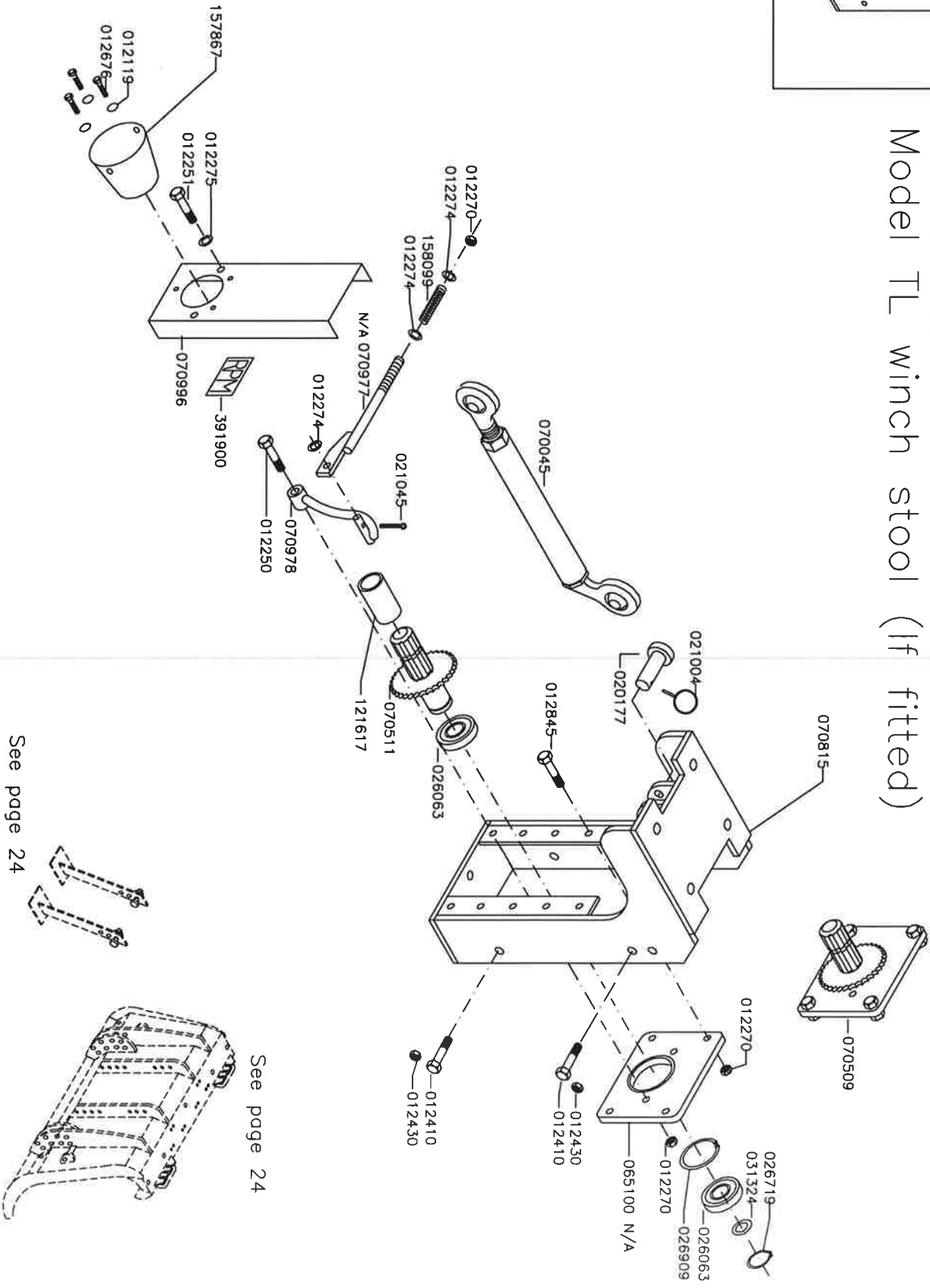
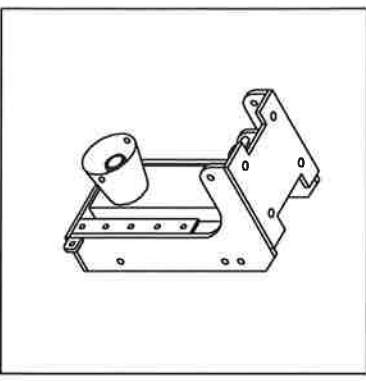
## THREE POINT HITCH C/W LOGGING SHIELD (TYPE LIGNA)



 <p>See page 21</p> <p>Model "TL" c/w bolt-on standard winch stool</p>	 <p>See page 22</p>  <p>See page 24</p>	 <p>See page 23</p>  <p>See page 24</p>
---	---	---

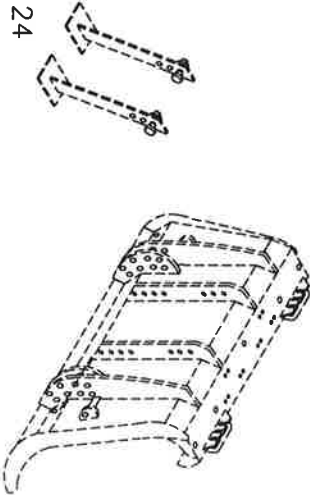
# IGLAND 6002 Pronto TL, TLP

## THREE POINT HITCH Model TL winch stool (If fitted)



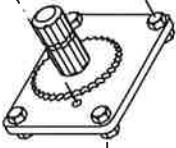
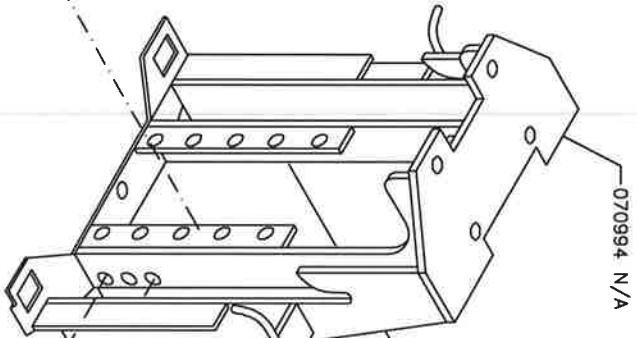
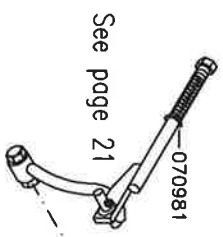
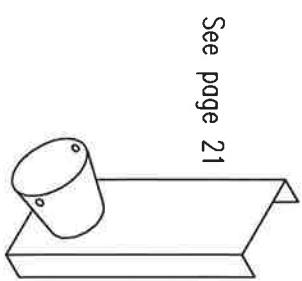
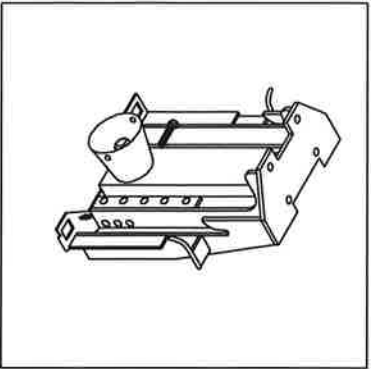
See page 24

See page 24

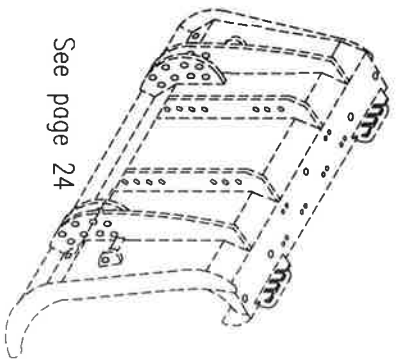
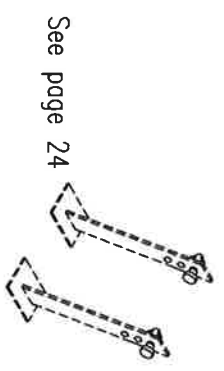
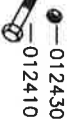


# IGLAND 6002 Pronto TL, TLP

THREE POINT HITCH: 070819  
Model TL, HMV winch stool (If fitted)

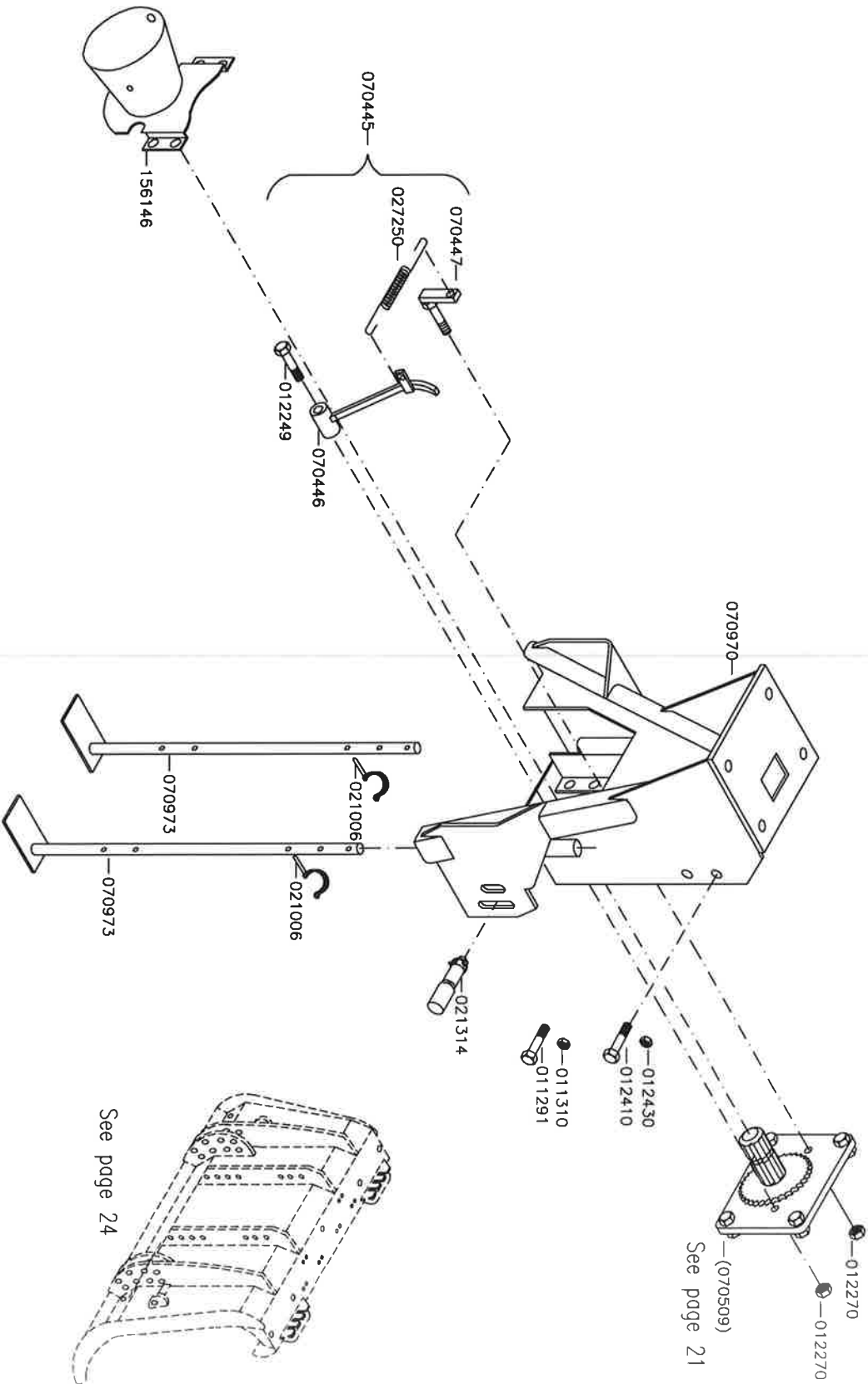
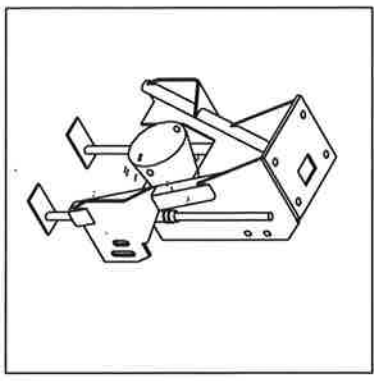


See page 21



# IGLAND 6002 Pronto TL, TLP

Triangel snap link: 070985 If fitted

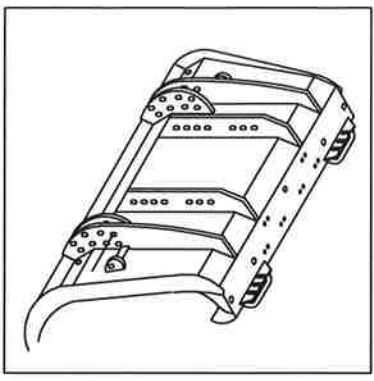


See page 24

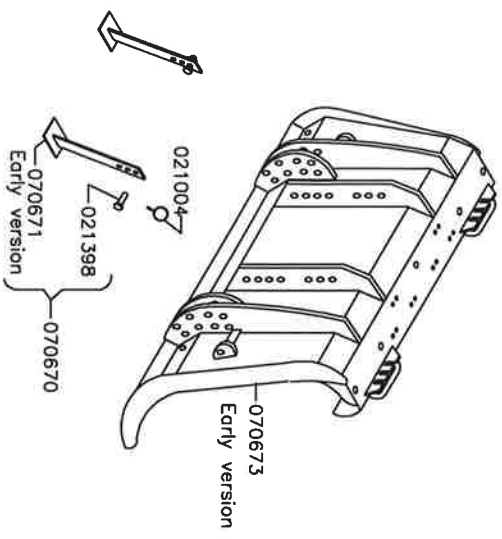


# IGLAND 6002 Pronto TL, TLP

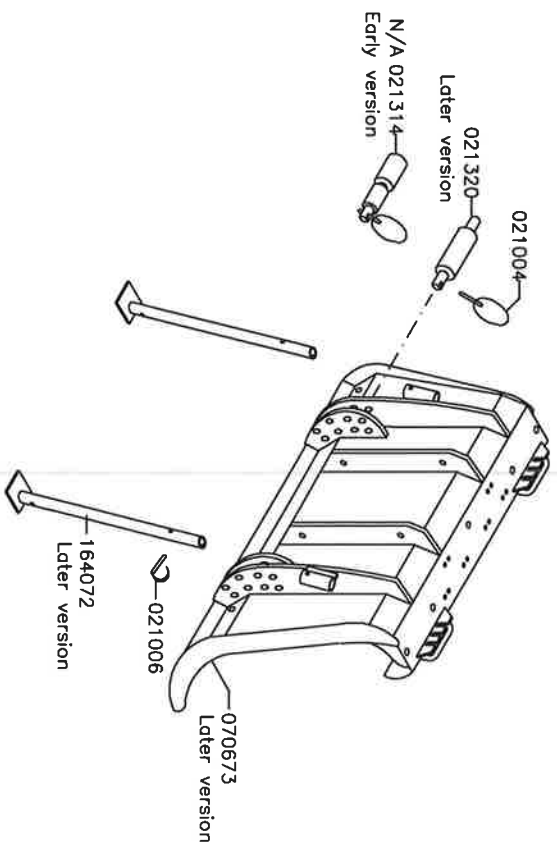
## BUTT PLATE



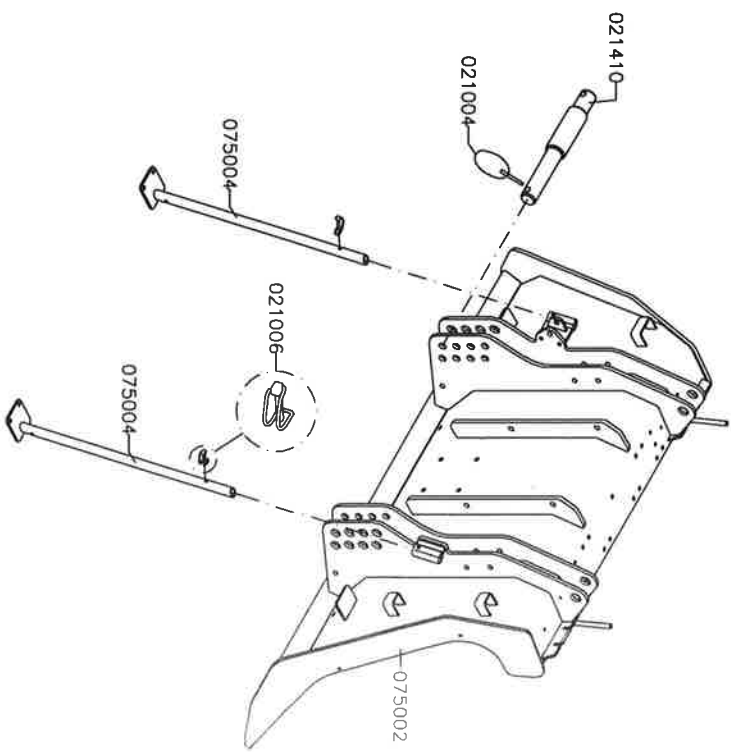
Ligna 2,0 m



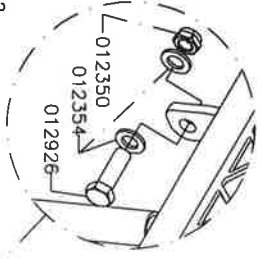
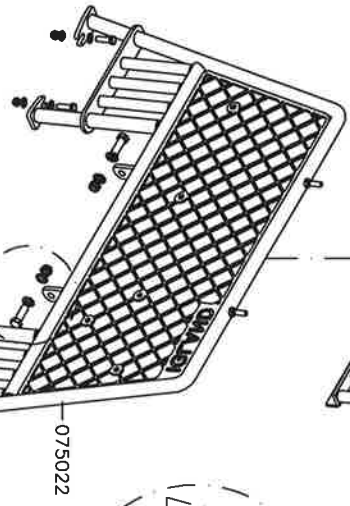
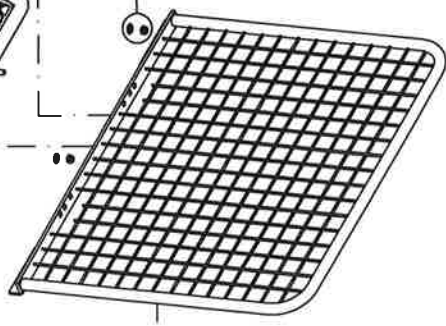
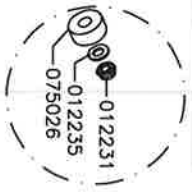
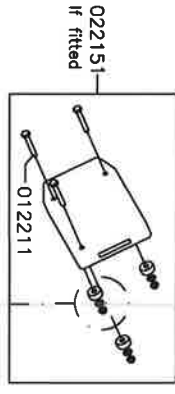
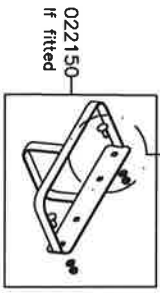
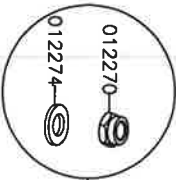
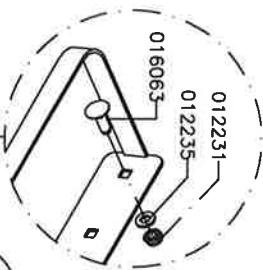
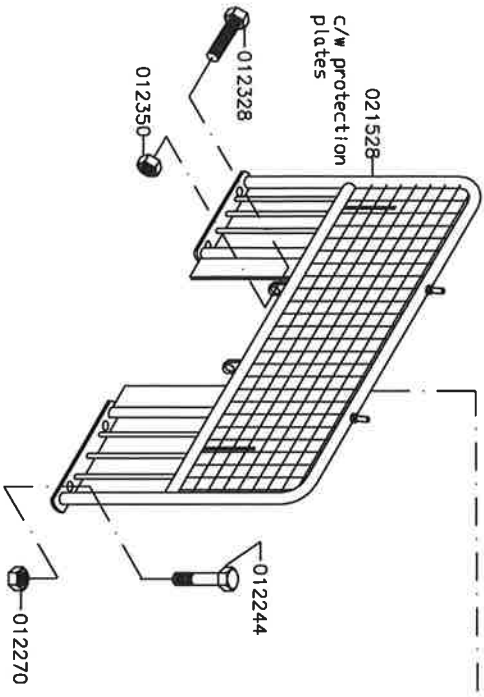
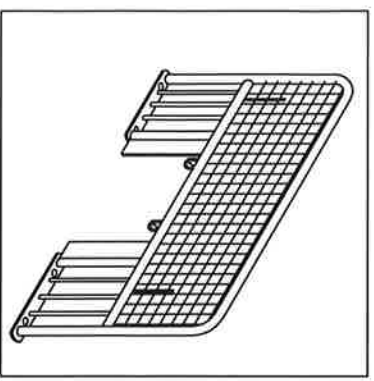
Ligna 2,0 m



TLP 2,2 m

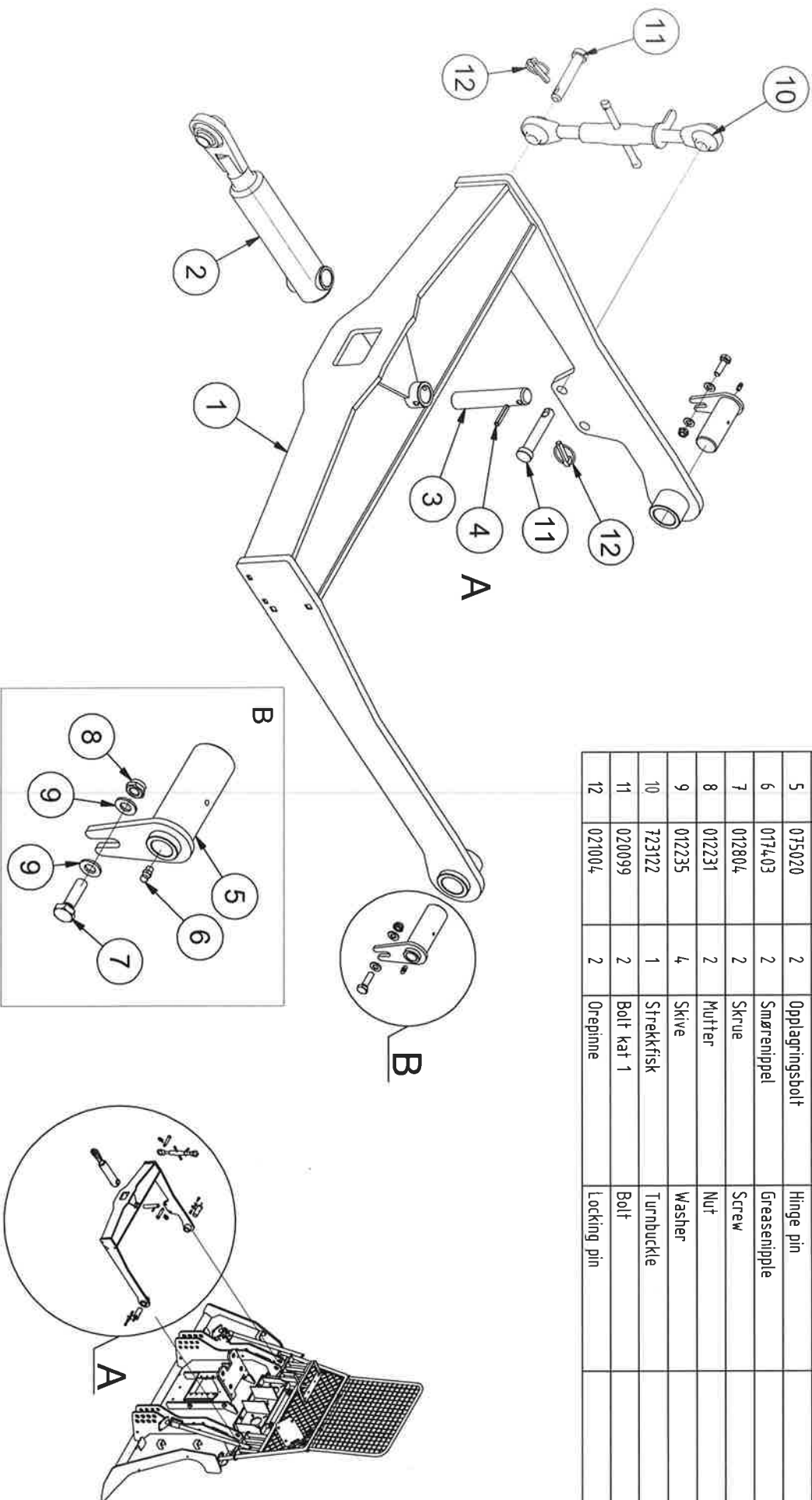


# IGLAND 6002 Pronto TL, TLP PROTECTION SCREEN



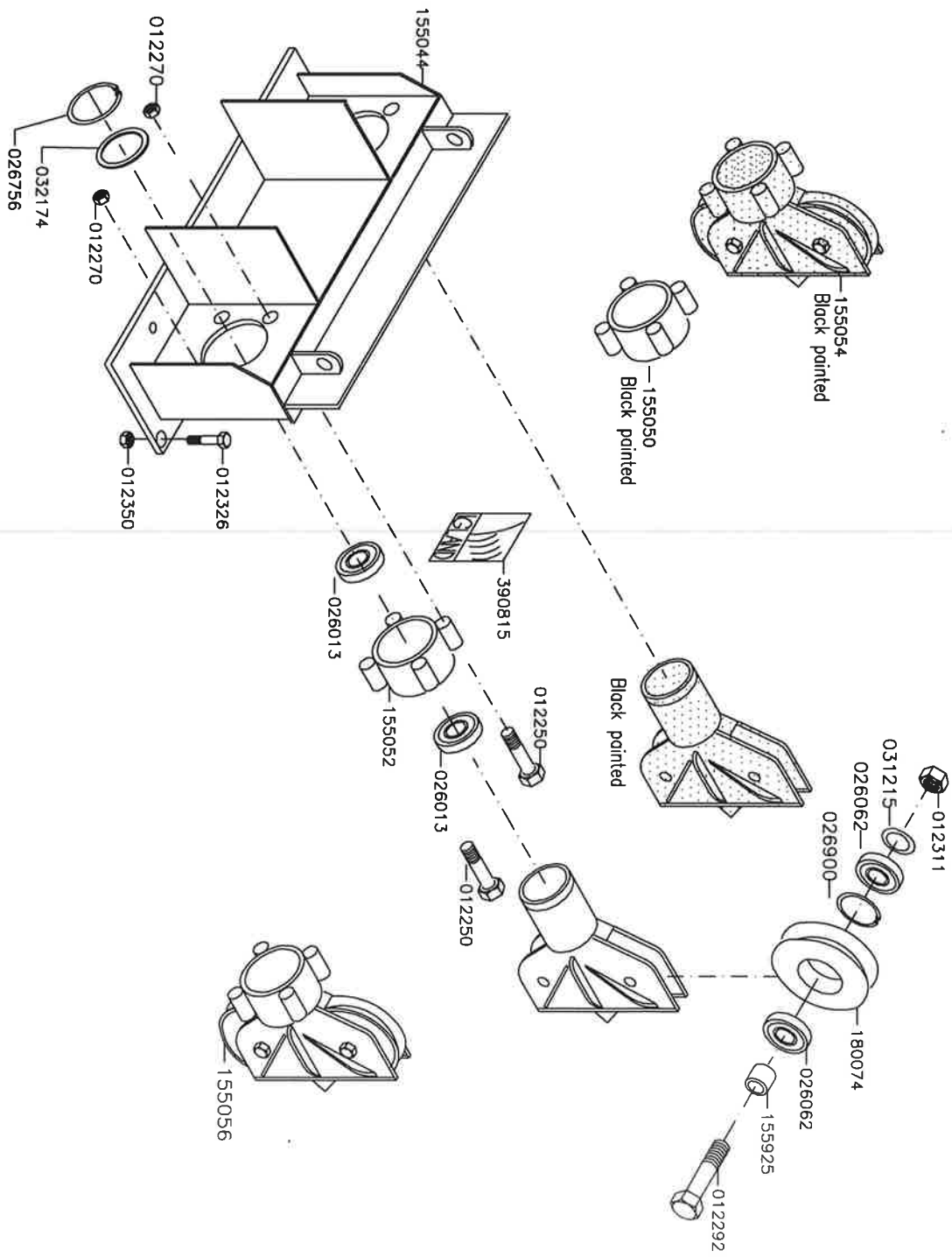
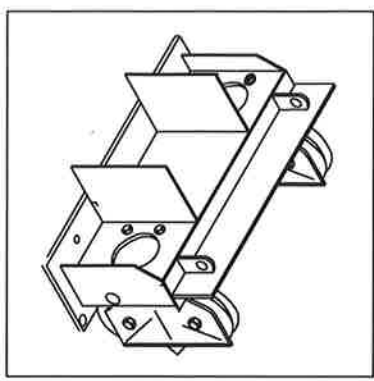
RESERVEDELISTE - SPARE PARTS LIST - ERSATZTEILLISTE

Pos	Art.No.	No	Beskrivelse	Description	Bezeichnung
-	075010	1	Toppstag, spesial kpl.	Top Link compl.	
1	075012	1	Toppstag, ramme	Top link frame	
2	075014	1	Traktorfeste toppstag	Adjusting sleeve	
3	075018	1	Oppplagringsbolt	Hinge pin	
4	020826	1	Spennhylse	Collar sleeve	
5	075020	2	Oppplagringsbolt	Hinge pin	
6	017403	2	Smørenippel	Grease nipple	
7	012804	2	Skrue	Screw	
8	012231	2	Mutter	Nut	
9	012235	4	Skive	Washer	
10	723122	1	Strekkfisk	Turnbuckle	
11	020099	2	Bolt kat 1	Bolt	
12	021004	2	Orepinne	Locking pin	

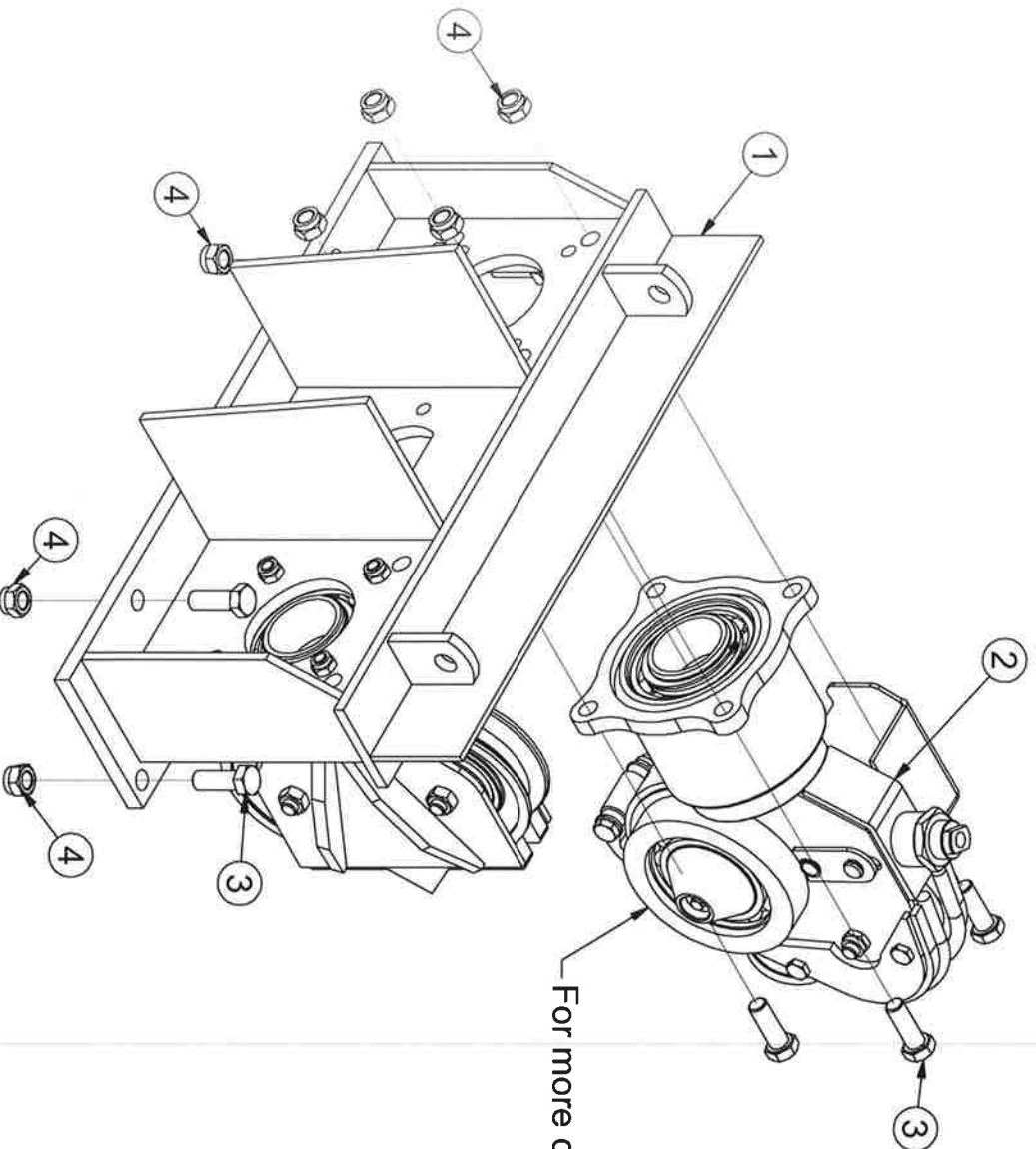


# IGLAND 6002 Pronto TL, TLP

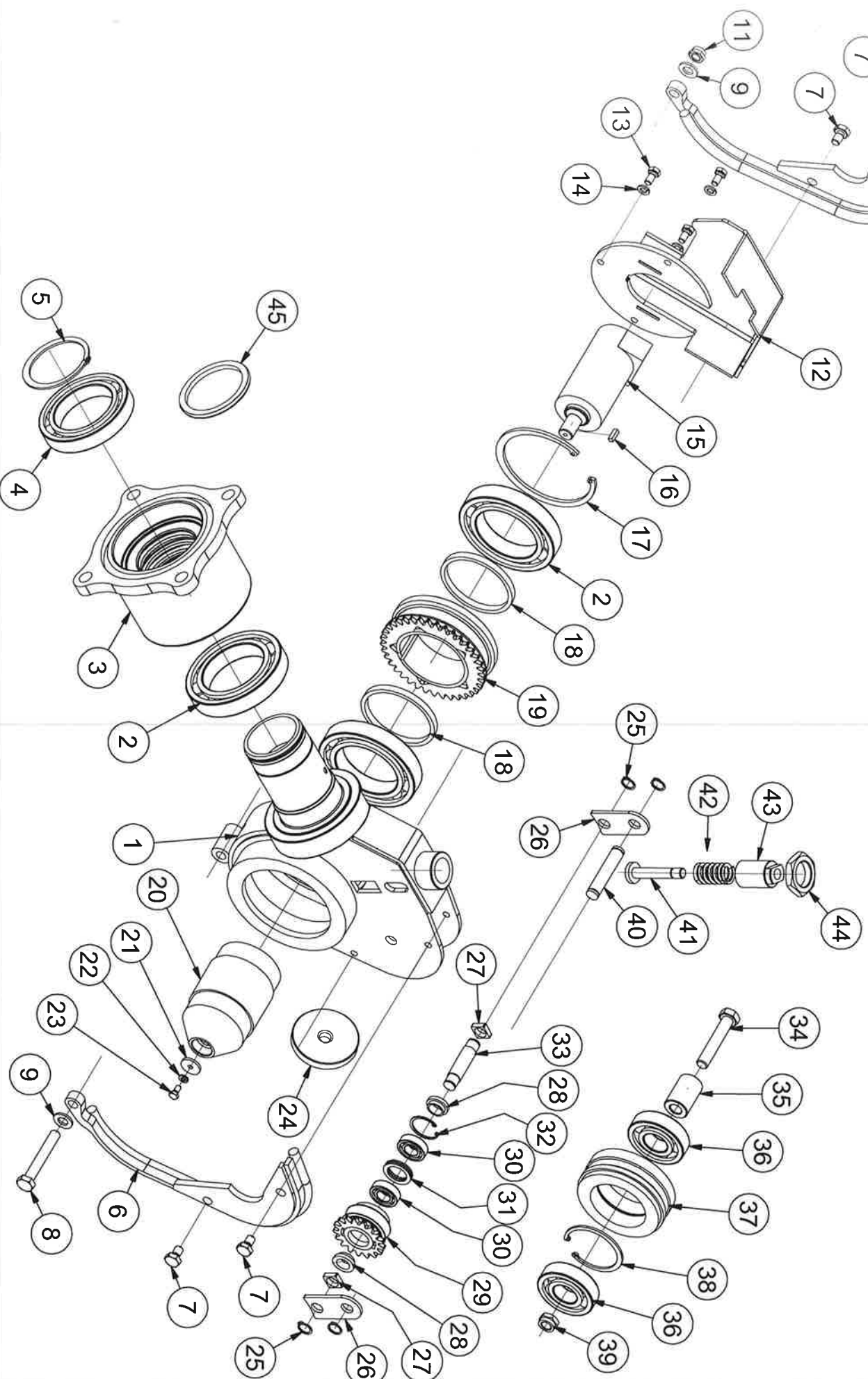
## FAIRLEAD



RESERVEDELSLISTE - SPARE PARTS LIST - ERSATZTEILLISTE					
Pos	Art.No.	No	Beskrivelse	Description	Bezeichnung
1	075024	1	Propellerportholder	Propellers port	
2	165170	1	Pulmatic, sort, kpl.	Pull matic black compl.	
3	012926	8	Skrue	Screw	
4	012350	8	Mutter	Nut	



For more details see page 29-30

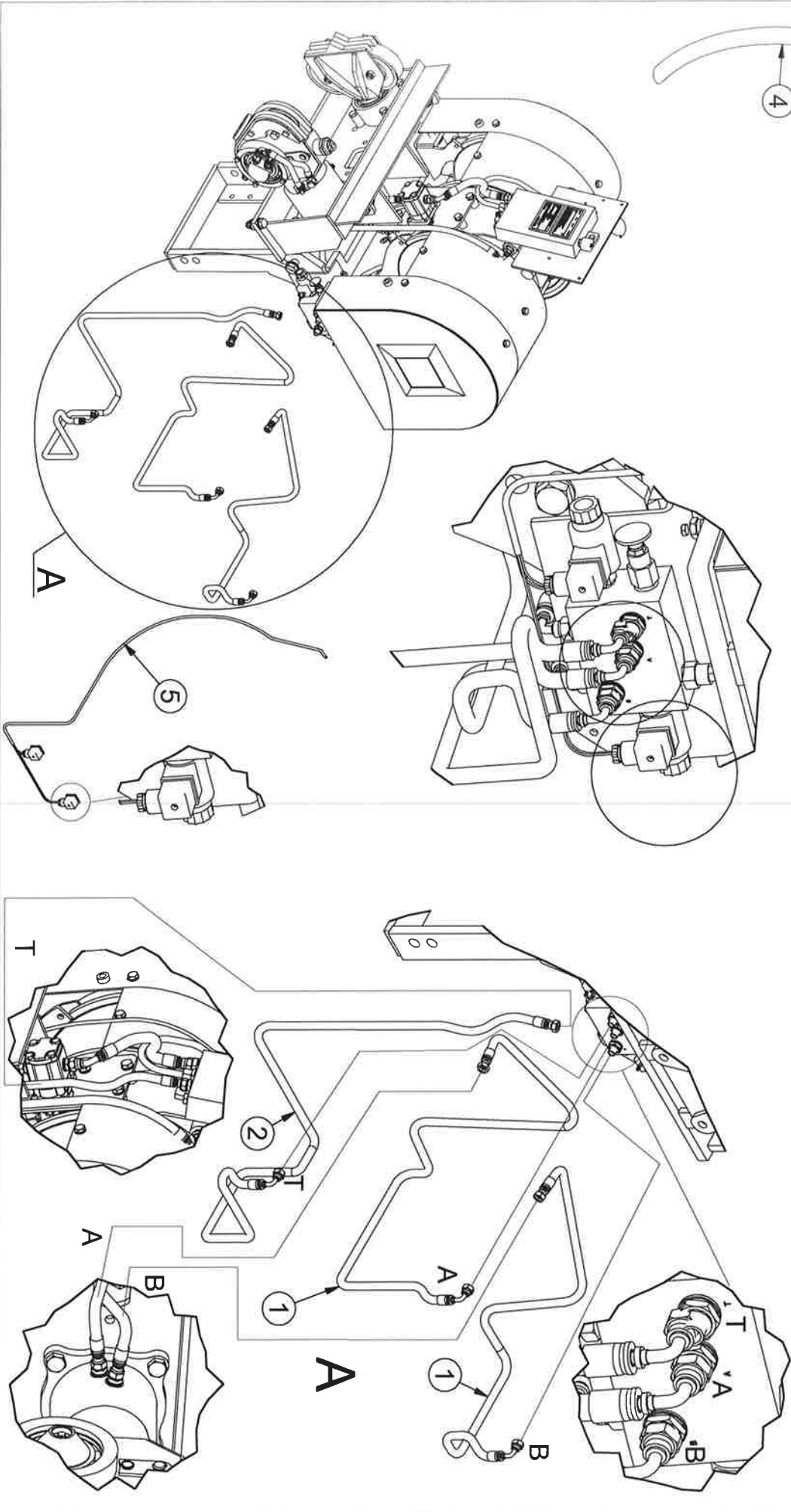
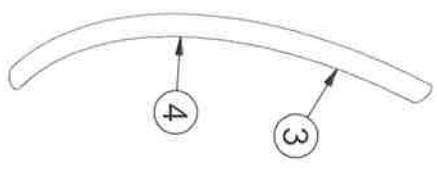


RESERVEDELSLISTE - SPARE PARTS LIST - ERSATZTEILLISTE					
Pos	Art.No.	No	Beskrivelse	Description	Bezeichnung
1	165174	1	Blokkhus	Blockhouse	
2	026014	3	Lager	Bearing	
3	165176	1	Lagerholder	Bearinghouse	
4	026013	1	Lager	Bearing	
5	026756	1	Seegerring	Circlip	
6	165178	1	Sidedeksel sort 1 stk pullmatic	Sidecover black 1 stk pullmatic	
	165179	1	Sidedeksel rød 2 stk pullmatic	Sidecover red 2 stk pullmatic	
7	012798	4	Skruer	Screw	
8	012253	1	Skrue	Screw	
9	012274	2	Skive	Washer	
10	165180	1	Sidedeksel rød 1 stk pullmatic	Sidecover black 1 stk pullmatic	
	165181	1	Sidedeksel rød 2 stk pullmatic	Sidecover red 2 stk pullmatic	
11	012270	1	Mutter	Nut	
12	165182	1	Beskyttelsesdeksel sort 1 stk pullmatic	Protection cover black 1 pc. pullmatic	
	165183	1	Beskyttelsesdeksel rød 2 stk pullmatic	Protection cover red 2 pc. pullmatic	
13	012758	3	Skrue	Screw	
14	012194	3	Skive	Washer	
15	164168	1	Oljemotor	Oilengine	
16	164169	1	Kile	Wedge	
17	026925	1	Seegerring	Circlip	
18	165154	1	Shims	Shims	
19	165124	1	Trinse med tankrans	Pully	
20	165122	1	Hylse	Sleeve	
21	165158	1	Skive, spesial	Washer	
22	012215	1	Skive	Washer	
23	012676	1	Skrue	Screw	
24	165156	1	Skive, wirestopper	Washer wirestop	
25	026709	4	Seegerring	Circlip	
26	165128	2	Sideplate	Side plate	
27	165130	2	Skive, firkant	Washer Square	

RESERVEDELSLISTE - SPARE PARTS LIST - ERSATZTEILLISTE					
Pos	Art.No.	No	Beskrivelse	Description	Bezeichnung
28	165138	2	Avstandshylse	Distance sleeve	
29	165126	1	Pressrull	Press roll	
30	026005	2	Lager	Bearing	
31	031054	1	Shims	Shims	
32	026865	1	Seegerring	Circlip	
33	165136	1	Bolt	Bolt	
34	012292	1	Skrue	Screw	
35	155925	1	Hylse	Sleeve	
36	026062	2	Lager	Bearing	
37	165146	1	Trinse	Pully	
38	026900	1	Seegerring	Circlip	
39	012311	1	Mutter	Nuts	
40	165134	1	Bolt	Bolt	
41	165144	1	Strammebolt	Tighten bolt	
42	027228	1	Fjær	Spring	
43	165142	1	Strammeskru	Tighten screw	
44	165140	1	Mutter, spesial	Nut special	
45	025090	1	Pakingssett, kpl.	Gasket sets	

RESERVEDELSLISTE - SPARE PARTS LIST - ERSATZTEILLISTE

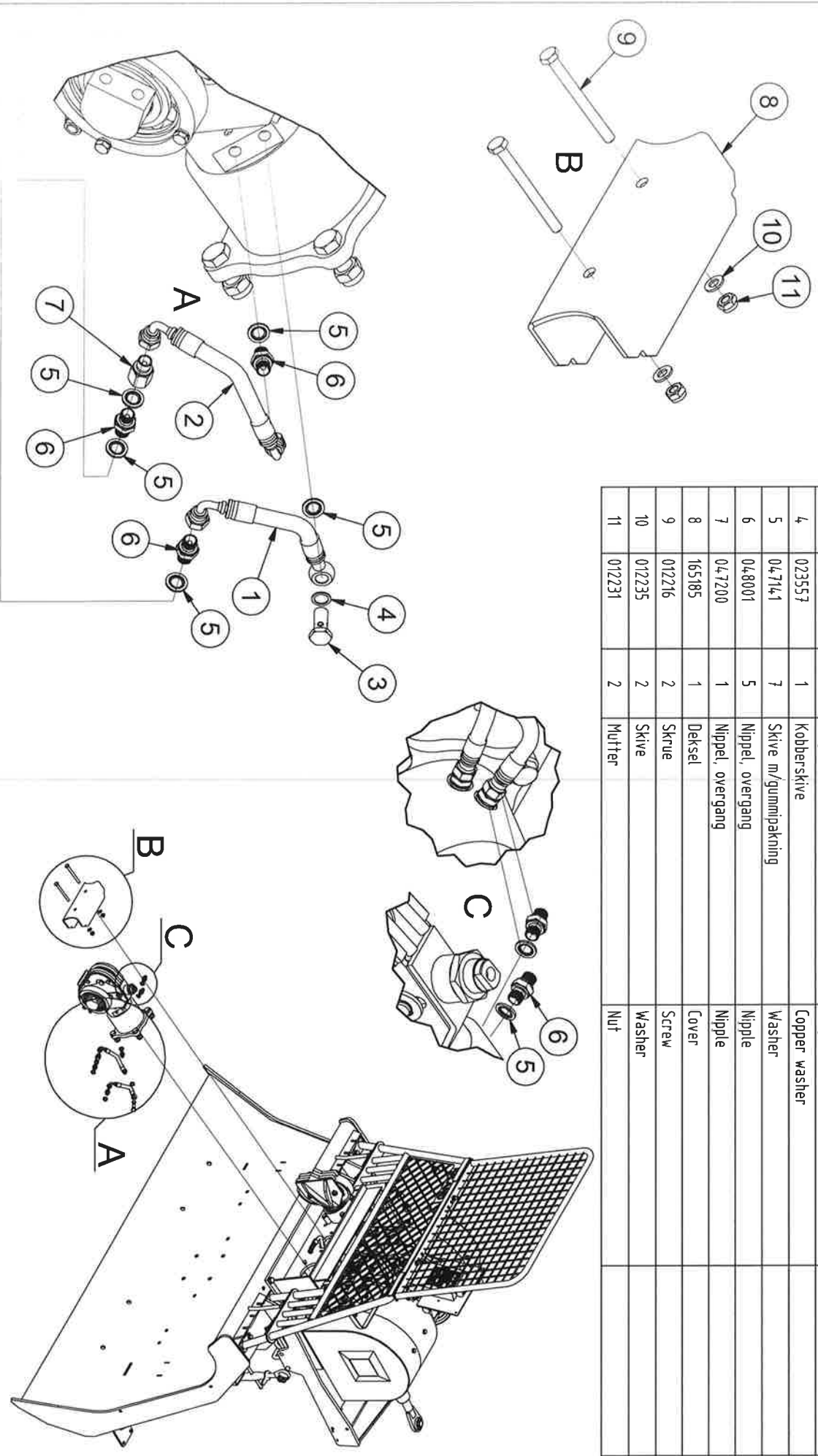
Pos	Art.No.	No	Beskrivelse	Description	Bezeichnung
1	057342	2	Slange	Hose	
2	057311	1	Slange	Hose	
3	017578	1	Slangebeskyttelse Slange A/B	Hoseprotection hose A/B	
4	017575	1	Slangebeskyttelse Slange T	Hoseprotection hose T	
5	165160	1	Kabel m/ kontakter	Cable w/ contacts	

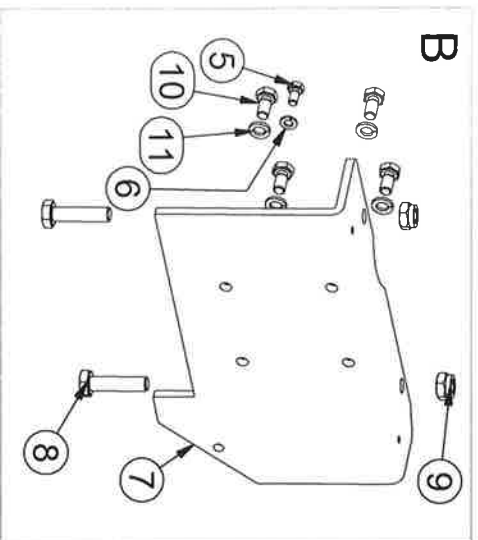




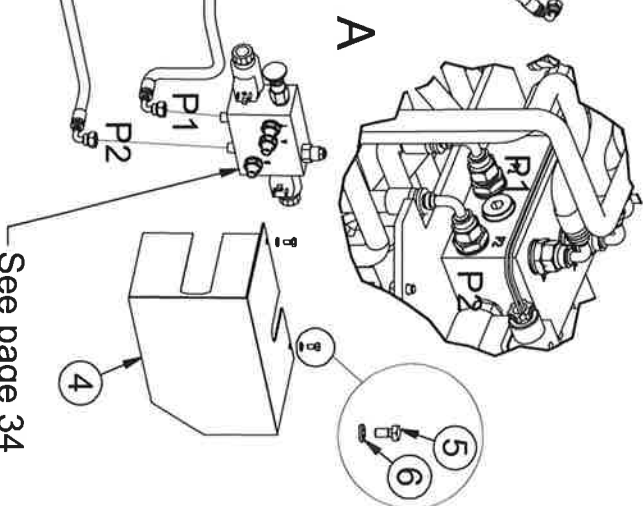
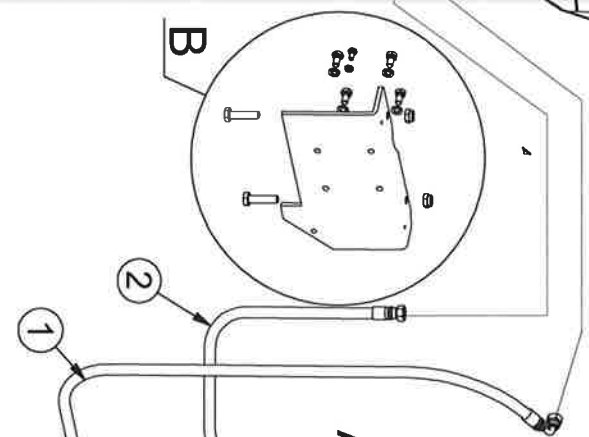
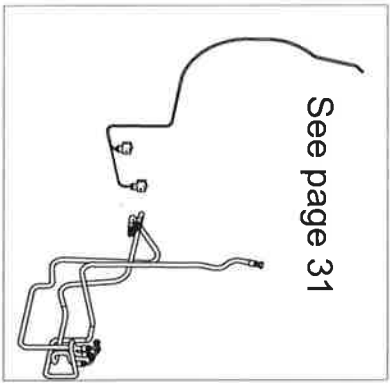
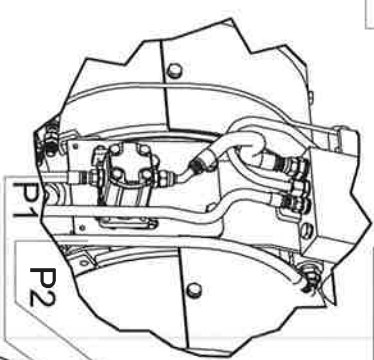
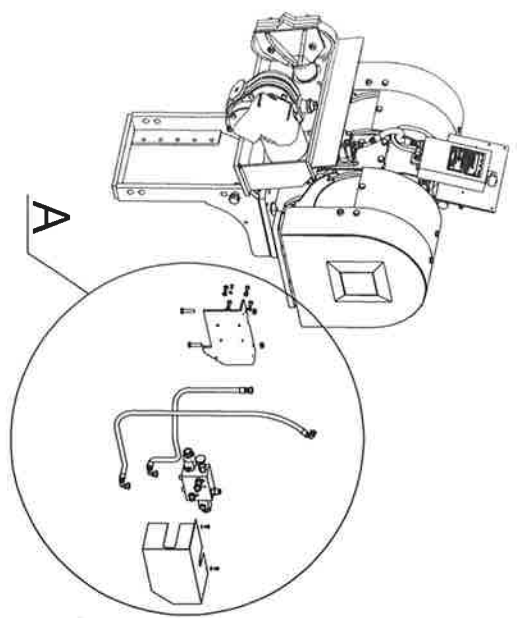
RESERVEDELSLISTE - SPARE PARTS LIST - ERSATZTEILLISTE

Pos	Art.No.	No	Beskrivelse	Description	Bezeichnung
1	057455	1	Slange	Hose	
2	057633	1	Slange	Hose	
3	055071	1	Banjobolt	Banjo bolt	
4	023557	1	Kobberskive	Copper washer	
5	047141	7	Skive m/gummipakning	Washer	
6	048001	5	Nippel, overgang	Nipple	
7	047200	1	Nippel, overgang	Nipple	
8	165185	1	Deksel	Cover	
9	012216	2	Skrue	Screw	
10	012235	2	Skive	Washer	
11	012231	2	Mutter	Nut	



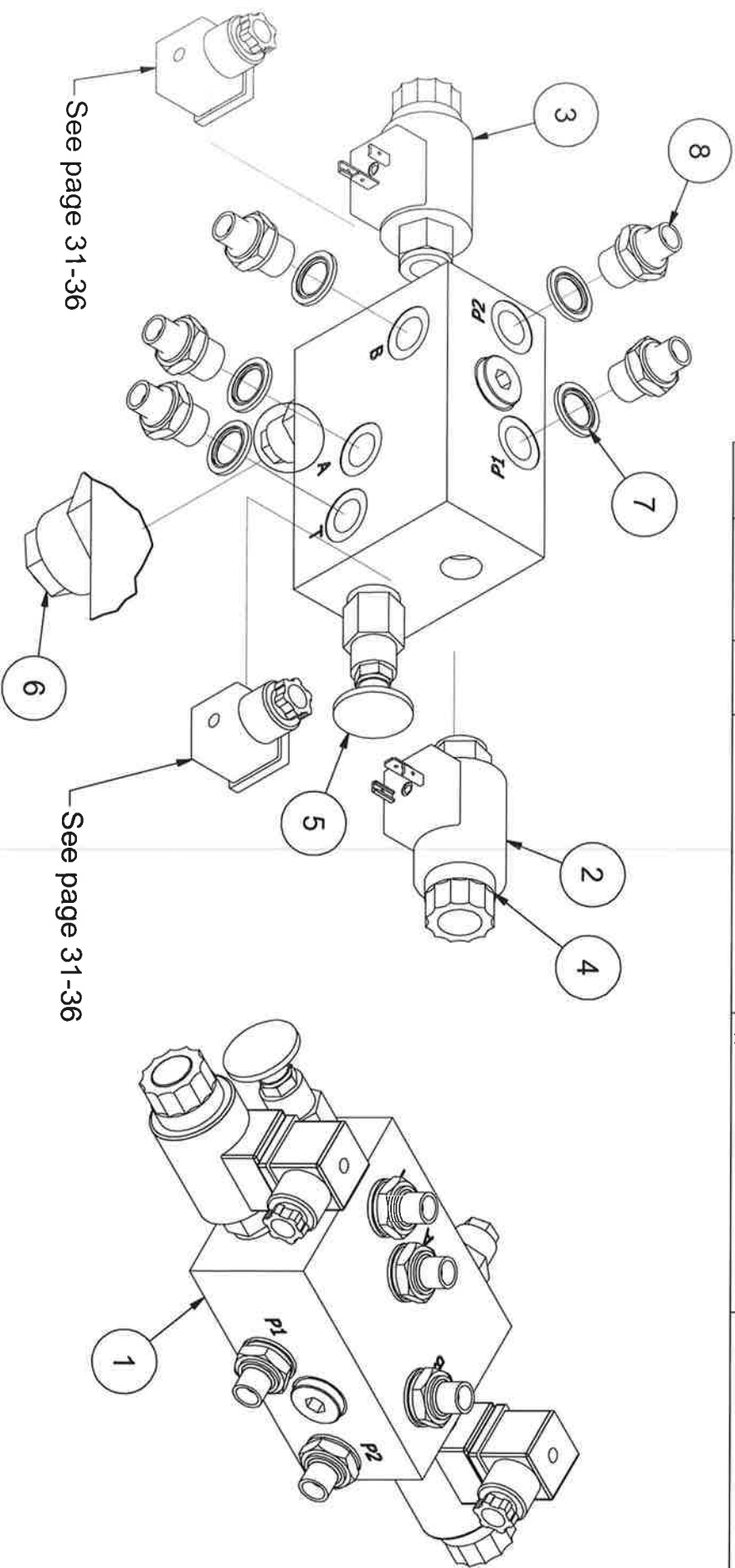


RESERVEDELSLISTE - SPARE PARTS LIST - ERSATZTEILLISTE					
Pos	Art.No.	No	Beskrivelse	Description	Bezeichnung
1	057634	1	Slange	Hose	
2	057341	1	Slange	Hose	
3	077575	1	Slangebeskyttelse	Hoseprotection	
4	165114	1	Deksel	Cover	
5	012676	3	Skrue	Screw	
6	012115	4	Skive	Washer	
7	165112	1	Brakett	Brackets	
8	012205	2	Skrue	Screw	
9	012231	2	Mutter	Nut	
10	012758	4	Skrue	Screw	
11	012195	4	Skive	Washer	



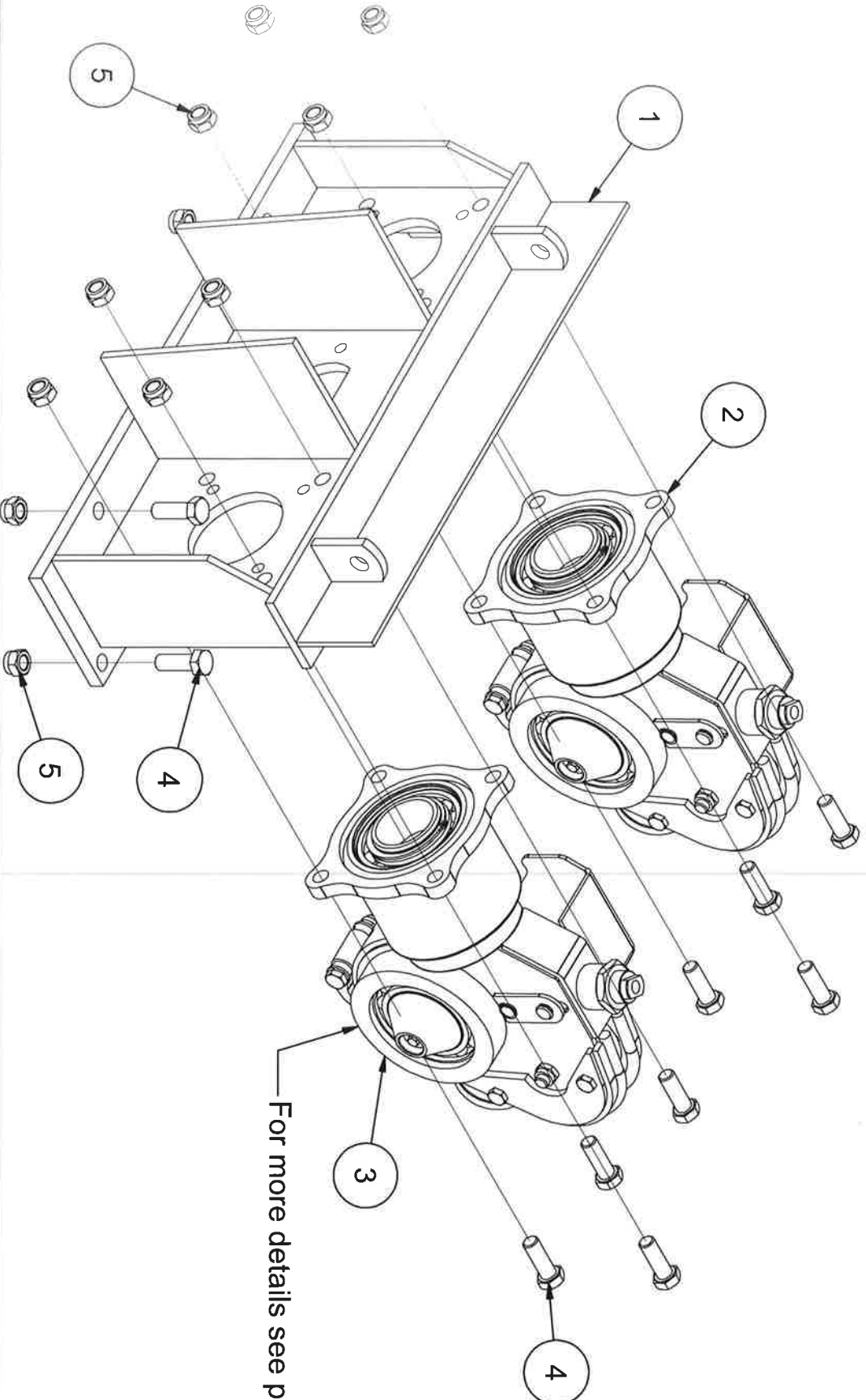
See page 34

RESERVEDELSLISTE - SPARE PARTS LIST - ERSATZTEILLISTE				Bezeichnung
Pos	Art.No.	No	Beskrivelse	Description
1	164166	1	Ventilblokk, kpl.	Valveblock, compl.
2	164172	1	Patron med spole, kpl.	Cartridge coil, compl.
3	164173	1	Patron med spole, kpl.	Cartridge coil, compl.
4	164171	1	Magnetspole	Solenoid
5	164174	1	Trykkventil RDDA	Pressure valve
6	164175	1	Trykkventil ECCA	Pressure valve
7	047142	5	Skive med gummipakning	Washer
8	048004	5	Nippel	Nipple



RESERVEDELSLISTE - SPARE PARTS LIST - ERSATZTEILLISTE

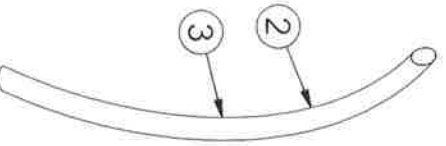
Pos	Art.No.	No	Beskrivelse	Description	Bezeichnung
1	075024	1	Propellerport holder	Propellers port	
2	165170	1	Pullmatic, sort, kpl.	Pullmatic, black, compl.	
3	165172	1	Pullmatic, rød, kpl.	Pullmatic, red, compl.	
4	012926	12	Skrue	Screw	
5	012350	12	Mutter	Nut	



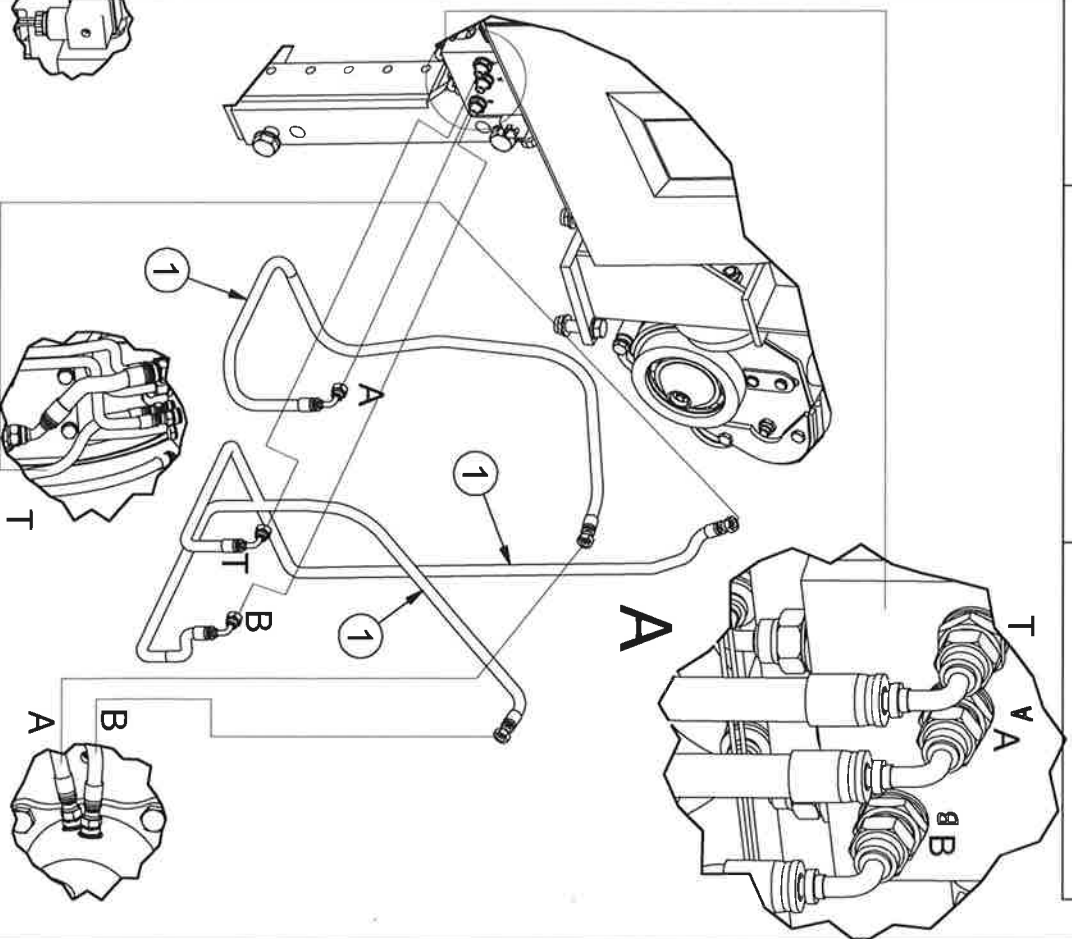
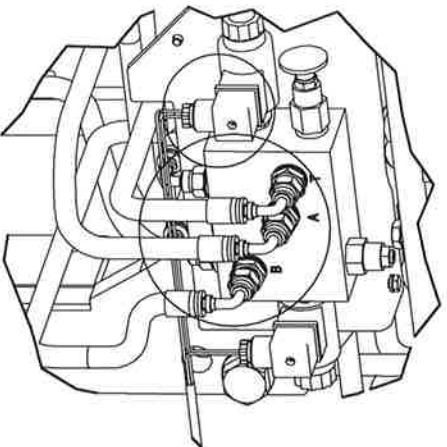
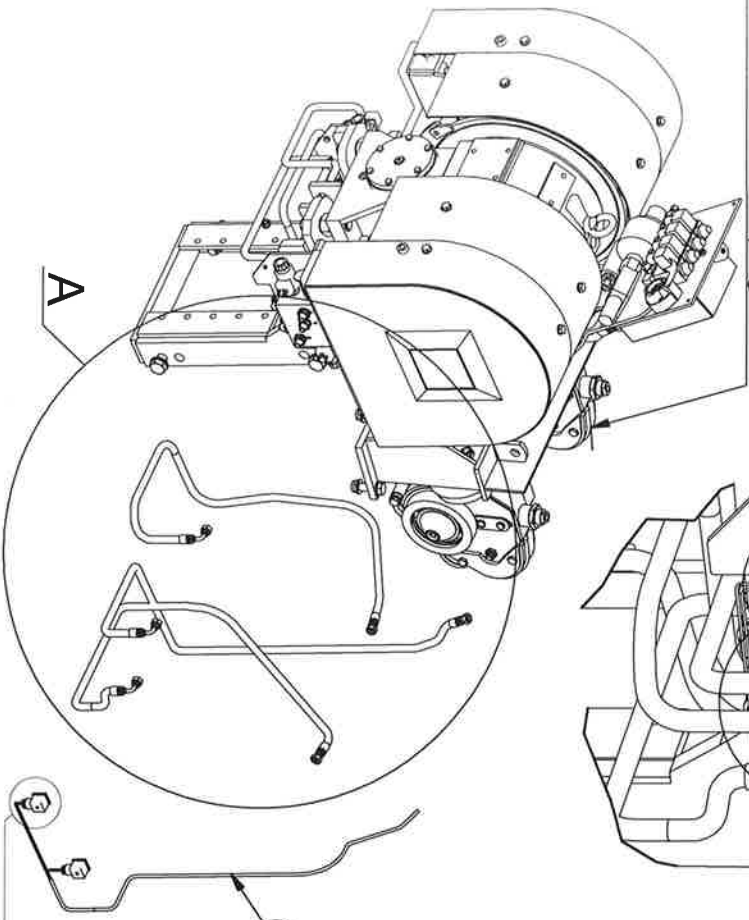
For more details see page 29-30

RESERVEDELSLISTE - SPARE PARTS LIST - ERSATZTEILLISTE

Pos	Art.No.	No	Beskrivelse	Description	Bezeichnung
1	057342	3	Slange	Hose	
2	017578	1	Slangebeskyttelse Slange A/B	Hoseprotection hose A/B	
3	017575	1	Slangebeskyttelse Slange T	Hoseprotection hose T	
4	165161	1	Kabel m/ kontakter	Cable w/contacts	

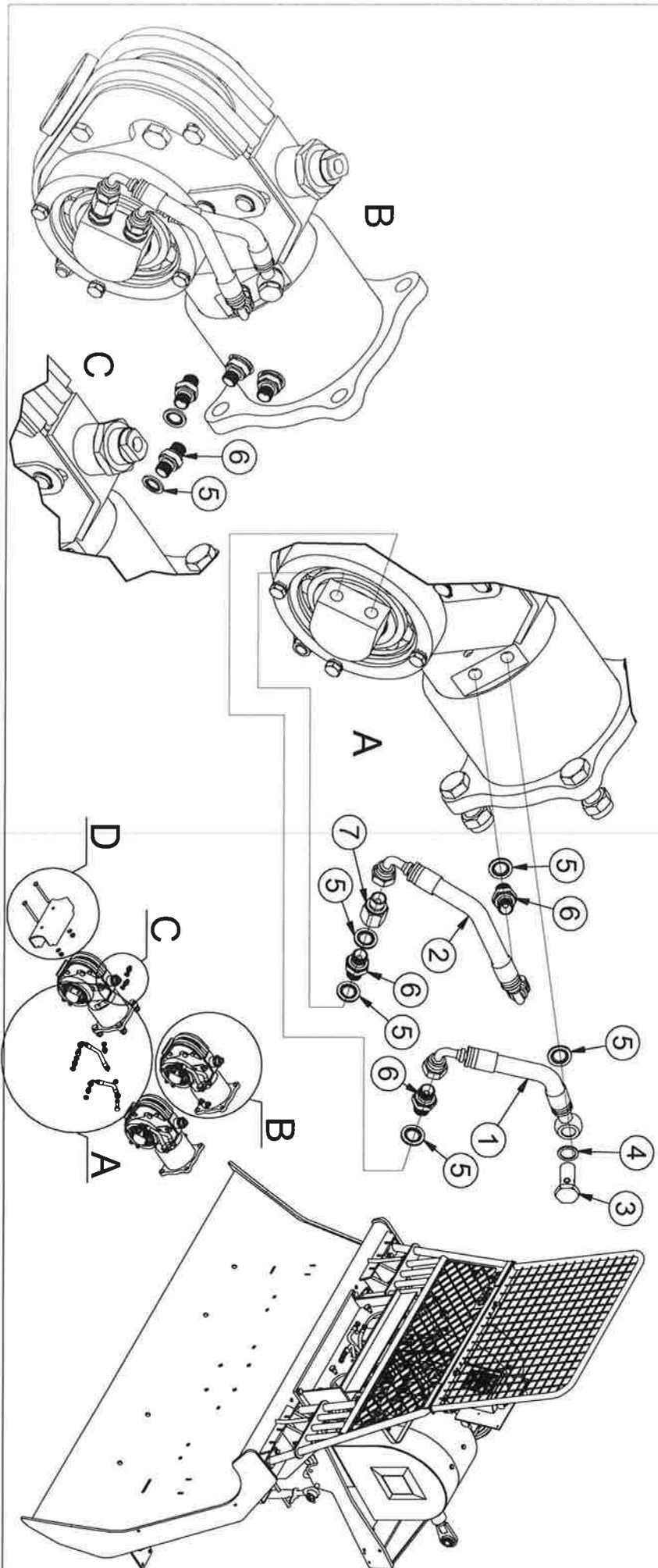
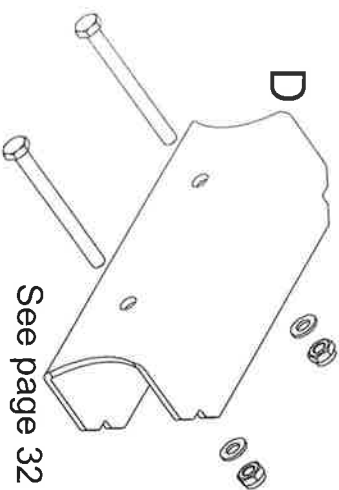


Black side see page 39



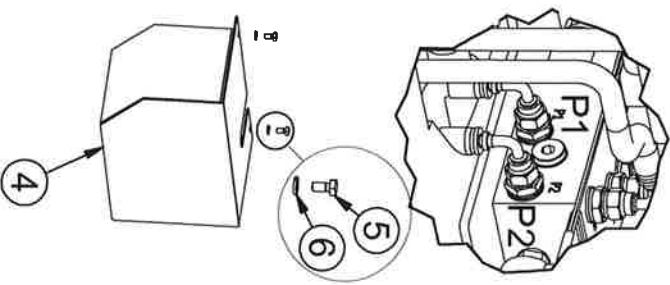
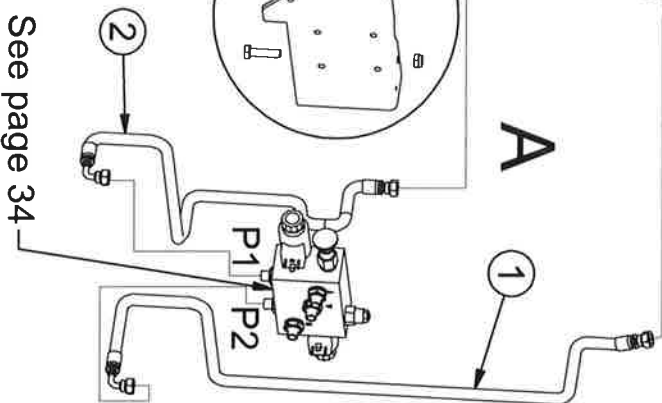
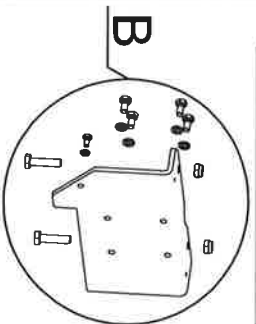
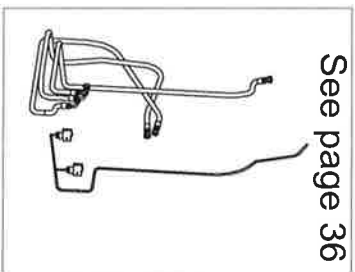
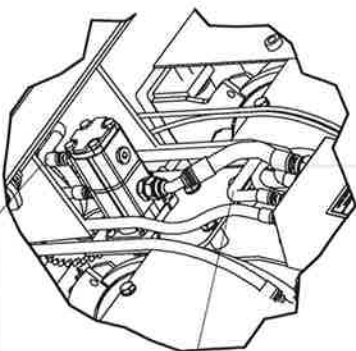
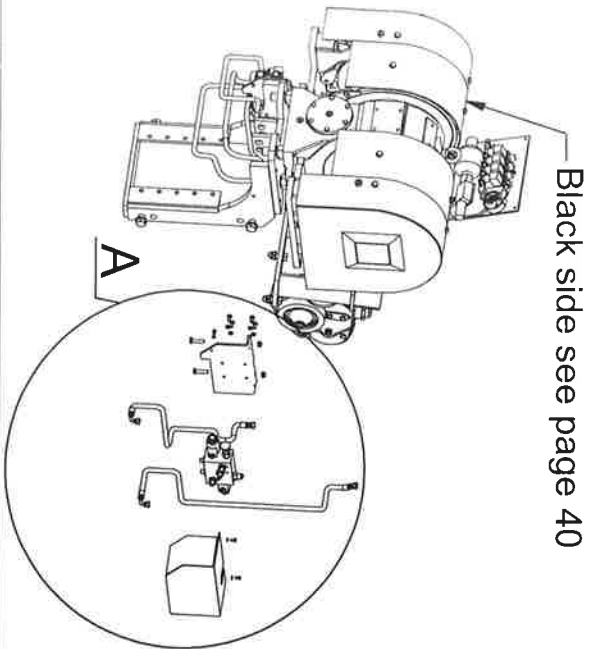
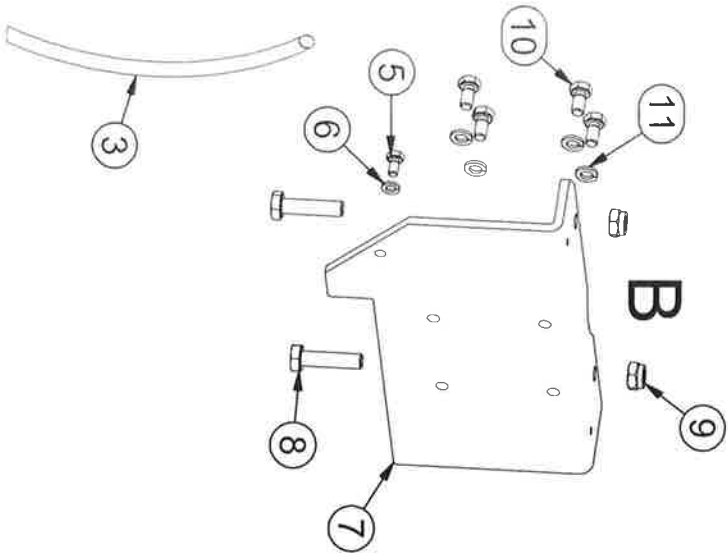
RESERVEDELSLISTE - SPARE PARTS LIST - ERSATZTEILLISTE

Pos	Art.No.	No	Beskrivelse	Description	Bezeichnung
1	057455	2	Slange	Hose	
2	057633	2	Slange	Hose	
3	055071	2	Banjobolt	Banjo bolt	
4	023557	12	Kobberskive	Copper washer	
5	047141	14	Skive m/ gummipakning	Washer	
6	048001	10	Nippel, overgang	Nipple	
7	047200	2	Nippel, overgang	Nipple	



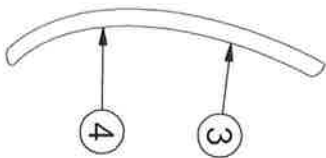
RESERVEDELSLISTE - SPARE PARTS LIST - ERSATZTEILLISTE

Pos	Art.No.	No	Beskrivelse	Description	Bezeichnung
1	051342	1	Slange	Hose	
2	051341	1	Slange	Hose	
3	017575	1	Slangebeskyttelse	Hoseprotection	
4	165115	1	Deksel	Cover	
5	012676	3	Skrue	Screw	
6	012115	3	Skive	Washer	
7	165113	1	Brakett	Brackets	
8	012205	2	Skrue	Screw	
9	012231	2	Mutter	Nut	
10	012758	4	Skrue	Screw	
11	012195	4	Skive	Washer	

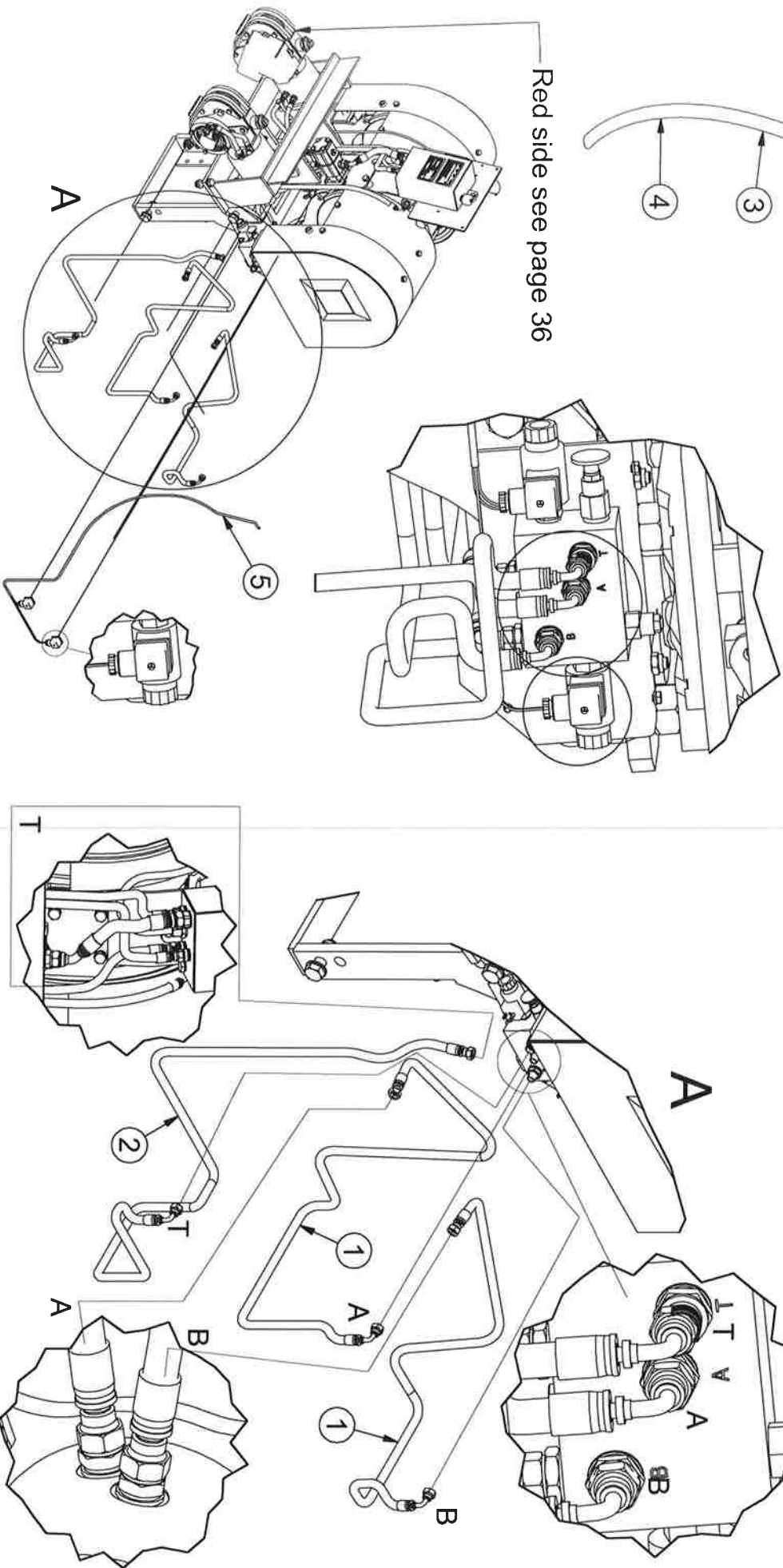


RESERVEDELISTE - SPARE PARTS LIST - ERSATZTEILLISTE

Pos	Art.No.	No	Beskrivelse	Description	Bezeichnung
1	05734,2	2	Slange	Hose	
2	057311	1	Slange	Hose	
3	017578	1	Slangebeskytter Slange A/B	Hoseprotection hose A/B	
4	017575	1	Slangebeskytter Slange T	Hoseprotection hose T	
5	165160	1	Kabel m/kontakter	Cable w/contacts	



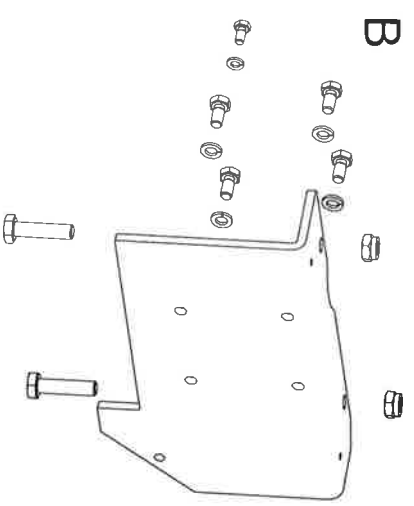
Red side see page 36



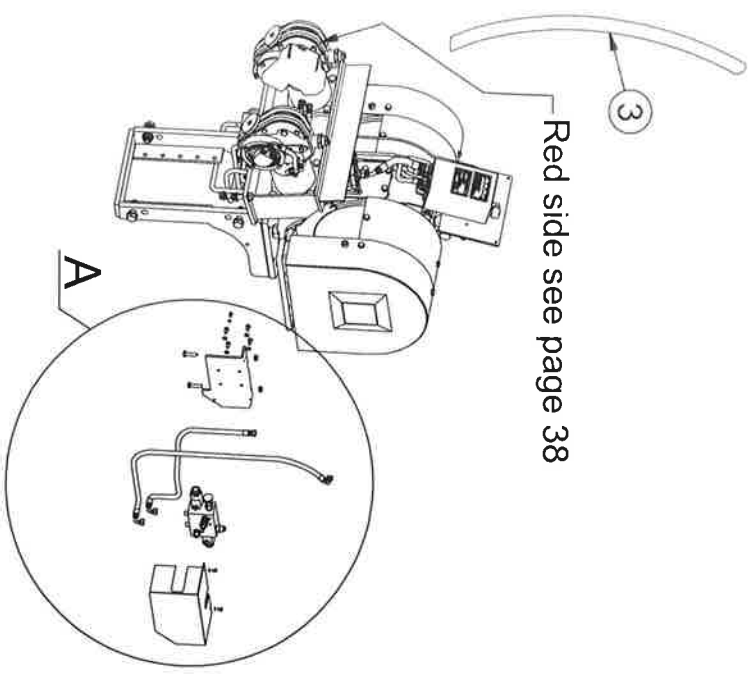


RESERVEDELISTE - SPARE PARTS LIST - ERSATZTEILLISTE

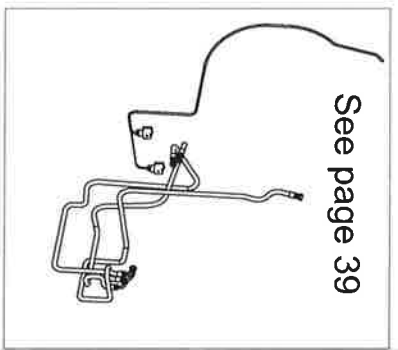
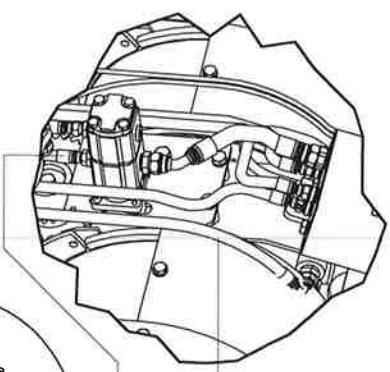
Pos	Art.No.	No	Beskrivelse	Description	Bezeichnung
1	051634	1	Slange	Hose	
2	051341	1	Slange	Hose	
3	017575	1	Slangebaskyttelse	Hoseprotection	
4	165114	1	Deksel	Cover	
5	012676	1	Skrue	Screw	
6	012115	1	Skive	Washer	



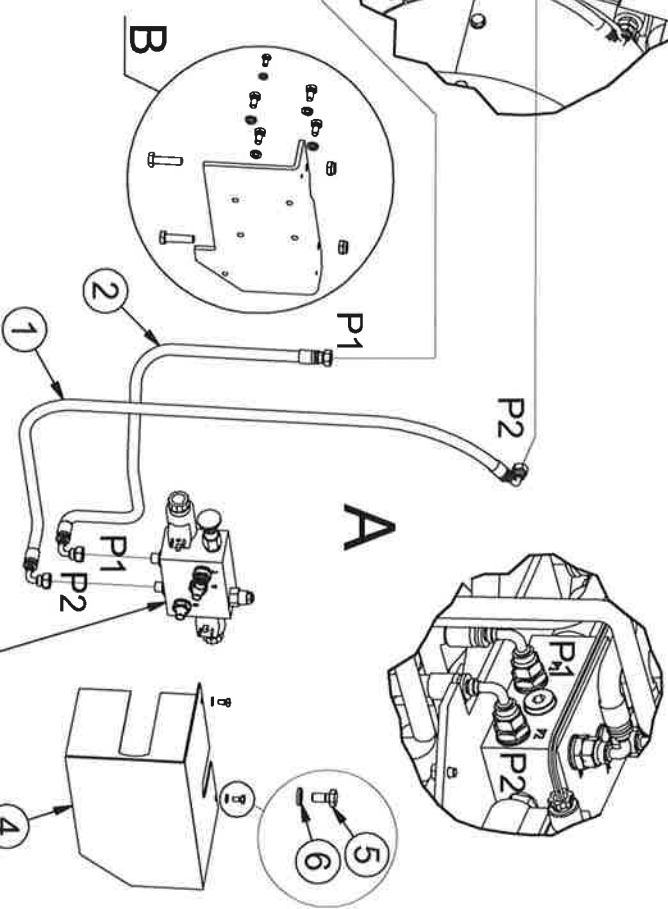
See page 33



Red side see page 38



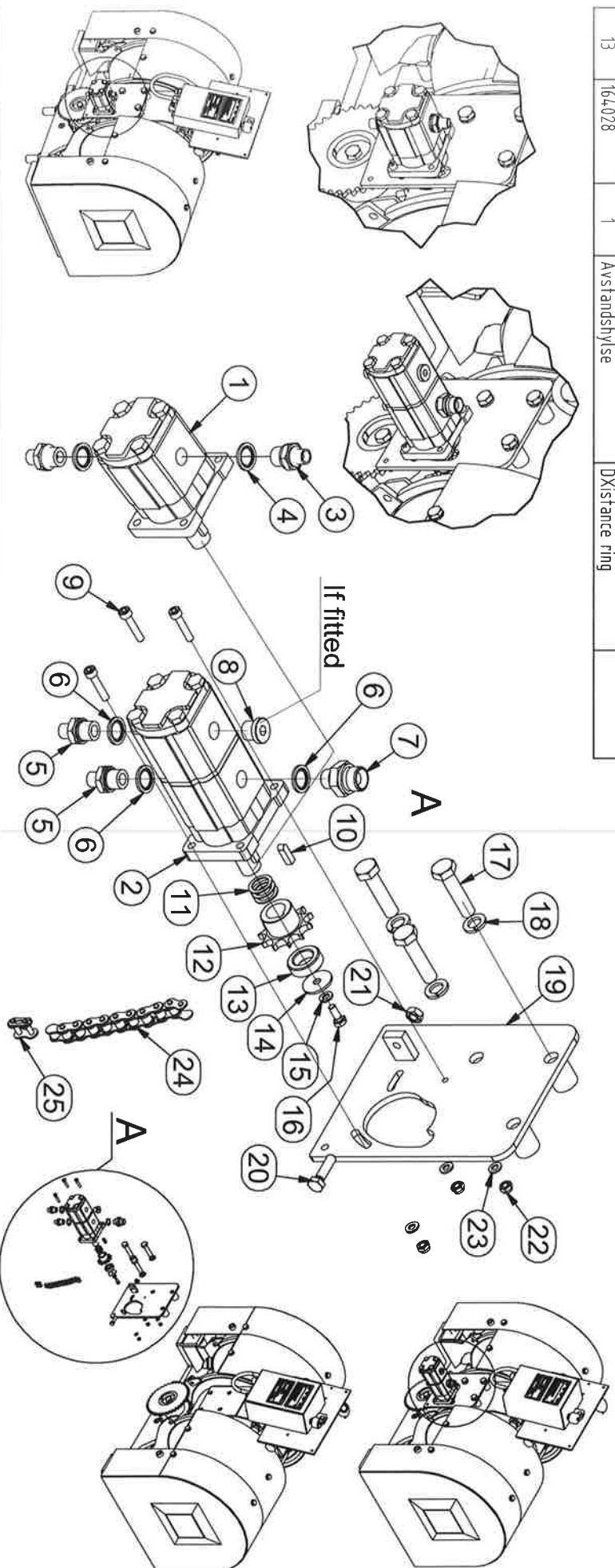
See page 39



See page 34

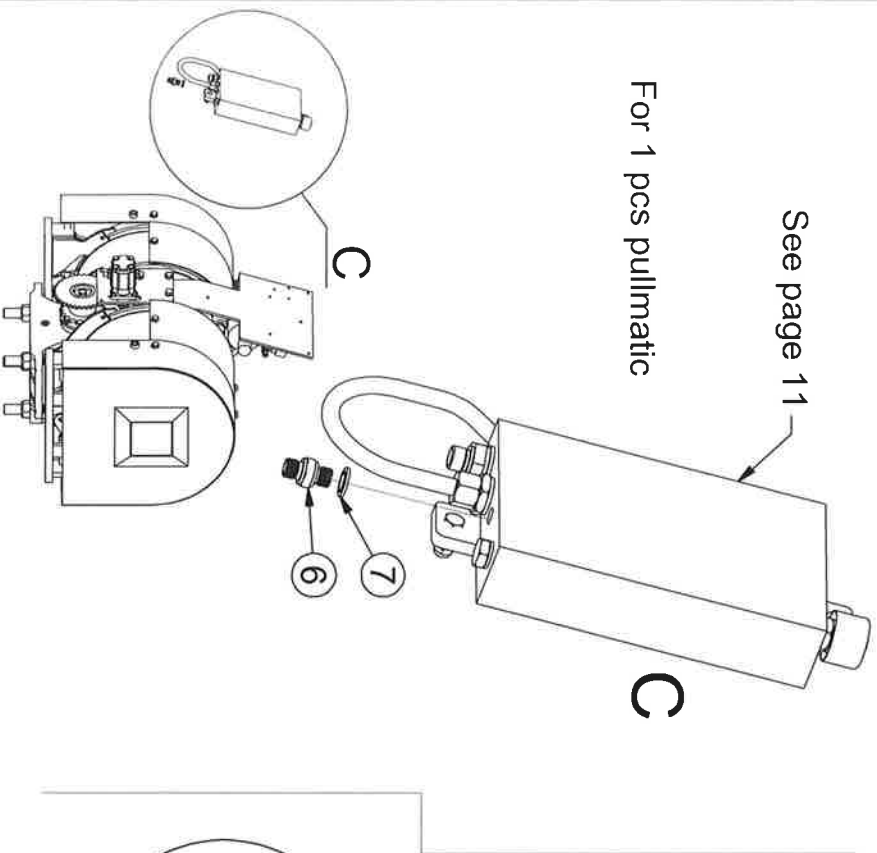
RESERVEDELISTE - SPARE PARTS LIST - ERSATZTEILLISTE					
Pos	Art.No.	No	Beskrivelse	Description	Bezeichnung
1	083031	1	Oljepumpe 1stk pulmatic	Oil pump 1 pc pulmatic	
2	083032	1	Oljepumpe 2 stk pulmatic	Oil pump 2 pc pulmatic	
3	048004	2	Nippel	Nipple	
4	047142	2	Skive	Washer	
5	048004	2	Nippel	Nipple	
6	047142	3	Skive	Washer	
7	048010	1	Nippel	Nipple	
8	049727	1	Plugg	Plug	
9	015838	3	Skruer	Screw	
10	083003	1	Kile	Wedge	
11	030684	2	Shims	Shims	
12	062322	1	kjedehjul 1/2" 11 tenner	Chainwheel 1/2" 11 t	
13	164028	1	Avstandshylse	Distance ring	

RESERVEDELISTE - SPARE PARTS LIST - ERSATZTEILLISTE					
Pos	Art.No.	No	Beskrivelse	Description	Bezeichnung
14	012113	1	Skive	Washer	
15	012115	1	Skive, spreng	Washer	
16	012678	1	Skrue	Screw	
17	012247	4	Skrue	Screw	
18	012275	4	Skive	Washer	
19	165044	1	Pumpebrakett	Pump bracket	
20	012763	1	Skrue	Screw	
21	012197	1	Mutter	Nut	
22	012118	3	Mutter	Nut	
23	012114	4	Skive	Washer	
24	208119	1	Kjede	Chain	
25	208100	1	Kjedelås	Chain lock	

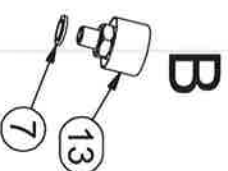


RESERVEDELSLISTE - SPARE PARTS LIST - ERSATZTEILLISTE				
Pos	Art.No.	No	Beskrivelse	Bezeichnung
1	165187	1	Oljetank	Oil tank
2	391929	1	Klebermerke	Sticker
3	391930	1	Klebermerke	Sticker
4	165043	1	Rør	Tube
5	034135	1	Snittringskobling	Cutringcoupler
6	048001	1/3	Nippel 1 stk pullm./2 stk pullm.	Nipple
7	047141	1/4	Skive 1 stk pullm./2 stk pullm.	Washer
8	048014	1	Nippel	Nipple

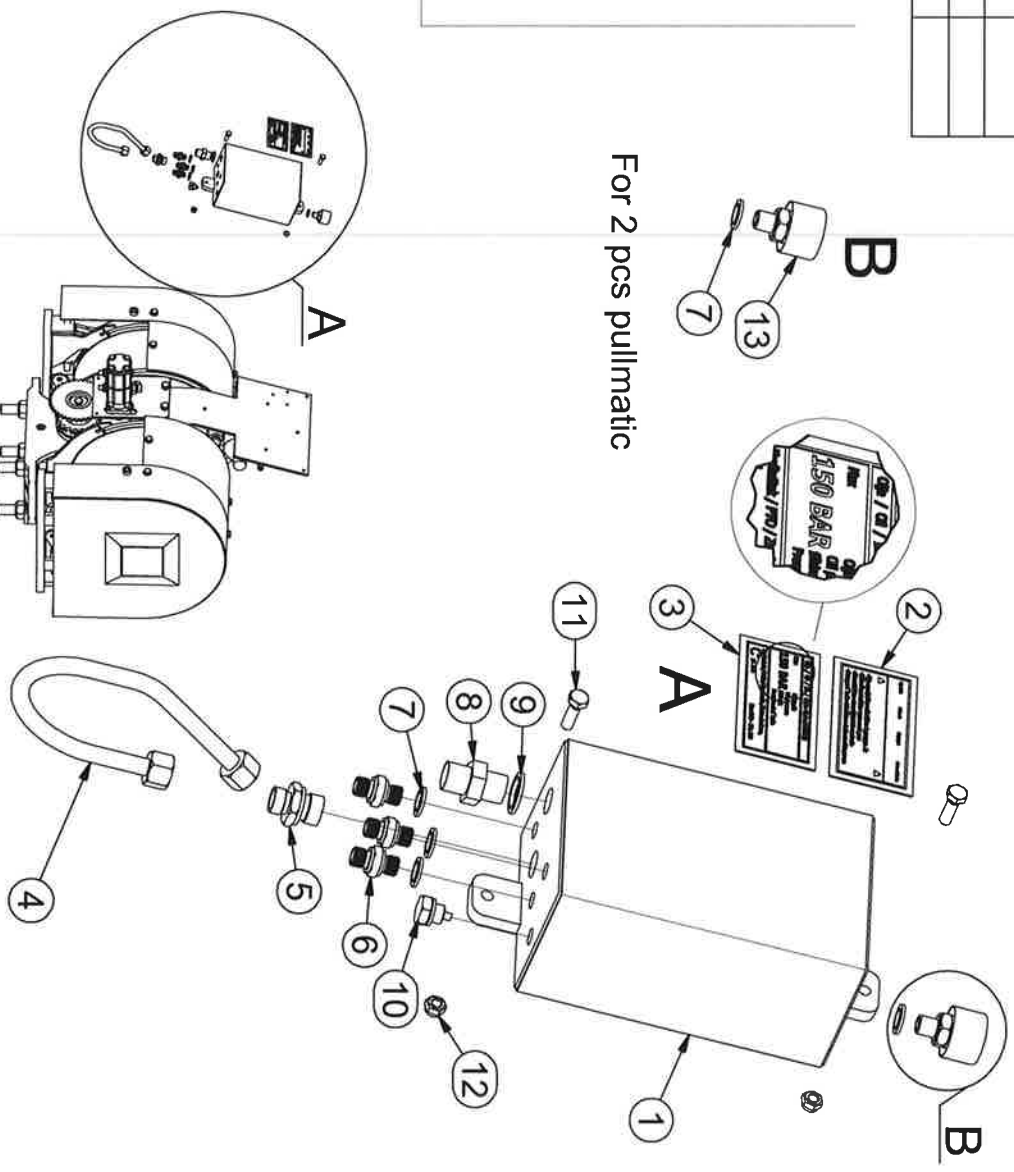
RESERVEDELSLISTE - SPARE PARTS LIST - ERSATZTEILLISTE					
Pos	Art.No.	No	Beskrivelse	Description	Bezeichnung
9	047143	1	Skive	Washer	
10	049910	1	Plugg magnet	Plug magnet	
11	012762	2	Skrue	Screw	
12	012198	2	Mutter	Nut	
13	090085	1	Filter	Filter	



For 1 pcs pullmatic

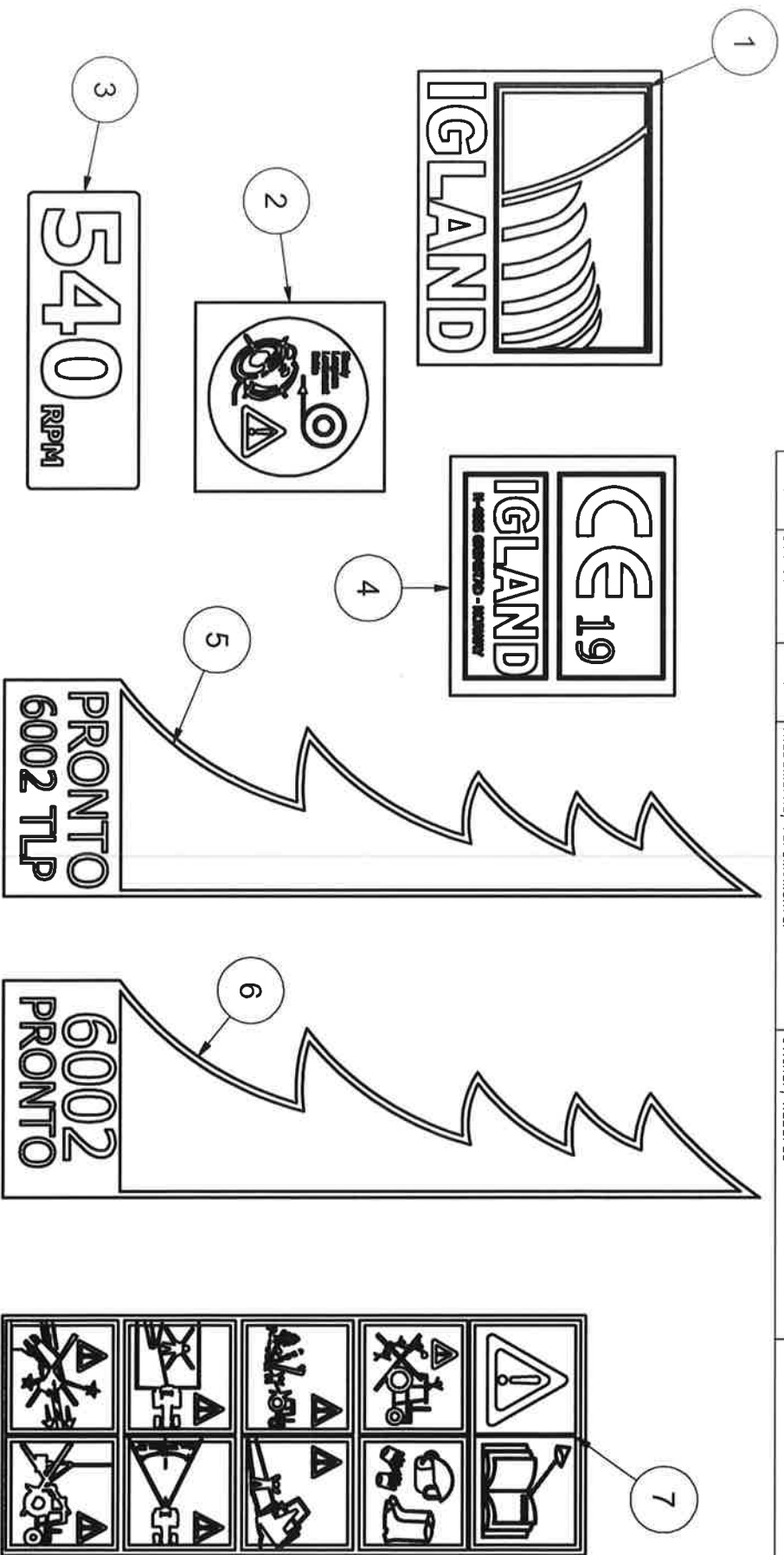


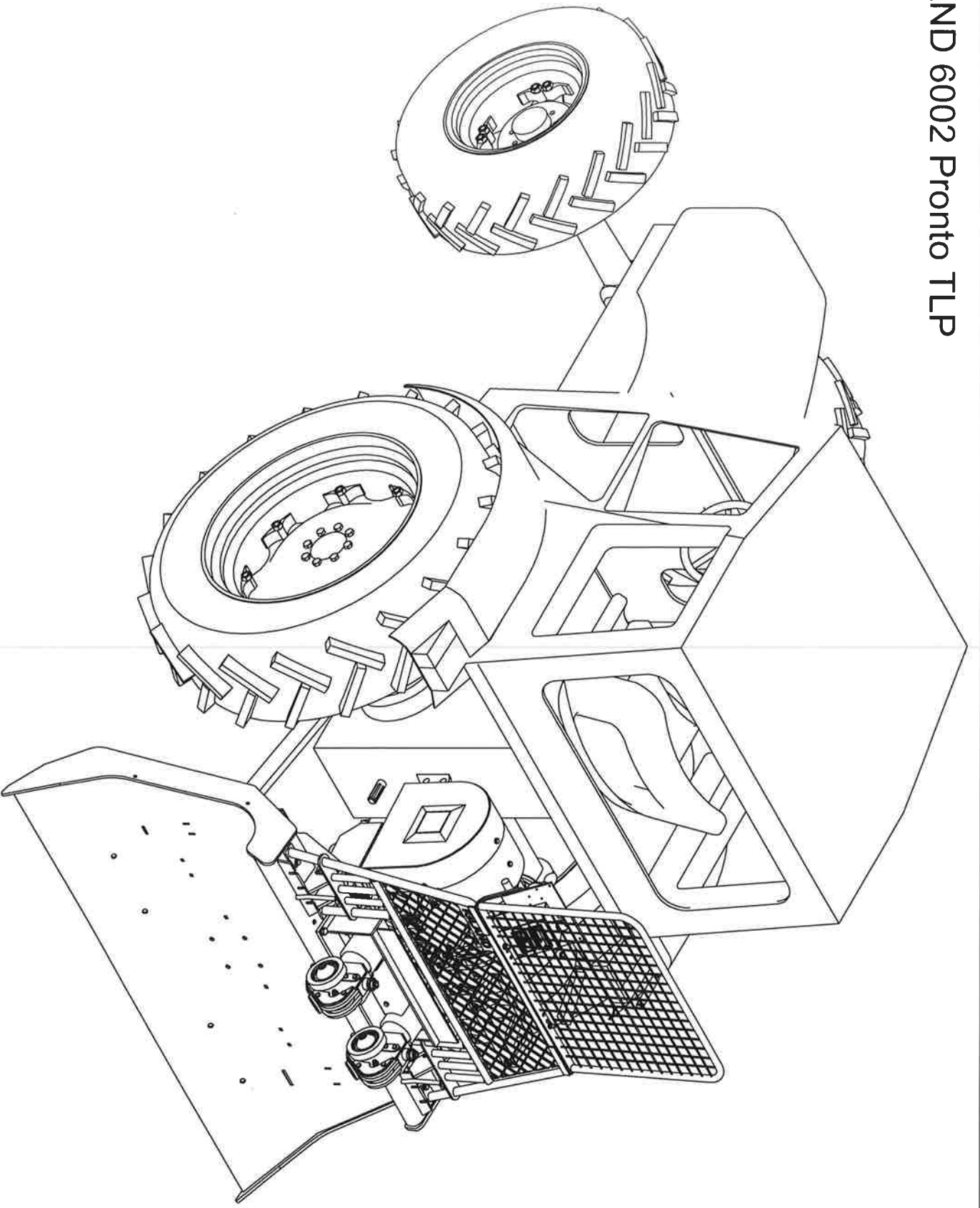
For 2 pcs pullmatic



## RESERVEDELSLISTE - SPARE PARTS LIST - ERSATZTEILLISTE

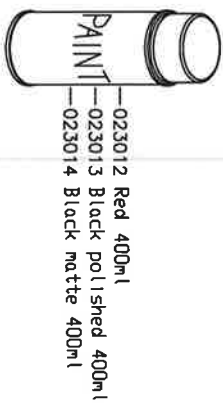
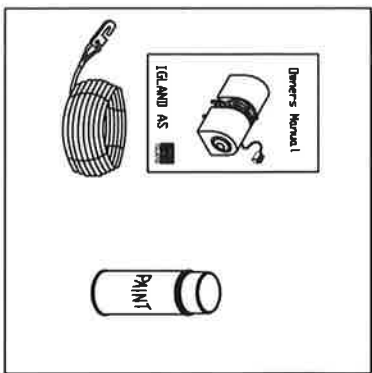
Pos	Art.No.	No	Beskrivelse	Description	Bezeichnung
1	390815	1	Klebermerke, IGLAND logo	Sticker, IGLAND logo	
2	391918	1	Klebermerke, sakte	Sticker, slowly	
3	391900	1	Klebermerke, 540 RPM	Sticker, 540 RPM	
4	392006	1	Klebermerke, CE (N/A)	Sticker, CE (N/A)	
5	391250	1	Klebermerke, 6002 Pronto TLP	Sticker, 6002 Pronto TLP	
6	391211	1	Klebermerke, 6002 Pronto	Sticker, 6002 Pronto	
7	391931	1	Klebermerke, faremomenter	Sticker, hazards	



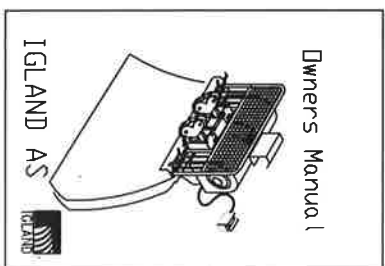


# IGLAND 6002 Pronto TL, TLP and 6002 Pronto Top

## Miscellaneous



—023012 Red 400ml  
 —023013 Black polished 400ml  
 —023014 Black matte 400ml



Dwvners Manual I  
 —390354

WIRE ROPE, 6x26WS+IWRC 180 kp, 12 mm



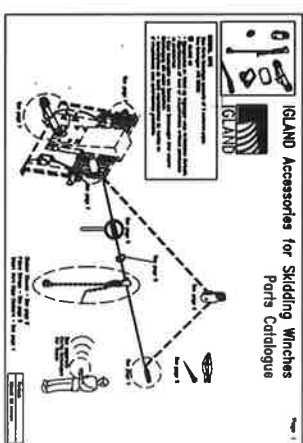
—200180 35 m  
 —200181 50 m  
 —200182 70 m  
 —200183 80 m

WIRE ROPE, according to ISO 4254-4



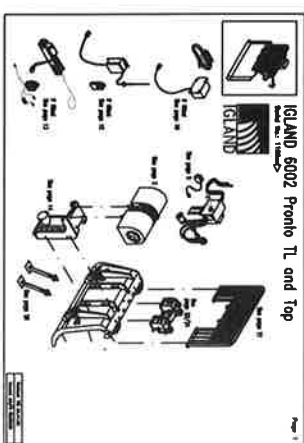
PTU Shaft+  
 —209140  
 W2400

### Parts Catalogue Accessories for Skidding Winches



—390601

### Parts Catalogue



—390355